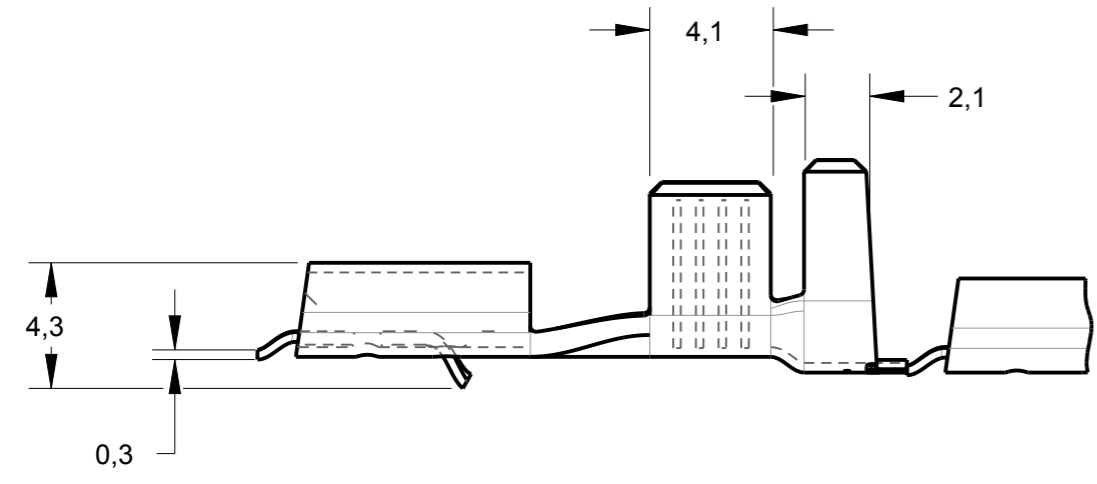
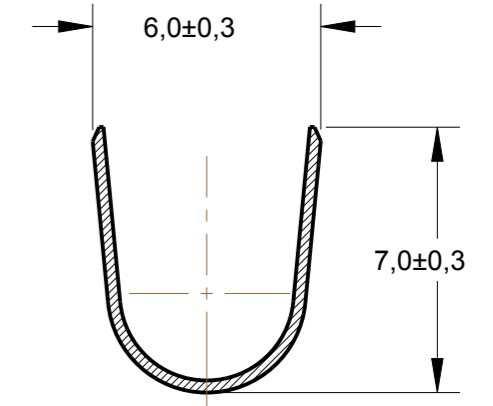
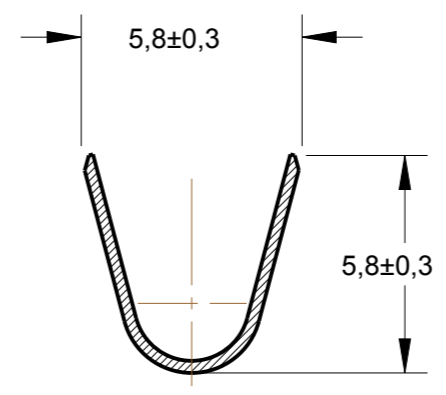
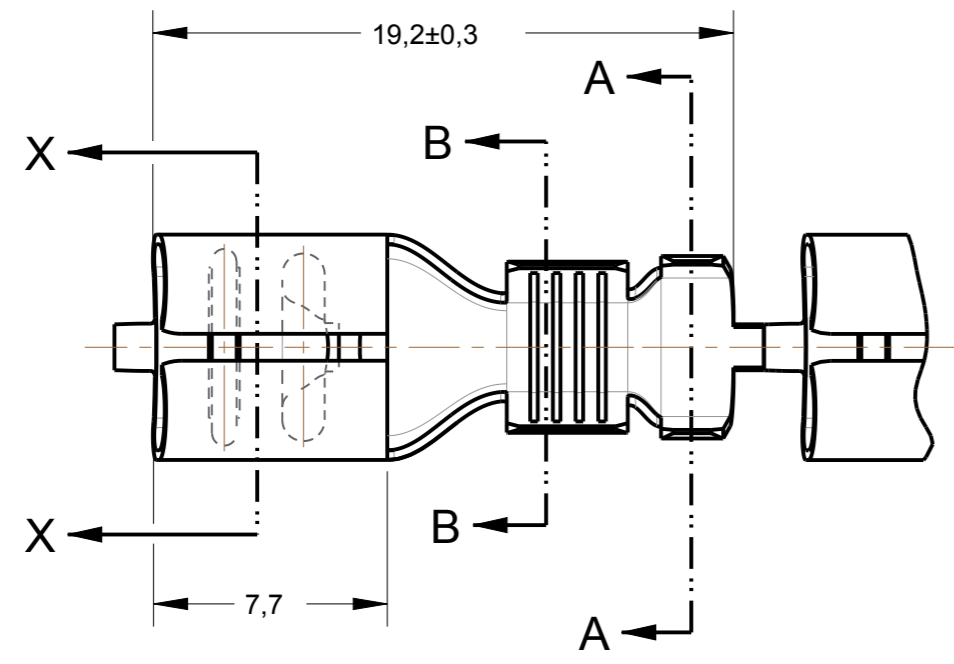


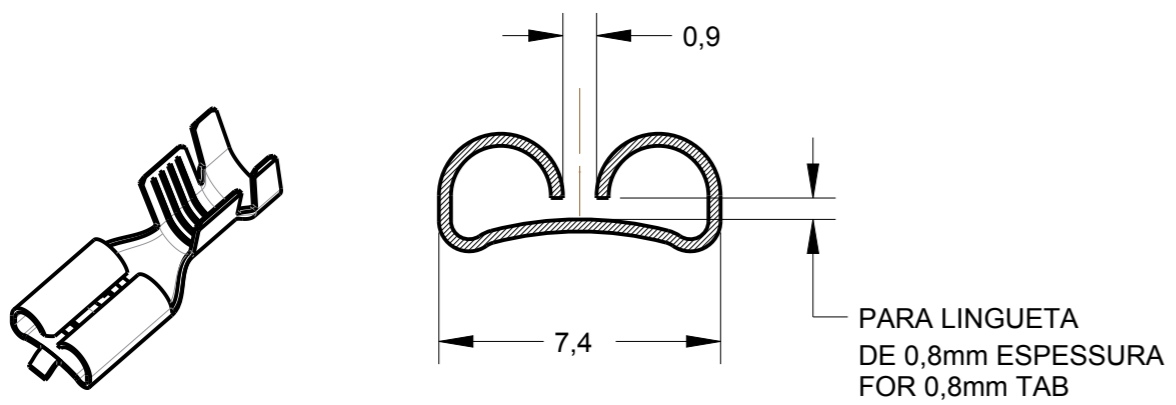
THIS DRAWING IS UNPUBLISHED. RELEASED FOR PUBLICATION 2012
 © COPYRIGHT2012 BY TE CONNECTIVITY ALL RIGHTS RESERVED.

REVISIONS					
P	LTR	DESCRIPTION	DATE	DWN	APVD
	G2	REDRAW BY CAD ECO-15-013548	22SEP2015	NCL	DAO
	G3	REVISED DRAWING ECO-18-014178	11SEP2018	NCL	JMN



1 - OBSOLETE PARTS: OBSOLETE CIS STREAMLING PER D.RENAUD/D.SINISI

OBSOLETE	626362-6	PLATEADO/SILVER PLATED	BRONZE FOSF./PHOSP BRONZE	626328-6
OBSOLETE	626362-5	PLATEADO/SILVER PLATED	BRONZE FOSF./PHOSP BRONZE	626328-5
OBSOLETE	626362-4	ESTANHADO / TIN PLATED	BRONZE FOSF./PHOSP BRONZE	626328-4 1
OBSOLETE	626362-3	PLATEADO/SILVER PLATED	LATÃO / BRASS	626328-3 1
	626362-2	ESTANHADO / TIN PLATED	LATÃO / BRASS	626328-2
	626362-1	—	LATÃO / BRASS	626328-1



INS.RANGE	WIRE RANGE	PN LOSSE PIECE	FINISH	MATERIAL	PART NUMBER		
∅ 3,4-5,0mm	4,0-6,0mm ²						
THIS DRAWING IS A CONTROLLED DOCUMENT.		DWN 22SEP2015 NCLAPRESA					
DIMENSIONS: mm		CHK 22SEP2015 JRGOLDSCHMIDT					
TOLERANCES UNLESS OTHERWISE SPECIFIED:		APVD 22SEP2015 DAOLIVEIRA					
0 PLC ±- 1 PLC ±0,5 2 PLC ±- 3 PLC ±- 4 PLC ±- ANGLES ±1°		PRODUCT SPEC					
MATERIAL	FINISH	WEIGHT	NAME	SIZE	CAGE CODE	DRAWING NO	RESTRICTED TO
SEE TABLE	SEE TABLE	-	-	A3	00779	C-626328	-
Customer Drawing			SCALE	SHEET	OF	REV	
			3:1	1	1	G3	