

THIS DRAWING IS UNPUBLISHED.

RELEASED FOR PUBLICATION

---

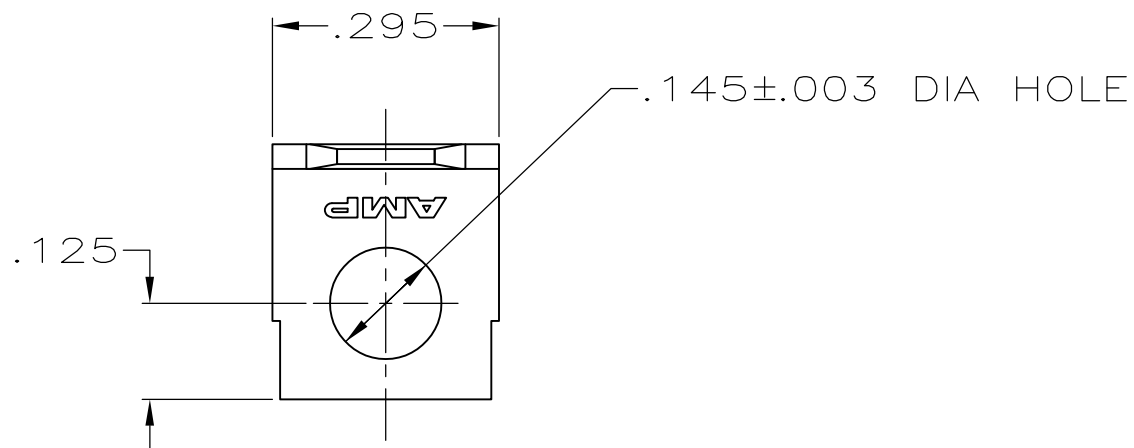
© COPYRIGHT - By -

ALL RIGHTS RESERVED.

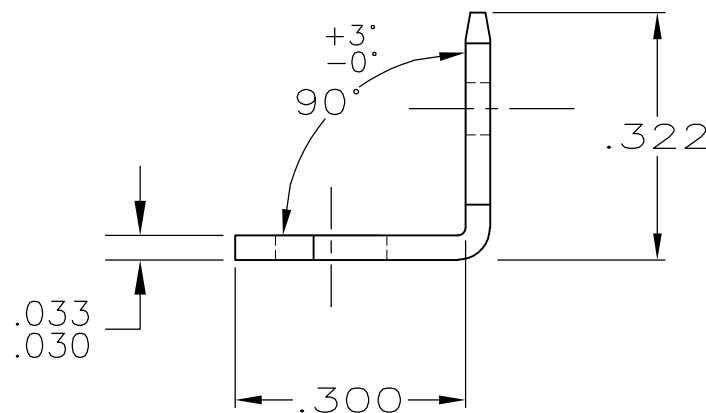
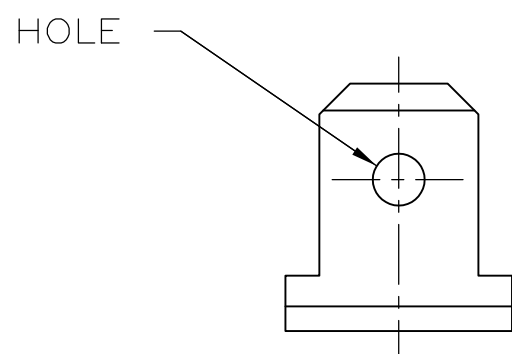
LOC  
AF DIST  
50

REVISIONS

P	LTR	DESCRIPTION	DATE	DWN	APVD
	C	REVISED PER ECR-13-011489	04DEC2013	KH	PD



1 SUPPLIED IN LOOSE PIECE.



62168-1

PART NO.

THIS DRAWING IS A CONTROLLED DOCUMENT.

DWN JR RUTH 1/9/97

CHK MS FEHER 1/9/97

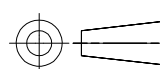
APVD P DESANTIS 1/9/97

NAME



DIMENSIONS:  
INCHES

TOLERANCES UNLESS  
OTHERWISE SPECIFIED:



- 0 PLC ± -
- 1 PLC ± -
- 2 PLC ± -
- 3 PLC ± .015
- 4 PLC ± -
- ANGLES ± 1°

PRODUCT SPEC

APPLICATION SPEC

TAB, FASTON, .205 SERIES

MATERIAL  
BRASS

FINISH  
-

WEIGHT  
-

SIZE	CAGE CODE	DRAWING NO	RESTRICTED TO
A3	00779	C-62168	-

CUSTOMER DRAWING	SCALE 4:1	SHEET 1 OF 1	REV C
------------------	-----------	--------------	-------