

THIS DRAWING IS UNPUBLISHED.

RELEASED FOR PUBLICATION

ALL RIGHTS RESERVED.

© COPYRIGHT - By -

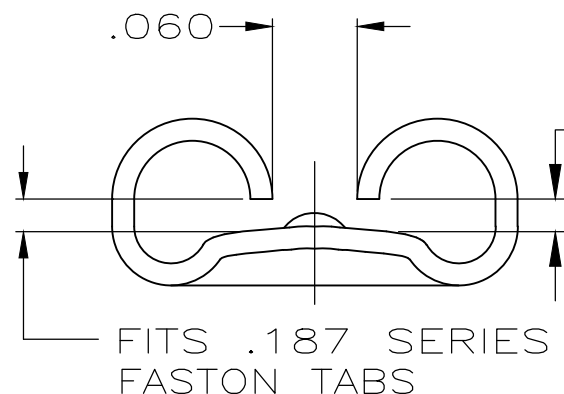
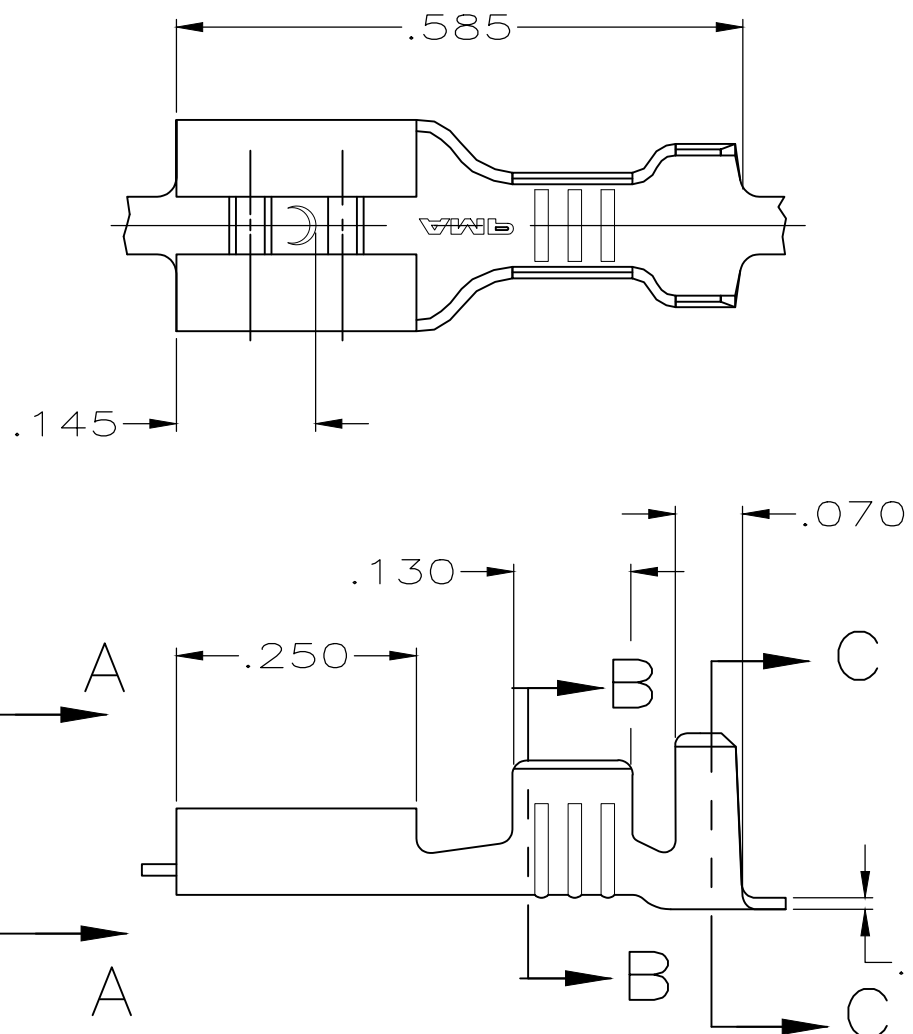
LOC
AF

DIST
50

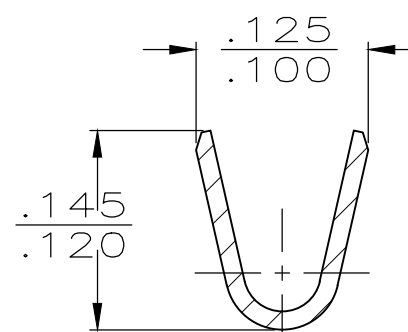
REVISIONS

P	LTR	DESCRIPTION	DATE	DWN	APVD
G1		REVISED PER ECR-20-009164	28JUL2020	MK	DH

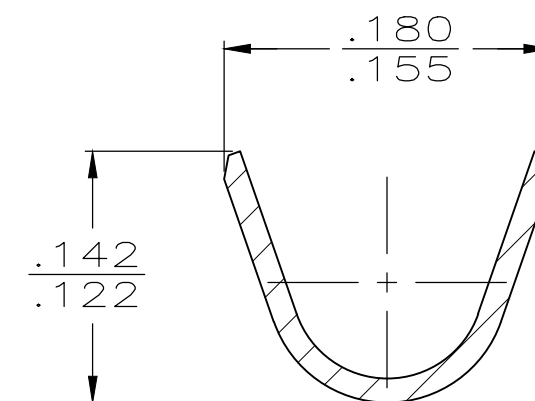
- 1 CONTINUOUS STRIP ON REELS.
- 2 FEED TO BE .650
- 3 PRELIMINARY - NOT FOR PRODUCTION



VIEW A-A
SCALE 10:1




SECTION B-B
SCALE 10:1



SECTION C-C
SCALE 10:1

.060-.110 DIA	#20-16 AWG	.021-.019	SILVER	3 62137-3
			TIN	62137-2
			-	62137-1
INSULATION RANGE	WIRE SIZE	MATING TAB THK	FINISH	PART NO.

THIS DRAWING IS A CONTROLLED DOCUMENT.		DWN JR RUTH 8/21/91	 TE Connectivity RECEPTACLE, FASTON, .187 SERIES						
DIMENSIONS: INCHES		CHK MS FEHER 8/21/91							
TOLERANCES UNLESS OTHERWISE SPECIFIED:		APVD C MEYERS 8/21/91							
0 PLC ± - 1 PLC ± - 2 PLC ± - 3 PLC ± .015 4 PLC ± - ANGLES ± -		NAME							
MATERIAL BRASS		FINISH SEE TABLE	PRODUCT SPEC -	APPLICATION SPEC -	WEIGHT -	SIZE A3	CAGE CODE 00779	DRAWING NO C-62137	RESTRICTED TO -
CUSTOMER DRAWING			SCALE 5:1	SHEET 1 OF 1	REV G1				