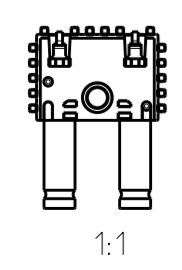
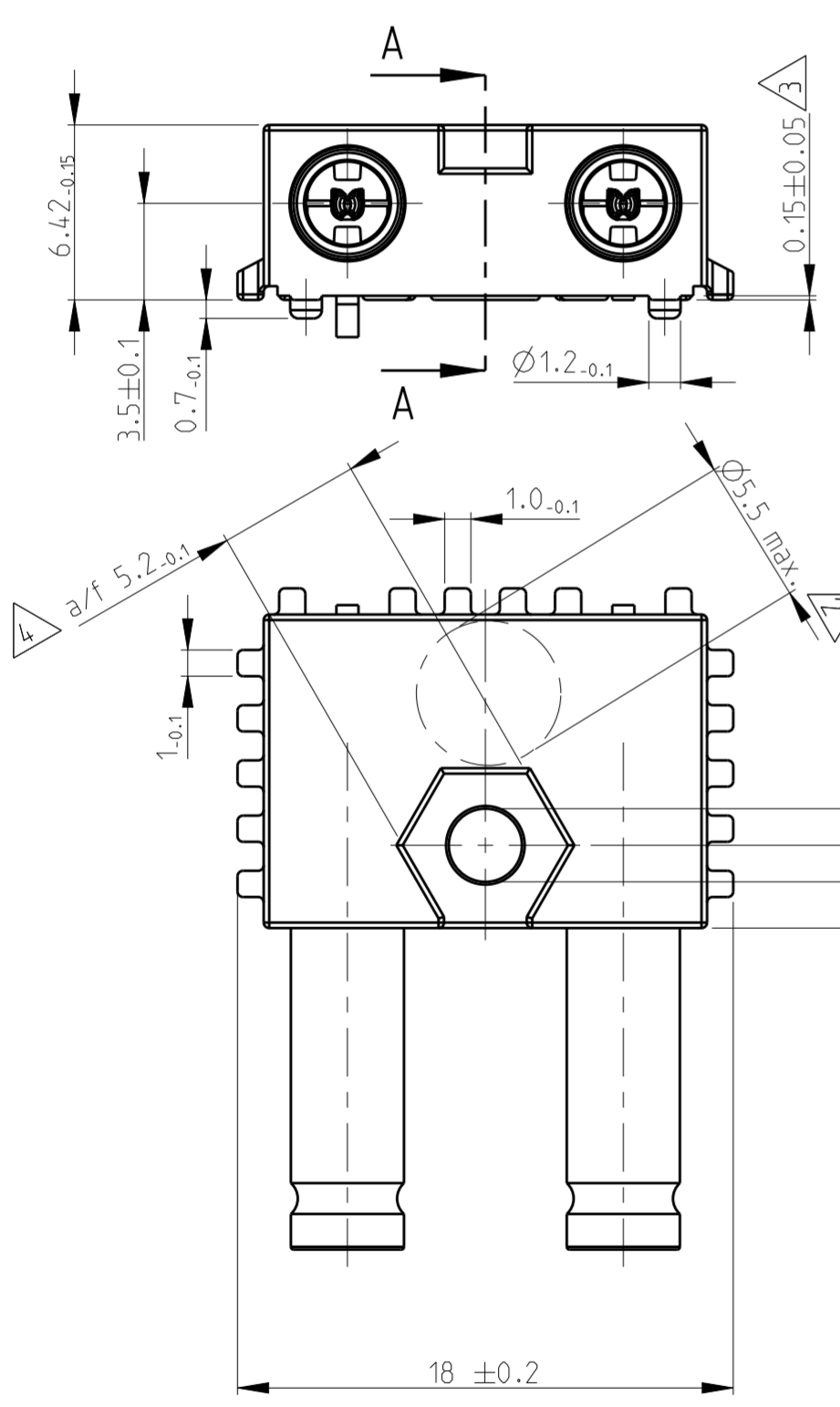
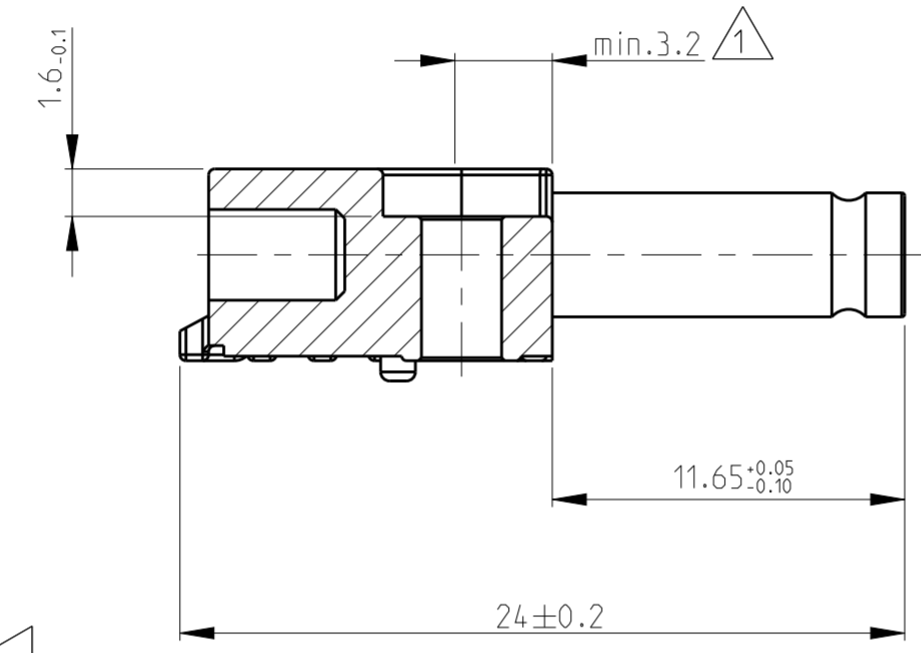
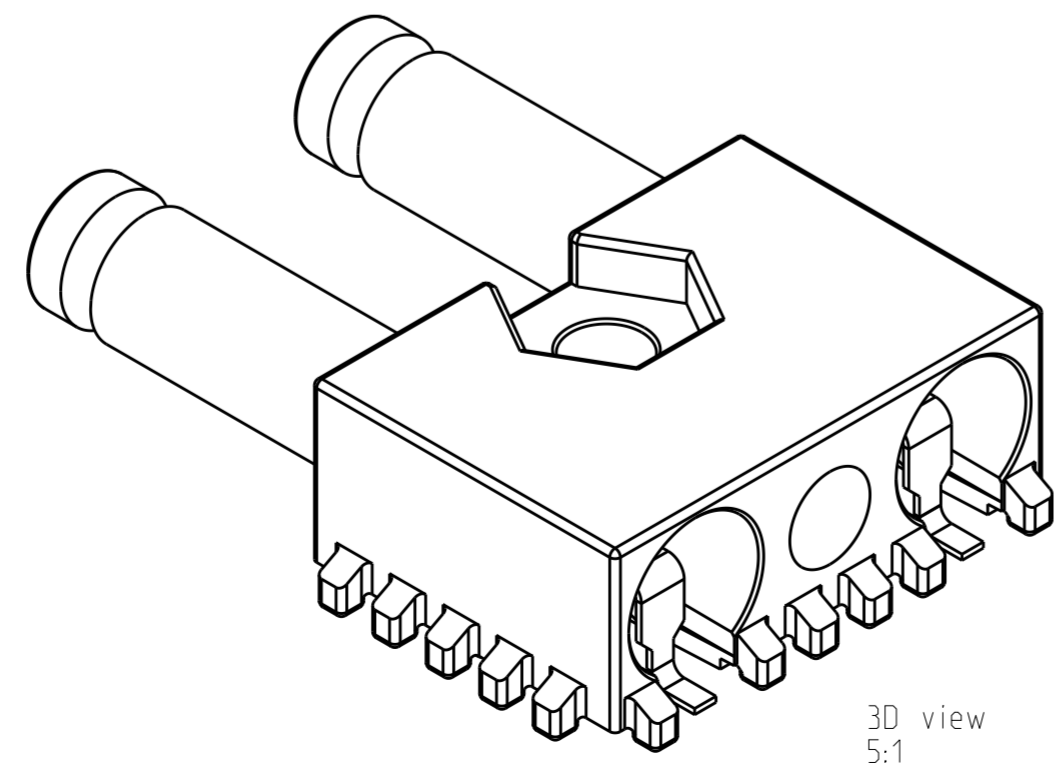


9 Signal contact solder lead

Section A-A



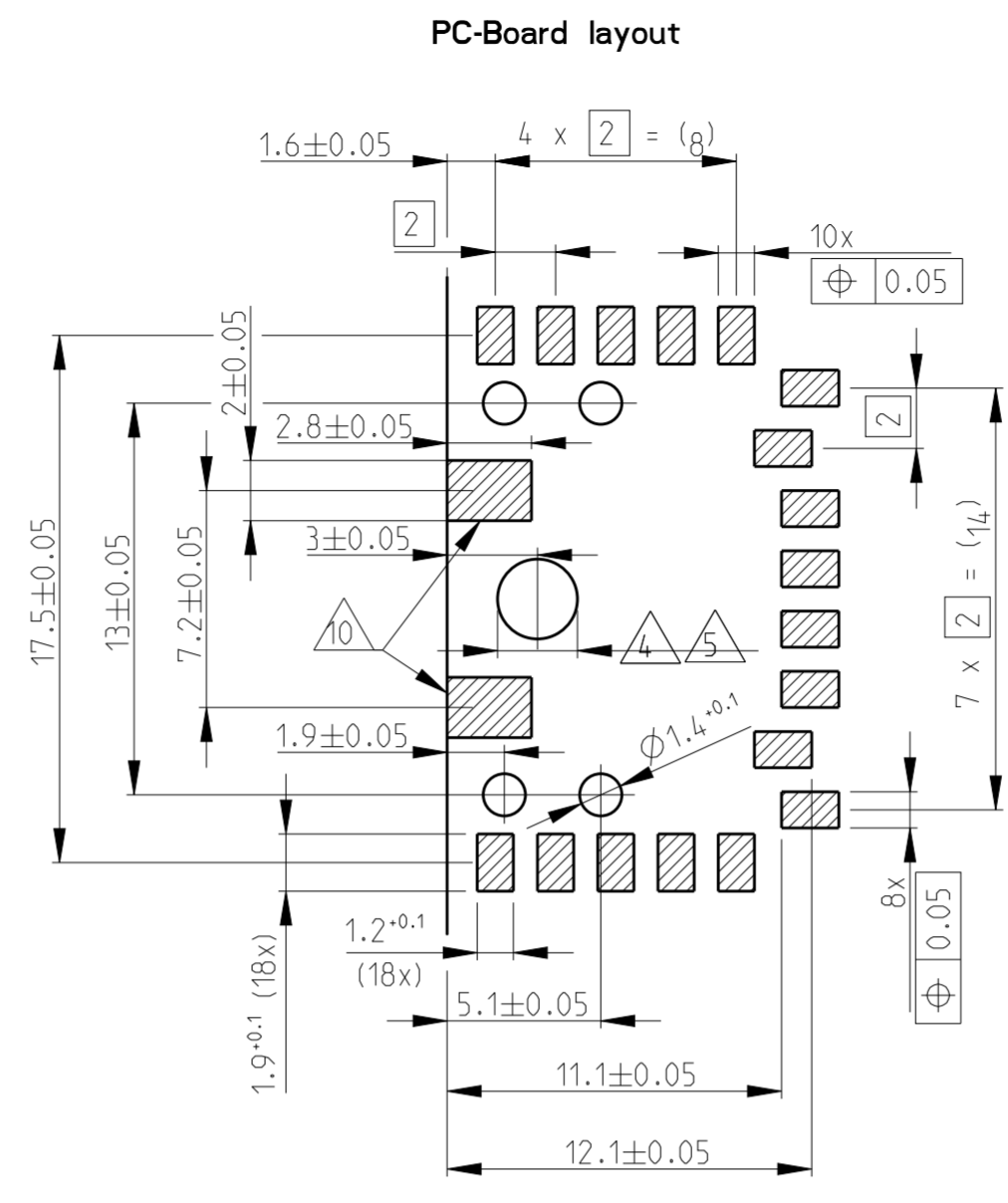
1:1



3D view 5:1

Coplanarity of all SMD solder terminals: 0.15 max. Component weight: 6.3 gram max.

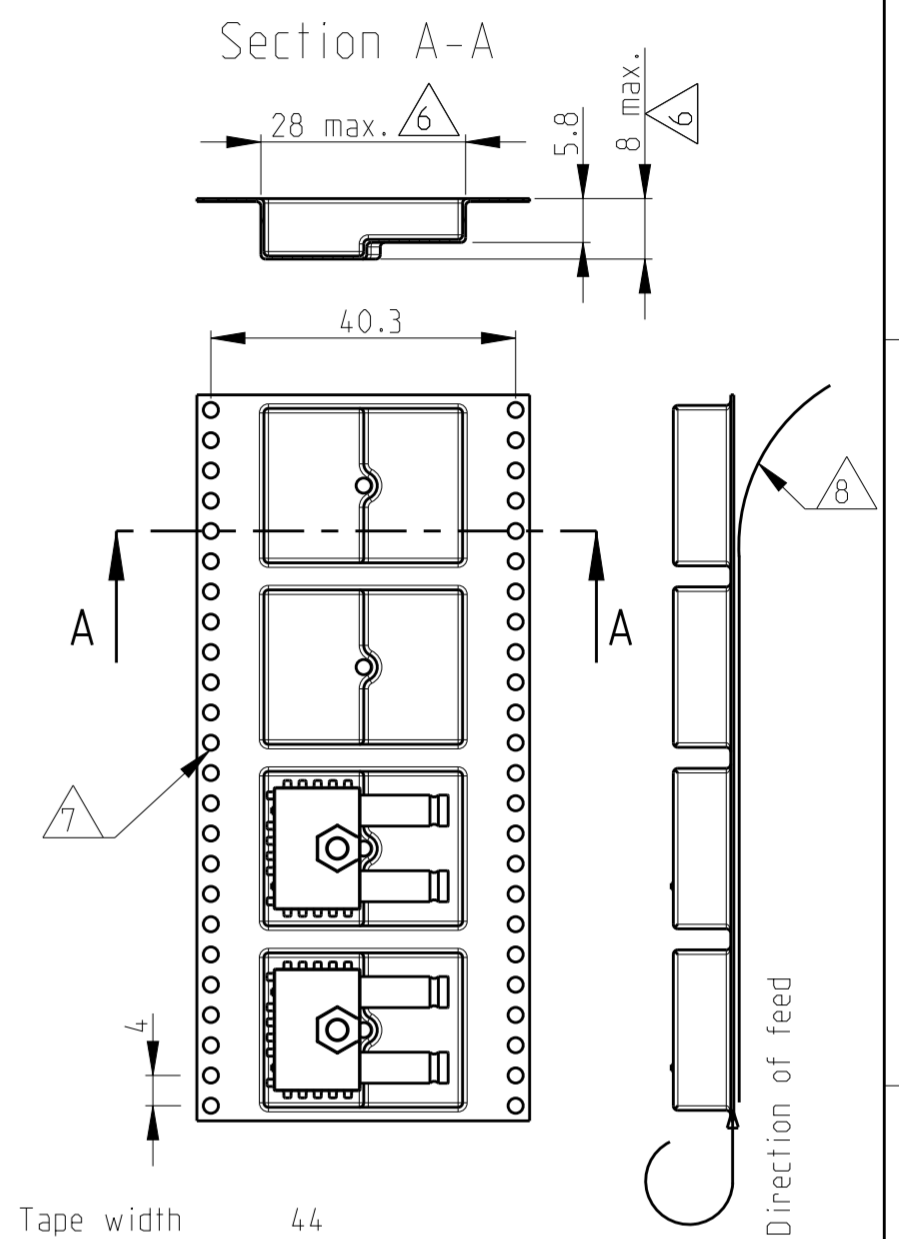
- △ Diameter depending on placement tolerances
- △ Hole suitable for screw M2.5
- △ Stand off
- △ Plane surface for automatic placement
- △ Gravity point



- △ Optional solder pads
- Soldering surfaces

REVISIONS				
P	LTR	DESCRIPTION	DATE	DWN APVD
B		REVISED PER ECR-20-003919	17MAR2020	ED RS

Packaging: Tape & Reel



Tape width	44
Tape material	PS 0.4 conductive
Cavity pitch	24
Reel Ø	330
Pieces/reel	350

Further features according EIA-481-3

- △ cover tape
- △ Round sprocket holes
- △ Reference dimension for tape feeder clearance only

619400-2	RoHS compliant version of 619400-1		
619400-1	Dielectric	PCT	-
	Center conductor	Bronze	Contact area: min. 1 µm Au (Gold) over min. 1µm Ni (Nickel) Solder area: min. 3 µm Sn (Tin)
	Outer conductor	Brass	Min. 0.1 µm Au (Gold) over min. 2µm NiP (Nickel-Phosphorum) over min 0.2 Cu (Copper) (all the plating thickness are measured in contact area)
	Body	ZnAl4	Min. 2 µm Sn (Tin)
TE nr	Description	Material	Plating

THIS DRAWING IS A CONTROLLED DOCUMENT.		DWN A.Mariotti 03APR2009	TE Connectivity	
		CHK D.Bozzer 03APR2009		
DIMENSIONS: mm		APVD -	NAME 1.0-2.3 Jack 2 posn Siemax SMD solder	
TOLERANCES UNLESS OTHERWISE SPECIFIED:		PRODUCT SPEC -	SIZE A2	
0 PLC ±		APPLICATION SPEC -	CAGE CODE 100779	
1 PLC ±		WEIGHT -	DRAWING NO C-619400	
2 PLC ±		RESTRICTED TO		
3 PLC ±		SCALE 4:1 SHEET 1 OF 1 REV B		
4 PLC ±				
ANGLES ±				
FINISH -				
material_2		CUSTOMER DRAWING		