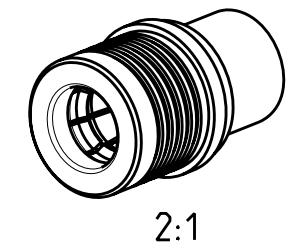
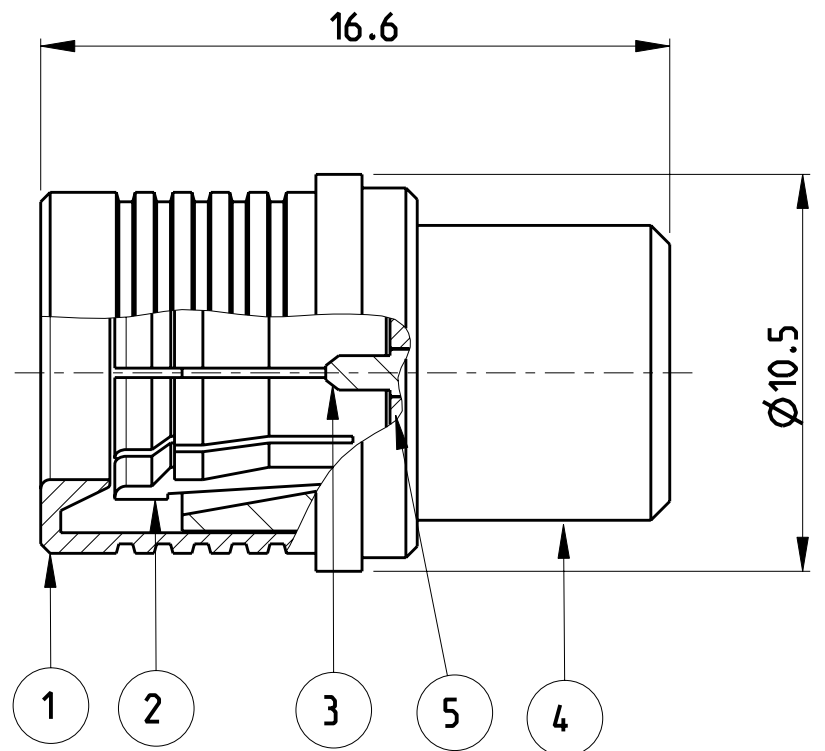


THIS DRAWING IS UNPUBLISHED. RELEASED FOR PUBLICATION 2006  
 © COPYRIGHT 2006 BY TYCO ELECTRONICS CORPORATION. ALL RIGHTS RESERVED.

LOC	DIST	REVISIONS			
P	LTR	DESCRIPTION	DATE	DWN	APVD
IS	-	A	Released to production	08.11.2006	MS DB



619271-1 △2	5	Dielectric	PTFE	None	1
	4	Housing	Brass	min. 0.15 µm Au over min. 2 µm NiP over min. 0.2 µm Cu	1
	3	Center conductor	Brass	min. 0.15 µm Au over min. 2 µm NiP over min. 0.2 µm Cu	1
	2	Outer conductor	CuBe/Bronze	min. 0.2 µm Au over min. 2 µm NiP over min. 0.5 µm Cu	1
	1	Release ring	Bronze/Brass	min. 2 µm CuSnZn alloy over min. 0.2 µm Cu	1
Part Nr	Item	Description	Material	Plating	Qty

- △1 General tolerances acc. to ISO 2768-mH
- △2 Bulk packaging
- 3) CHARACTERISTIC IMPEDENCE 50 Ohm

THIS DRAWING IS A CONTROLLED DOCUMENT FOR TYCO ELECTRONICS CORPORATION. IT IS SUBJECT TO CHANGE AND THE CONTROLLING ENGINEERING ORGANIZATION SHOULD BE CONTACTED FOR THE LATEST REVISION.		DWN <b>R.Luppi</b> 01JUN2006	<b>tyco</b> Electronics tyco Electronics Switzerland - Lugano									
DIMENSIONS: <b>mm</b>		CHK <b>D.Bozzer</b> 01JUN2006										
TOLERANCES UNLESS OTHERWISE SPECIFIED: 0 PLC ± 1 PLC ± 2 PLC ± 3 PLC ± 4 PLC ± ANGLES ±°		APVD -	NAME <b>QMA Plug Terminator</b>									
MATERIAL -		FINISH -										
		PRODUCT SPEC -	<table border="1" style="width: 100%;"> <tr> <th>SIZE</th> <th>CAGE CODE</th> <th>DRAWING NO</th> <th>RESTRICTED TO</th> </tr> <tr> <td>A3</td> <td>00779</td> <td>G-619271</td> <td>-</td> </tr> </table>		SIZE	CAGE CODE	DRAWING NO	RESTRICTED TO	A3	00779	G-619271	-
SIZE	CAGE CODE	DRAWING NO			RESTRICTED TO							
A3	00779	G-619271	-									
<p>1:1</p>		APPLICATION SPEC -	<table border="1" style="width: 100%;"> <tr> <th>SCALE</th> <th>SHEET</th> <th>OF</th> <th>REV</th> </tr> <tr> <td>5:1</td> <td>1</td> <td>1</td> <td>A</td> </tr> </table>		SCALE	SHEET	OF	REV	5:1	1	1	A
SCALE	SHEET	OF			REV							
5:1	1	1	A									
CUSTOMER DRAWING		WEIGHT -										