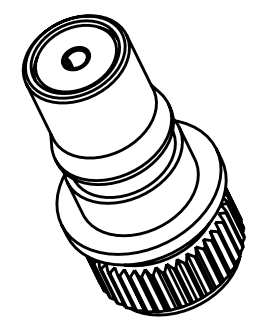
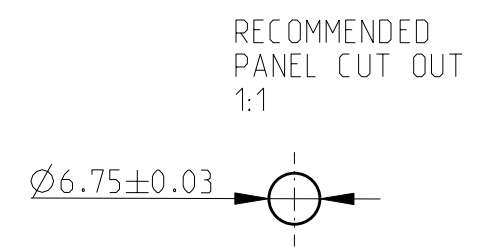
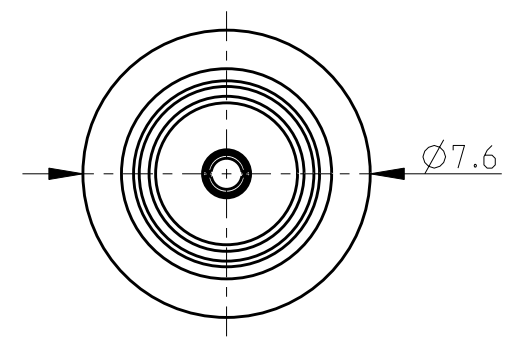
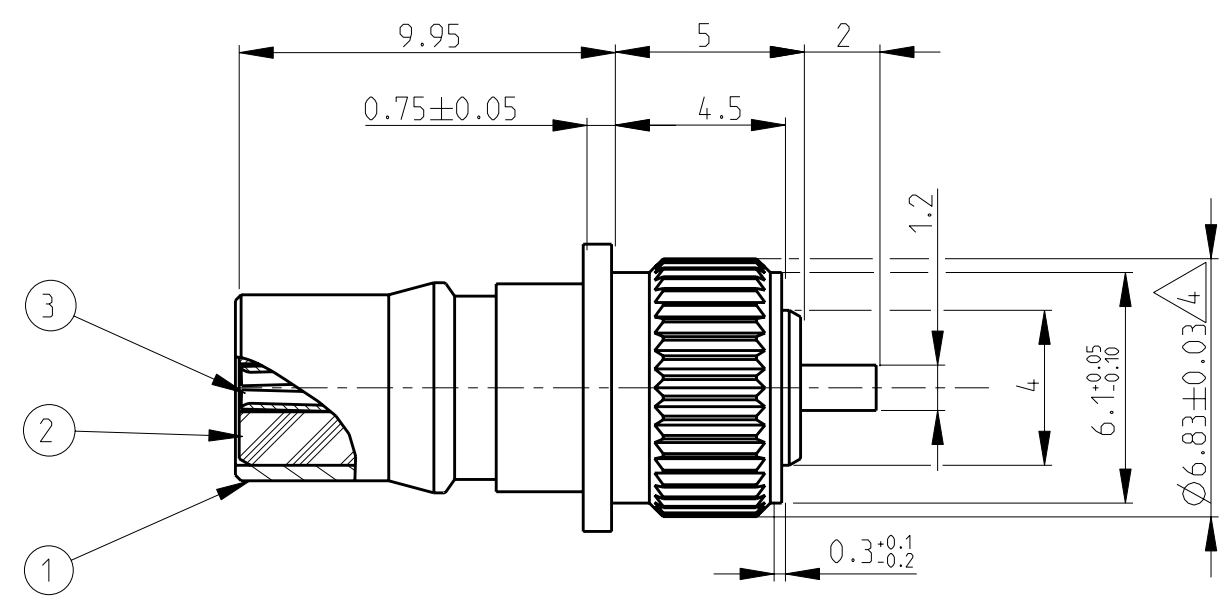


THIS DRAWING IS UNPUBLISHED. RELEASED FOR PUBLICATION 2005
 © COPYRIGHT 2005 BY TYCO ELECTRONICS CORPORATION. ALL RIGHTS RESERVED.

LOC	DIST	REVISIONS			
P	LTR	DESCRIPTION	DATE	DWN	APVD
IS	-	A	FIRST ISSUE	19DEC2005	MG DB
		B	ECR-07-006917	26MAR2007	MS DB
		B1	ECR-07-011803	18MAY2007	MS DB
		C	ECR-07-021188	06SEP2007	MS DB



3D VIEW
3:1

- 1 DIN ISO 8015; DIN ISO 2768-mH
- 2 Single pcs packaging.
- 3 Bulk-packaging.
- 4 Knurl according to DIN 82 RAA 0.5

PART NR	PART NR	ITEM NR	PIECES	DESCRIPTION	MATERIAL	PLATING
5-619215-1 3	619215-1 2	3	1	CENTER CONDUCTOR	CuBe2	Min. 0.1µm Au over min. 2µm NiP
		2	1	DIELECTRIC	PTFE	
		1	1	OUTER SHELL	CuZn	Min. 0.1µm Au over min. 2µm NiP

THIS DRAWING IS A CONTROLLED DOCUMENT FOR TYCO ELECTRONICS CORPORATION. IT IS SUBJECT TO CHANGE AND THE CONTROLLING ENGINEERING ORGANIZATION SHOULD BE CONTACTED FOR THE LATEST REVISION.

DIMENSIONS: mm	TOLERANCES UNLESS OTHERWISE SPECIFIED: 0 PLC ± 1 PLC ± 2 PLC ± 3 PLC ± 4 PLC ± ANGLES ±°	DWN R. Luppi 09feb2005	tyco Electronics Switzerland - Lugano
		CHK D. Bozzer 09feb2005	
MATERIAL	FINISH	APVD	NAME QMA PRESS-IN JACK
		PRODUCT SPEC	SIZE A3
		APPLICATION SPEC	CAGE CODE 00779
		WEIGHT	DRAWING NO G-619215
		CUSTOMER DRAWING	RESTRICTED TO
		SCALE 5:1	SHEET 1 OF 1
			REV C

