

4

3

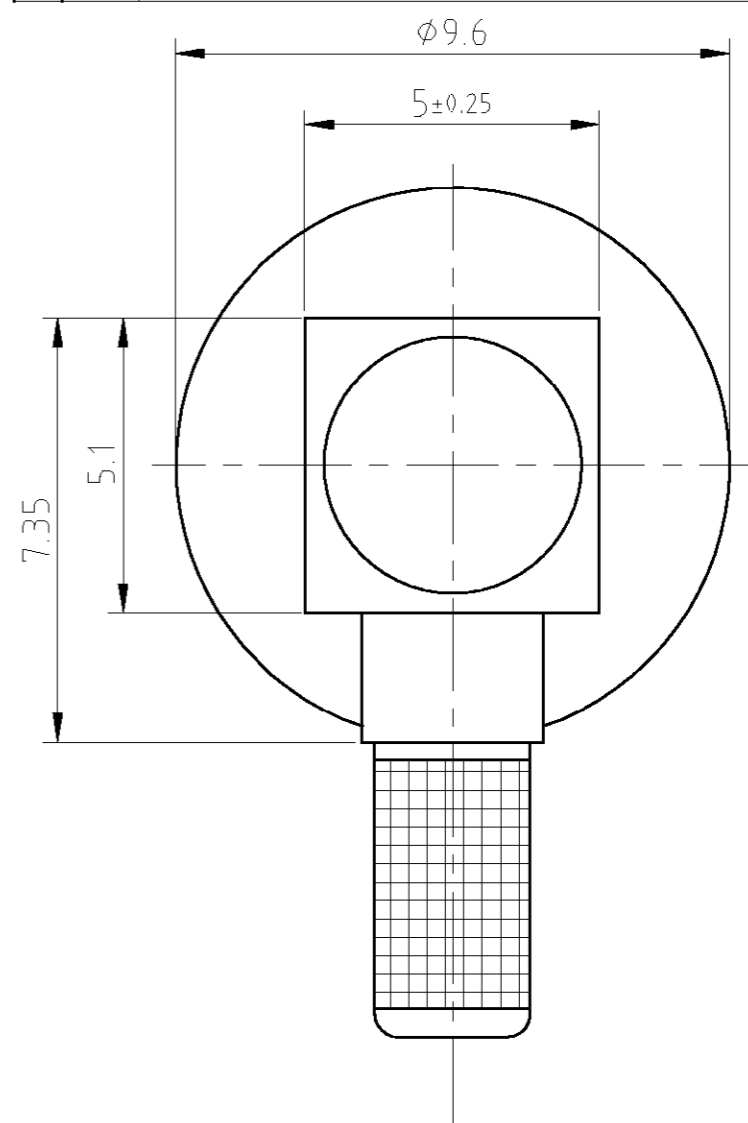
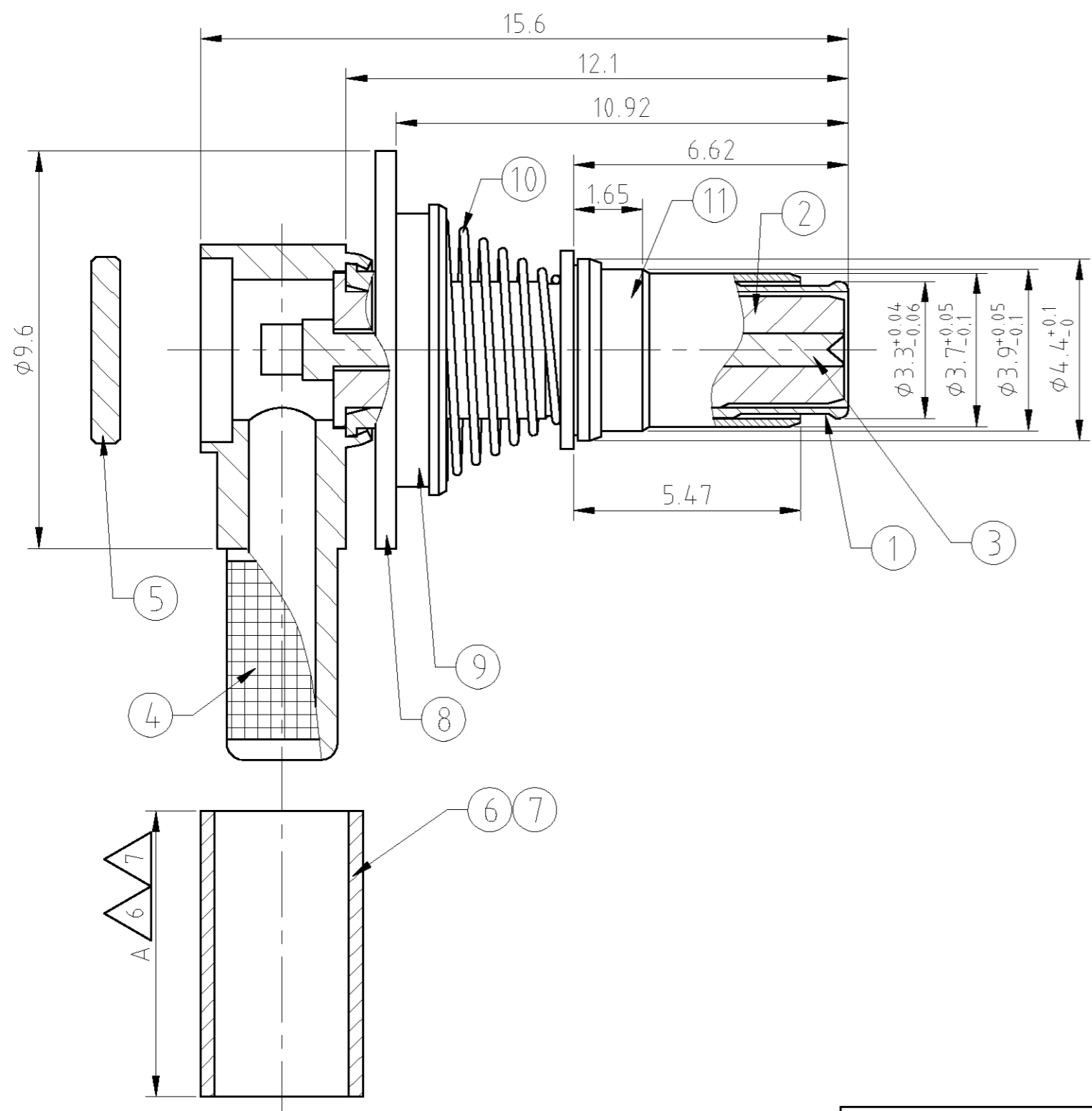
2

1

THIS DRAWING IS UNPUBLISHED.  
 DIFFUSION RESTREINTE AMP  
 © COPYRIGHT 2001 BY TYCO ELECTRONICS CORPORATION.  
 ALL RIGHTS RESERVED.  
 TOUS DROITS RESERVES

RELEASED FOR PUBLICATION  
 LIBRE A LA DIFFUSION  
 OCTOBER ,2001.

LOC	DIST	REVISIONS				
P	LTR REV	DESCRIPTION MODIFICATIONS	DATE	DWN DESS.	APVD APP.	
EK	00					
	A1	EW00 0134 02	08MAY02	FR	BR	
	A2	REVISED PER - ECO-09-026444	16DEC09	KK	AEG	



THIS DRAWING IS A CONTROLLED DOCUMENT. CE PLAN EST UN DOCUMENT CONTROLE.		DWN /DESSINE O. Gendre 09JAN02	<b>tyco</b> <b>Electronics</b>		Tyco Electronics Corporation RF Team, Switzerland
DIMENSIONS. MM		CHK / VERIFIE S. Kempter 09JAN02	NAME TITRE COAXICON SERIES MOBILE PHONE PROTECTED FRONT CONTACT CABLE PLUG WITH FULL RING OUTER CONTACT		
TOLERANCES UNLESS OTHERWISE SPECIFIED: TOLERANCES NON SPECIFIEES (SUIV NB DE DECIMALES): 0 PLC /DEC: $\pm 0.2$ 1 PLC /DEC: $\pm 0.2$ 2 PLC /DEC: $\pm 0.2$ 3 PLC /DEC: $\pm -$ 4 PLC /DEC: $\pm -$ ANGLES $\pm 5$		APVD /APPROUVE -	PRODUCT SPEC SPEC. PRODUIT 108-71049	SIZE FORMAT A3	CAGE CODE 00779
MATERIAL MATIERE -		FINISH FINITION -	APPLICATION SPEC SPEC. APPLICATION 114-71000	DRAWING NO No PLAN C-619137	RESTRICTED TO RESERVE A -
		WEIGHT MASSE APPROX. -	CUSTOMER DRAWING/PLAN CLIENT UNIQUEMENT POUR REFERENCE		SCALE ECHELLE 8:1
			SHEET FEUILLE 1 OF 2 DE 2		REV A2

THIS DRAWING IS UNPUBLISHED.  
 DIFFUSION RESTREINTE AMP  
 RELEASED FOR PUBLICATION  
 LIBRE A LA DIFFUSION  
 OCTOBER ,2001.  
 © COPYRIGHT 2001 BY TYCO ELECTRONICS CORPORATION.  
 ALL RIGHTS RESERVED.  
 TOUS DROITS RESERVES

LOC	DIST	REVISIONS					
EK	00	P	LTR REV	DESCRIPTION MODIFICATIONS	DATE	DWN DESS.	APVD APP.
		-	-		-	-	-

1 PLATING 0.1-0.3µm Au OVER NiP

2 PLATING Ni

3 CABLE RG 174

4 1 x 100 PARTS PACKED IN PLASTIC BAG  
 PACKED IN A CARDBOARD BOX

5 5 x 100 PARTS PACKED IN PLASTIC BAGS, EACH  
 SEPARATELY, ALL PACKED IN A CARDBOARD BOX

6 HAND CRIMP TOOL FOR POS. 6  
 PN 734537-2 (HEX. 3.25)

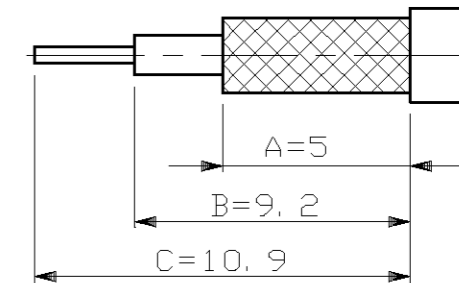
7 HAND CRIMP TOOL FOR POS. 7  
 AMP-PN 354940-1 WITH AMP-PN 58425-2

8 HANDTOOL TO CRIMP THE LID  
 (POS. 5) PN 726878-1

9 10 x NOTE 4  
 ALL PACKED IN A CARDBOARD BOX

10 OBSOLETE PARTS: OBSOLETE CIS  
 STREAMLINING PER D.RENAUD/D.SINISI

STRIPPING DIMENSIONS



ITEM	5	5	9	9	4	4	DESCRIPTION	MATERIAL	PLATING	
11	1	1	1	1	1	1	SAFETY RING	CuZn	2	
10	1	1	1	1	1	1	SPRING	INOX STEEL		
9	1	1	1	1	1	1	SPRING SUPPORT	CuZn	2	
8	1	1	1	1	1	1	WASHER	CuZn	2	
7	1	-	1	-	1	-	FERRULE A=9.6	SFCu	2	
6	-	1	-	1	-	1	FERRULE A=6.9	SFCu	2	
5	1	1	1	1	1	1	LID	CuZn	2	
4	1	1	1	1	1	1	SHELL ANGLE	CuZn/ZnAl	2	
3	1	1	1	1	1	1	CENTER CONTACT	CuZn	1	
2	1	1	1	1	1	1	DIELECTRIC			
1	1	1	1	1	1	1	OUTER SHELL	Phosphorbronze	1	
<del>5-2</del>	<del>5--1</del>	<del>1-2</del>	<del>1-1</del>	<del>-2</del>	<del>-1</del>		ITEM	DESCRIPTION	MATERIAL	PLATING

THIS DRAWING IS A CONTROLLED DOCUMENT.  
 CE PLAN EST UN DOCUMENT CONTROLE.

DIMENSIONS: MM

TOLERANCES UNLESS OTHERWISE SPECIFIED: (SUIV NB DE DECIMALES):  
 0 PLC / DEC: ± 0.2  
 1 PLC / DEC: ± 0.2  
 2 PLC / DEC: ± 0.2  
 3 PLC / DEC: ± -  
 4 PLC / DEC: ± -  
 ANGLES ± 5

MATERIAL MATIERE: -

FINISH FINITION: -

DWN / DESSINE: O. Gendre 09JAN02  
 CHK / VERIFIE: S. Kempter 09JAN02  
 APVD / APPROUVE: -

PRODUCT SPEC. PRODUIT: 108-71049  
 APPLICATION SPEC. SPEC. APPLICATION: 114-71000

WEIGHT MASSE APPROX.: -

CUSTOMER DRAWING/PLAN CLIENT: UNIQUEMENT POUR REFERENCE

SCALE ECHELLE: 8:1

SHEET FEUILLE: 2 OF 2

REV: A2

tyco Electronics Tyco Electronics Corporation RF Team, Switzerland

NAME TITRE: COAXICON SERIES MOBILE PHONE PROTECTED FRONT CONTACT CABLE PLUG WITH FULL RING OUTER CONTACT

SIZE FORMAT: A3 CAGE CODE: 00779 DRAWING NO: 619137 RESTRICTED TO RESERVE A: -