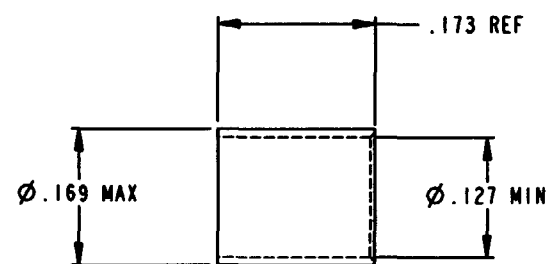


PROPERTY OF DEUTSCH E.C.D.

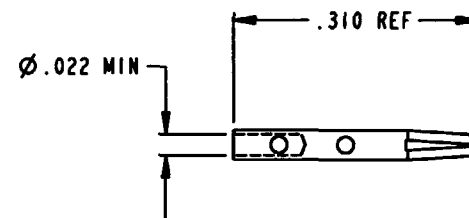
This drawing contains proprietary information that shall not be disclosed, duplicated, nor used in whole or in part for any purpose other than to evaluate this drawing.

N/C 6162-324-1231

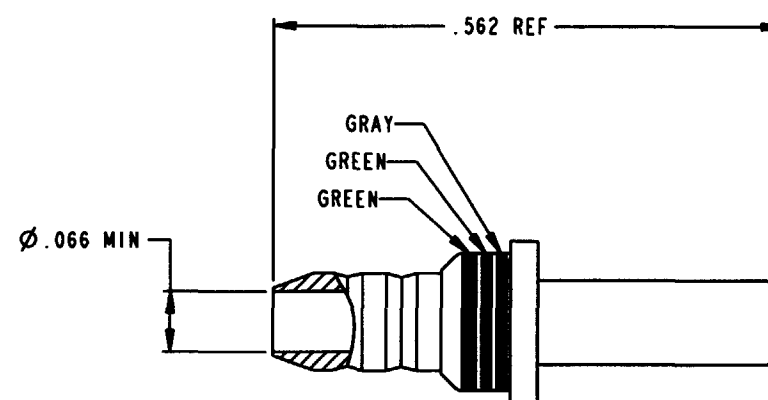
REVISIONS			
REV	DESCRIPTION	DATE	APPROVED
N/C	NEW RELEASE PER E.O. C4274	11-30-99	MK



CRIMP FERRULE



INNER CONTACT



OUTER CONTACT

4. THIS COAXIAL CONTACT WILL MEET THE CABLE SIZES IN MIL-C-39029/102 AND /103.
3. FINISH - CONTACT BODIES & FERRULE: GOLD PLATED
2. MATERIAL - CONTACT BODIES & FERRULE: COPPER ALLOY
1. DIMENSIONS ARE IN INCHES UNLESS OTHERWISE SPECIFIED.

NOTES:

SIGNATURE & DATE	
DR	J. FRIEDROF 11-23-99
CHK	M K11-30-99
PE	J. FRIEDROF 11-23-99
APPD	
SCALE	7.000 IN / NONE

CONTACT
PIN ASSEMBLY
SIZE 12 COAX
38999 TYPE
MIL-C-39029/102-558
ENVELOPE

CP	---	DATE CODE
DEUTSCH		
ENGINEERED CONNECTING DEVICES		
5733 P. Whittier Ave. Hemet, California		
A	6162-324-1231	
SIZE	11136	SHEET OF

6162-324-1231-ENV