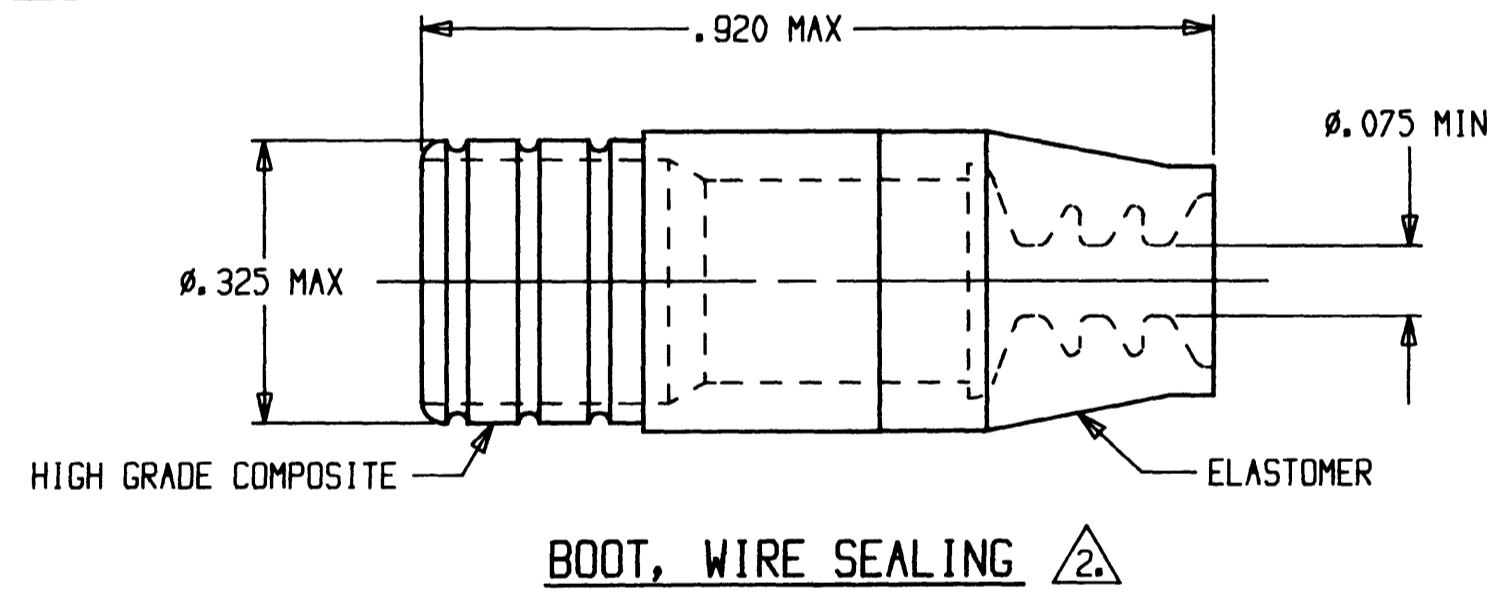
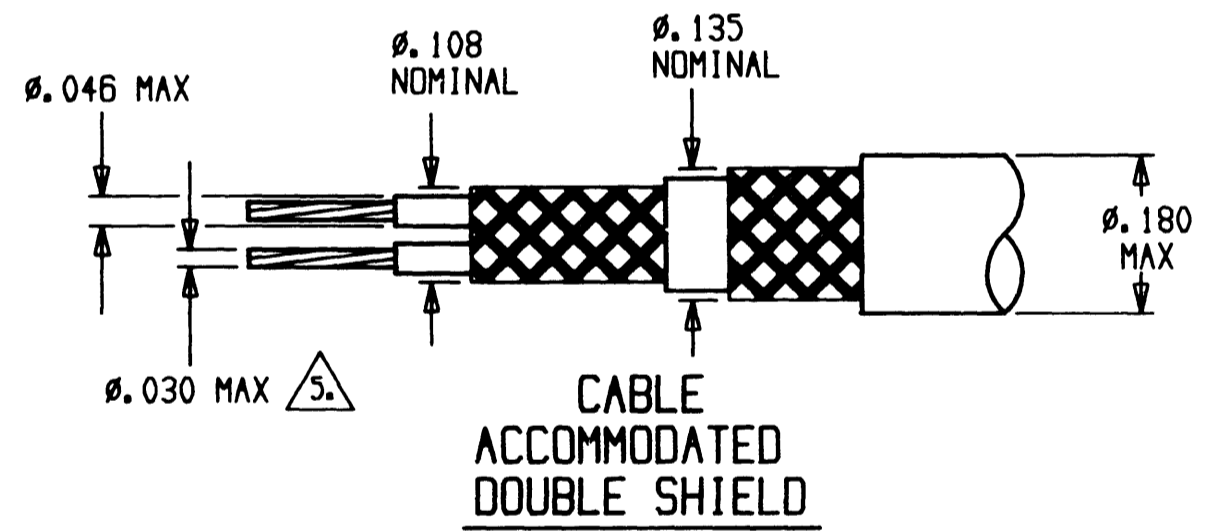
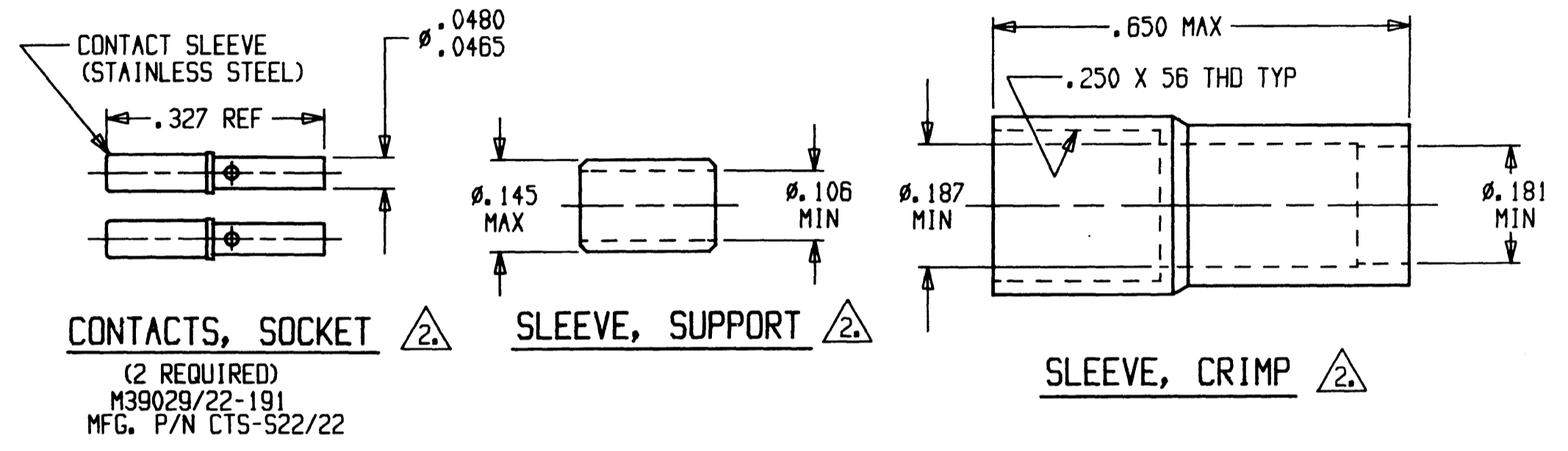
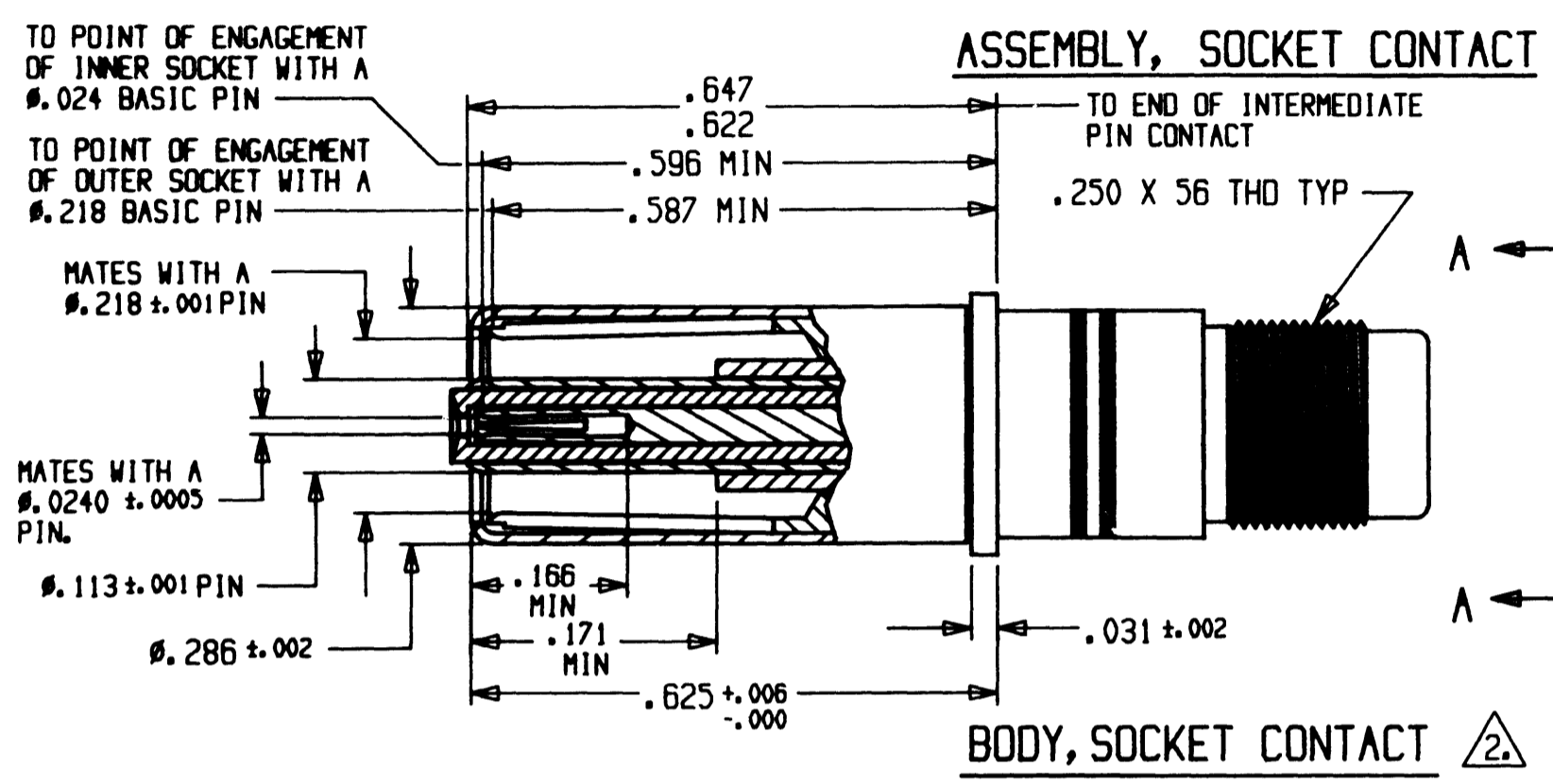
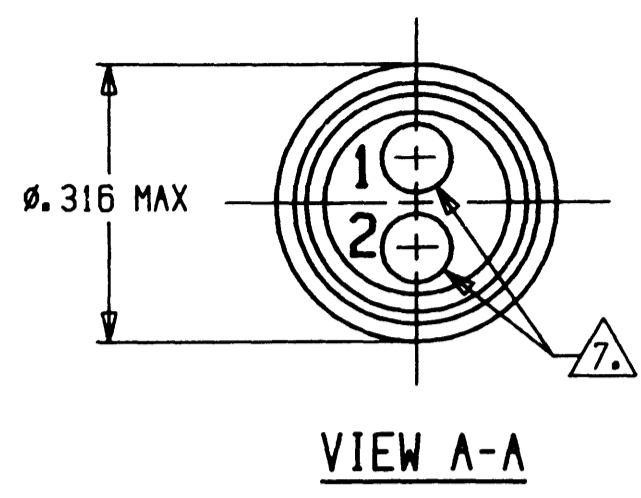
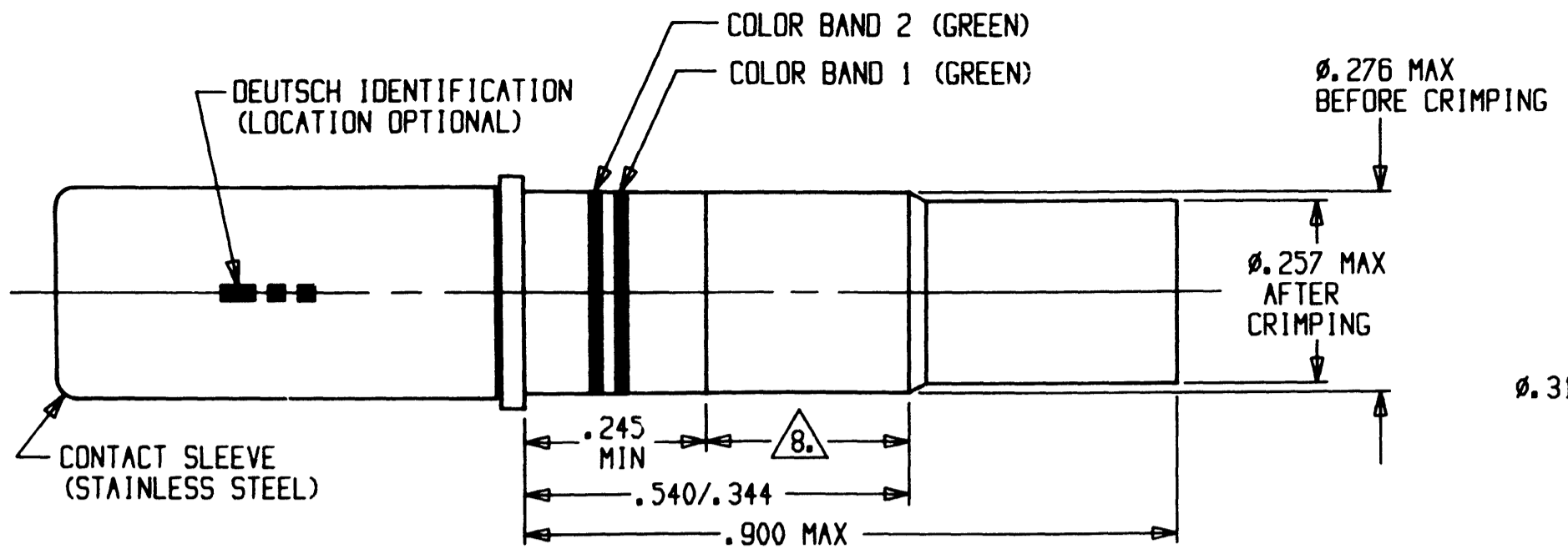


REVISIONS			
SYM	DESCRIPTION	DATE	APPROVED
L	REVISED PER E.U. A8839	12-8-85	229



REV	C	6162-290-0877
-----	---	---------------

9. FOR ASSEMBLY INSTRUCTIONS, SEE FORM 997.
8. IN AREA SHOWN, THE DIAMETER MAY GROW TO .290 MAX. AFTER CRIMPING.
7. CAVITY MARKED "1" GOES TO INNER CONTACT, CAVITY MARKED "2" GOES TO INTERMEDIATE CONTACT.
6. WIRE SEALING BOOT UTILIZED WITH THESE CONTACTS WILL SEAL ON CABLE WITH A MIN. JACKET DIA. OF .105 AND A MAX. OF .276. SMALLER DIA. CABLE MUST BE INCREASED WITH THE USE OF HEAT SHRINKABLE TUBING.
5. .030 DIA. SHOWN IS FOR STRANDED CONDUCTOR. SOLID CONDUCTOR MAY BE SLIGHTLY LARGER.
4. CONTACTS PLATED .000050 MIN. GOLD THICKNESS PER MIL-G-45204.
3. ALL COMPONENTS MADE OF HIGH GRADE COPPER ALLOY EXCEPT AS SHOWN.
2. DESIGNATES PARTS ARE SHIPPED LOOSE.
1. DIMENSIONS ARE IN INCHES. DIMENSIONS SHOWN APPLY AFTER PLATING.

CONTACT	CABLE ACCOMMODATED	TEST CURRENT (AMPERES)	CONTACT RESISTANCE			CRIMP TENSILE STRENGTH AXIAL LOAD (POUNDS, MINIMUM)	DIELECTRIC WITHSTANDING VOLTAGE		
			MAXIMUM VOLTAGE DROP (MILLIVOLTS)				CONTACTS	ALTITUDE	TEST VOLTAGES A.C. rms
			25°C+3°C-0°C	AFTER CONDITIONING	175°C+3°C-0°C				
CENTER	GC875TM24H	1.0	55	66	94	8	CENTER TO INTERMEDIATE	SEA LEVEL	1000
INTERMEDIATE	GC875TM24H	1.0	55	66	94	8	—	—	—
OUTER	GC875TM24H	12.0	75	90	128	25	INTERMEDIATE TO OUTER	SEA LEVEL	500

TOLERANCES UNLESS OTHERWISE SPECIFIED DECIMALS XXX ±.005 ANGLES: ±0° 30' 0" TR.010 PARTS TO BE FREE OF BURRS AND SHARP EDGES	SIGNATURE & DATE		CONTACT, SOCKET ELECTRICAL CONNECTOR CONCENTRIC TWINAX SIZE 8 FOR D38999 CONNECTOR ENVELOPE	CP	MATL CODE	
	DR	R GROSS 4-4-88		DEUTSCH ENGINEERED CONNECTING DEVICES Municipal Airport Banning, California	C 6162-290-0877	
	CHK	P.N.L. 4-22-88				
	PE	R Gross 4-4-88				
MATERIAL	APPD	SCALE NONE	WT	DWG SIZE	CODE 11139	SHEET 1 OF 1

E D C B A 6162-290-0877EN