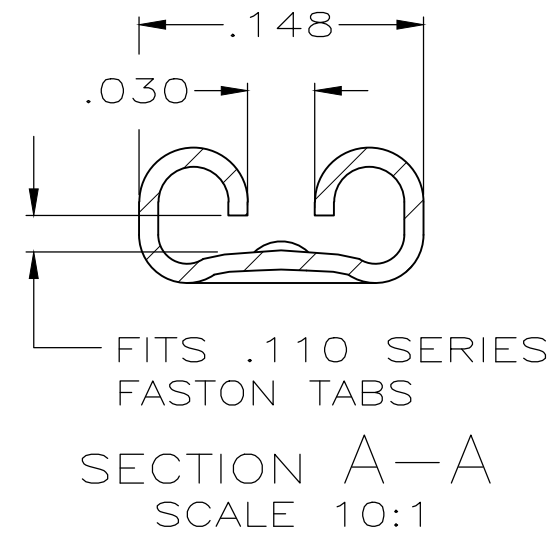
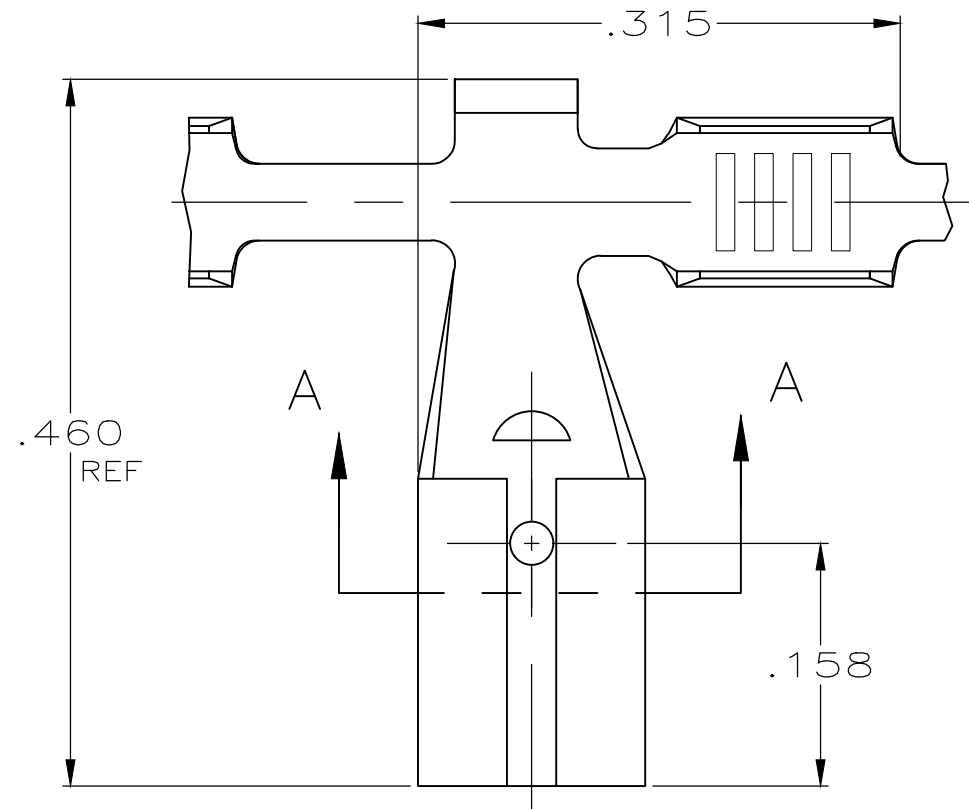
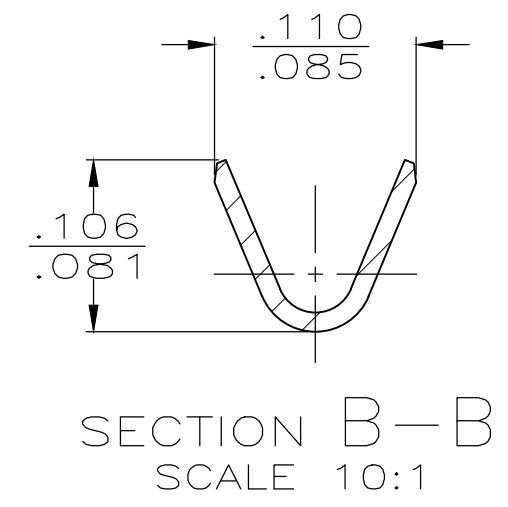
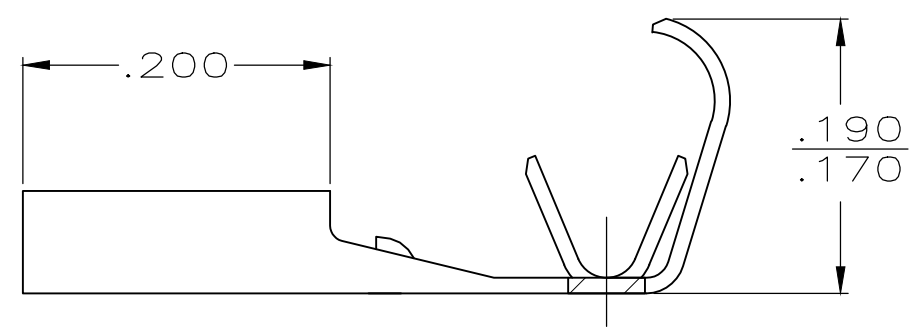
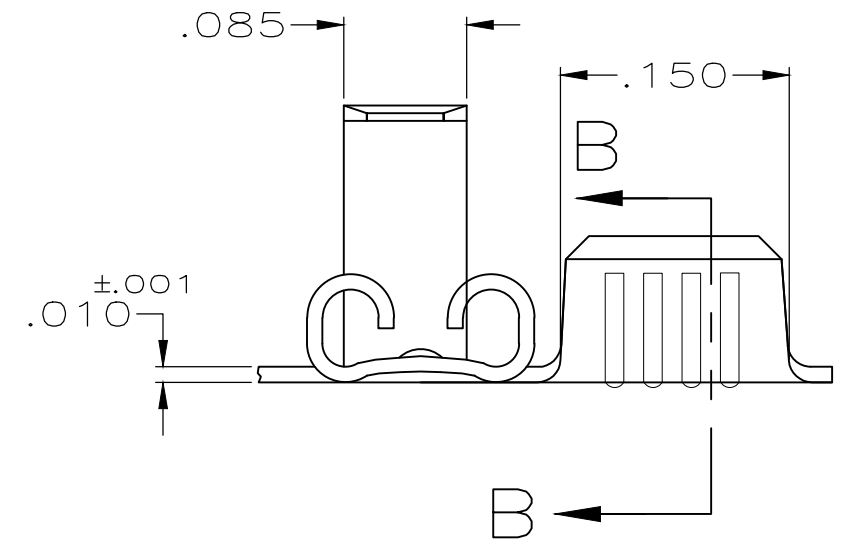


THIS DRAWING IS UNPUBLISHED. RELEASED FOR PUBLICATION  
 © COPYRIGHT - By - ALL RIGHTS RESERVED.

| REVISIONS |     |                           |           |     |      |
|-----------|-----|---------------------------|-----------|-----|------|
| P         | LTR | DESCRIPTION               | DATE      | DWN | APVD |
| F3        |     | REVISED PER ECR-15-016346 | 07MAY2016 | NK  | LP   |
| F2        |     | REVISED PER ECR-16-012947 | 09SEP16   | ST  | TD   |
| F3        |     | REVISED PER ECO-18-000220 | 09JAN18   | DL  | TD   |



- 1 CONTINUOUS STRIP ON REELS
- 2 FEED TO BE .430±.005



|                  |           |                      |          |
|------------------|-----------|----------------------|----------|
| .065-.100 DIA    | 22-18 AWG | .025                 | 61530-1  |
| INSULATION RANGE | WIRE SIZE | MATING TAB THK ±.001 | PART NO. |

|  |                   |                             |  |                    |                       |                    |  |  |
|--|-------------------|-----------------------------|--|--------------------|-----------------------|--------------------|--|--|
| THIS DRAWING IS A CONTROLLED DOCUMENT.   |                   | DWN<br>JR RUTH<br>4/24/91   | <b>TE Connectivity</b><br><br>RECEPTACLE, FASTON,<br>FLAG, .110 SERIES |                    |                       |                    |  |  |
| DIMENSIONS:<br>INCHES  |                   | CHK<br>MS FEHER<br>4/24/91  |  |                    |                       | NAME               |  |  |
| TOLERANCES UNLESS OTHERWISE SPECIFIED:   |                   | APVD<br>C MEYERS<br>4/24/91 |  |                    |                       | PRODUCT SPEC       |  |  |
| 0 PLC ± -<br>1 PLC ± -<br>2 PLC ± -<br>3 PLC ± .015<br>4 PLC ± -<br>ANGLES ± - |                   | APPLICATION SPEC            |  |                    |                       |                    |  |  |
| MATERIAL<br>BRASS  | FINISH<br>PRE-TIN | WEIGHT<br>-                 | SIZE<br>A3   | CAGE CODE<br>00779 | DRAWING NO<br>C-61530 | RESTRICTED TO<br>- |  |  |
| CUSTOMER DRAWING   |                   |                             | SCALE<br>8:1   | SHEET<br>1 OF 1    | REV<br>F3             |                    |  |  |