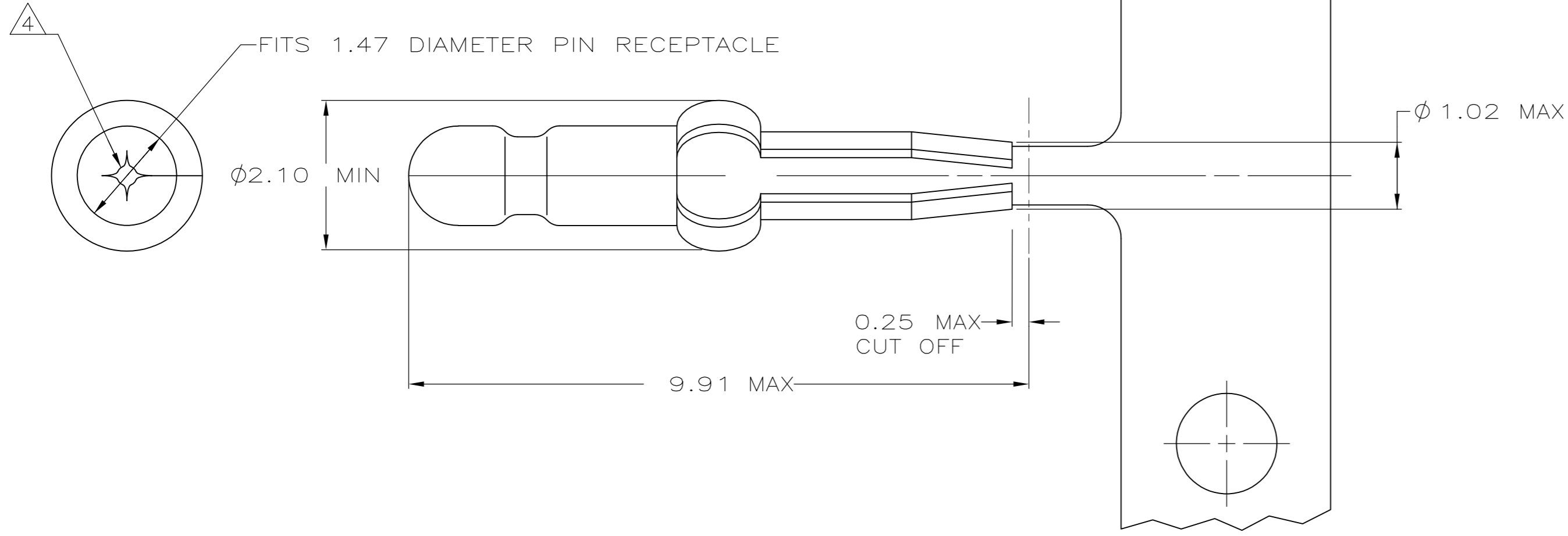
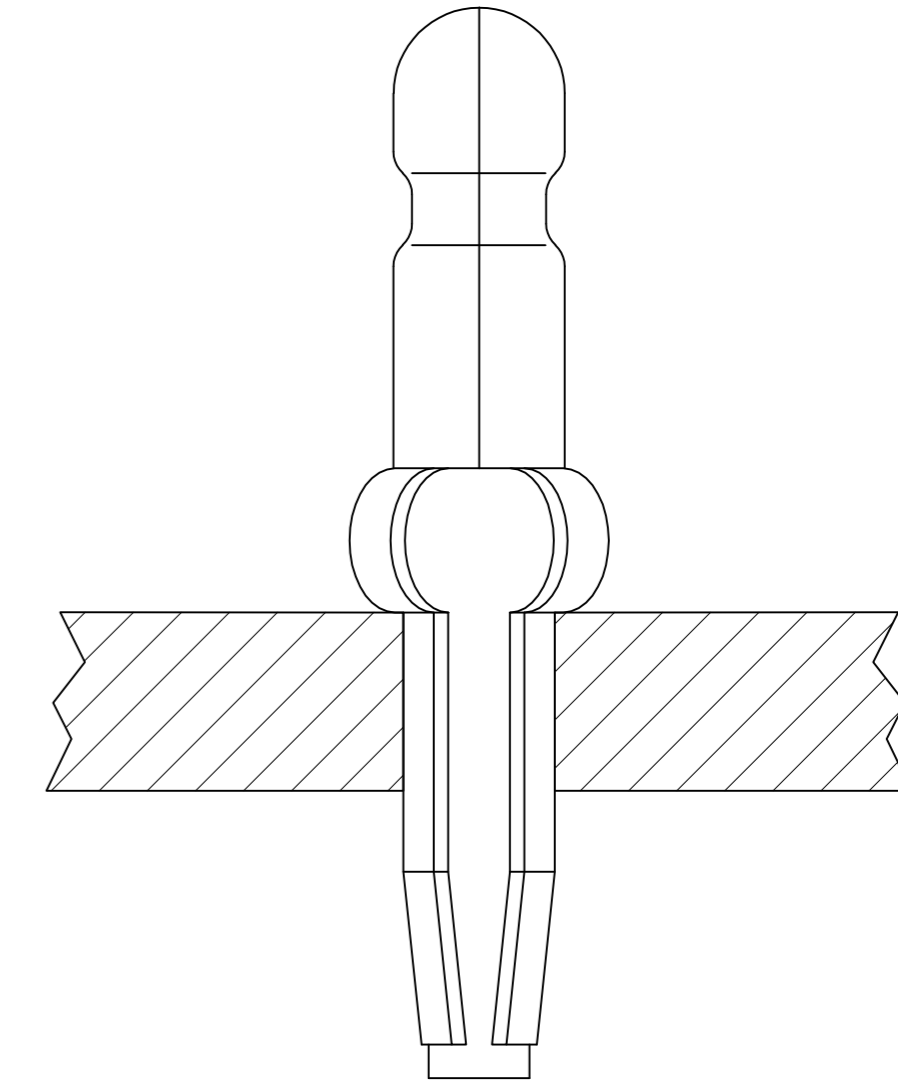
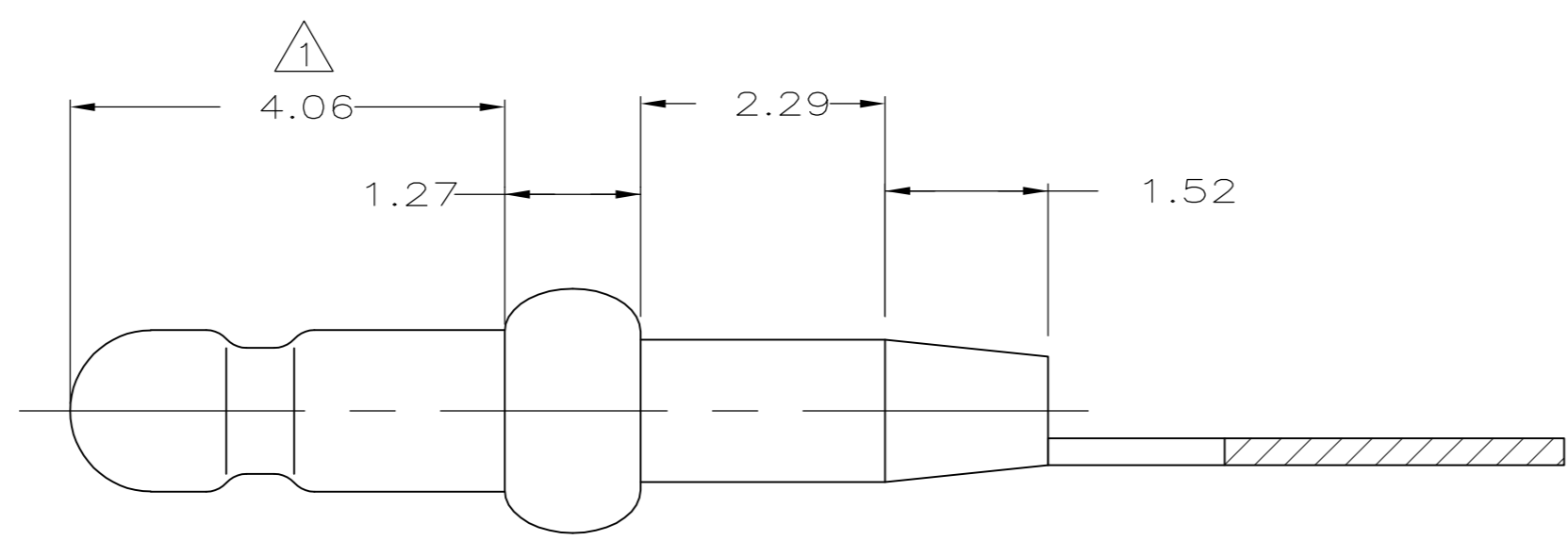


THIS DRAWING IS UNPUBLISHED. RELEASED FOR PUBLICATION  
 © COPYRIGHT - By - ALL RIGHTS RESERVED.

REVISIONS					
P	LTR	DESCRIPTION	DATE	DWN	APVD
	T3	REVISED PER ECO-17-002262	17FEB2017	RS	SG



- 1 0.00076 MIN GOLD PLATING IN THIS AREA WITH 0.00381 MIN MATTE TIN LEAD ON THE REMAINDER, BOTH OVER 0.00127 MIN NICKEL UNDERPLATE.
- 2 FITS 1.17 - 1.27 DIAMETER HOLE IN A 1.57 OR 2.39 PRINTED CIRCUIT BOARD.
- 3 PARTS TO COMPLY WITH AMP SOLDERABILITY SPECIFICATION 109-11-3.
- 4 0.05 - 0.25 DIAMETER OPENING REQUIRED IN TIP OF PIN.
- 5 APPLICATOR FEED: 8.00 - 8.26
- 6 0.00076 MIN GOLD PLATING IN THIS AREA WITH 0.00381 MIN MATTE TIN ON THE REMAINDER, BOTH OVER 0.00127 MIN NICKEL UNDERPLATE.



SUPERSEDED BY 3-61038-1		3-61038-1
		<del>61038-1</del>
	FINISH	PART NUMBER

MM	IN	MM	IN	MM	IN	MM	IN
0.13	.005	1.47	.058	2.39	.094	-	-
0.05	.002	1.27	.050	2.29	.090	9.91	.390
0.00381	.000150	1.17	.046	2.16	.085	8.26	.325
0.00127	.000050	1.02	.040	1.57	.062	8.00	.315
0.00076	.000030	0.25	.010	1.52	.060	4.06	.160

CONVERSION TABLE

THIS DRAWING IS A CONTROLLED DOCUMENT.		DWN	T. BECK	8-22-97	 TE Connectivity																		
DIMENSIONS: mm		CHK	R. SWING	8-22-97																			
TOLERANCES UNLESS OTHERWISE SPECIFIED:		APVD	A. BEDDICK	9-10-97																			
<table border="0"> <tr><td>0 PLC</td><td>±</td><td>-</td></tr> <tr><td>1 PLC</td><td>±</td><td>-</td></tr> <tr><td>2 PLC</td><td>±</td><td>0.13</td></tr> <tr><td>3 PLC</td><td>±</td><td>-</td></tr> <tr><td>4 PLC</td><td>±</td><td>-</td></tr> <tr><td>ANGLES</td><td>±</td><td>-</td></tr> </table>		0 PLC	±	-		1 PLC	±	-	2 PLC	±	0.13	3 PLC	±	-	4 PLC	±	-	ANGLES	±	-	PRODUCT SPEC	108-1025	NAME
0 PLC	±	-																					
1 PLC	±	-																					
2 PLC	±	0.13																					
3 PLC	±	-																					
4 PLC	±	-																					
ANGLES	±	-																					
MATERIAL	0.25 PH BRZ	FINISH	SEE TABLE	APPLICATION SPEC	114-1008	SIZE	A2	CAGE CODE	00779	DRAWING NO	C=61038	RESTRICTED TO	-										
		CUSTOMER DRAWING		WEIGHT	0.000000	SCALE	15:1	SHEET	1 of 1	REV	T3												