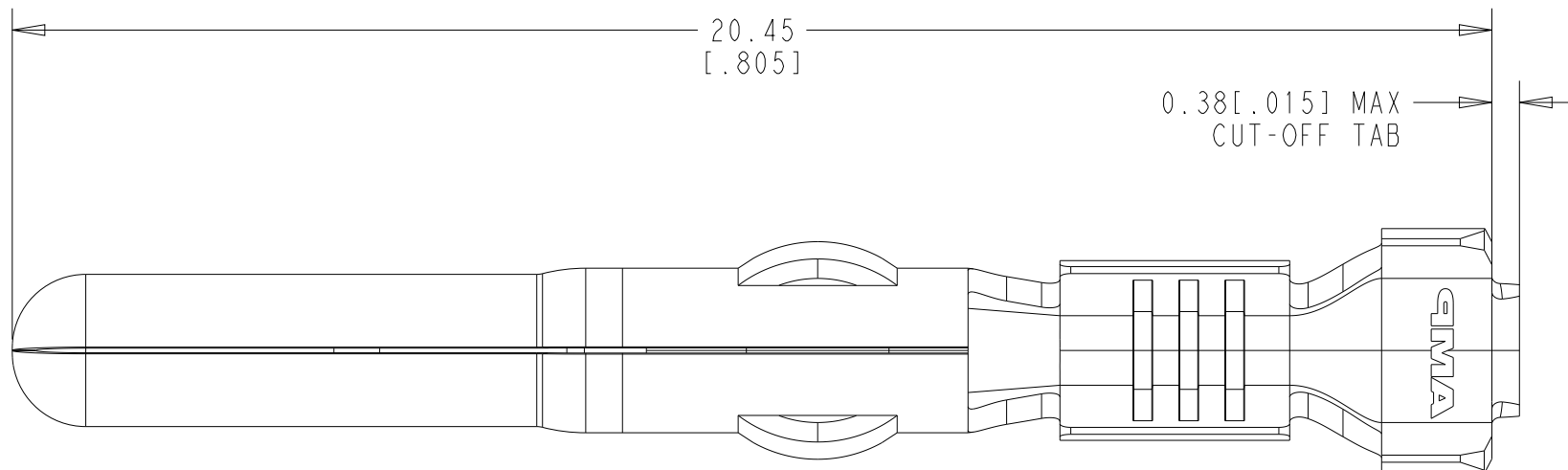
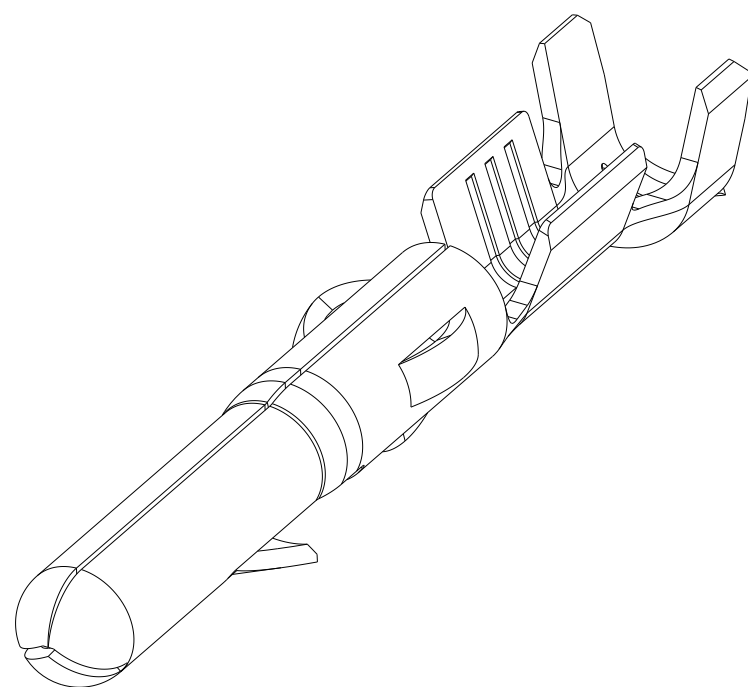


P	LTR	DESCRIPTION	DATE	DWN	APVD
	S1	REVISED PER ECO-11-005294	05APR2011	-	HMR
	S2	REVISED PER ECN-23-233438	02OCT2023	WLS	VS




NOTES:

- FOR ADDITIONAL INFORMATION SEE DRAWING 61314.
- THIS TERMINAL IS SUPPLIED IN INDIVIDUAL FORM, NOT AS A CONTINUOUS STRIP.
- NICKEL ON ENTIRE TERMINAL WITH 0.76µm [30µin] GOLD OVER MATING AREA AND WIRE BARREL.
- 1.27µm [50µin] NICKEL ON ENTIRE TERMINAL WITH 0.76µm [30µin] GOLD OVER MATING AREA AND WIRE BARREL.
- WIRE RANGE: 0.2 - 0.9mm² [24 - 18 AWG].
- INSULATION RANGE: 2.54[.100] MAX DIA.
- DIMENSIONS IN BRACKETS ARE IN INCHES.



GOLD ⁴	.012 PH BRZ	60618-6
³ GOLD	.012 BRASS	60618-5
PRE-TIN	.012 PH BRZ	60618-4
PRE-TIN	.012 BRASS	60618-1
FINISH	MATERIAL	PART NO

THIS DRAWING IS A CONTROLLED DOCUMENT.		DWN M. FEHER 26NOV1979	 TE Connectivity		
DIMENSIONS: mm [INCHES]		CHK D. S. HEIDE 04JAN1980			
TOLERANCES UNLESS OTHERWISE SPECIFIED:		APVD V. SHEETAR 02OCT2023	NAME PIN, LOOSE PIECE COMMERCIAL MATE-N-LOK		
0 PLC ±- 1 PLC ±- 2 PLC ±- ±0.38 3 PLC ±- [.015] 4 PLC ±- ANGLES ±-		PRODUCT SPEC 108-1000	RESTRICTED TO		
MATERIAL SEE TABLE		APPLICATION SPEC 114-1012	SIZE A3	CAGE CODE 00779	DRAWING NO G-60618
FINISH SEE TABLE		WEIGHT -	SCALE 10:1		
		CUSTOMER DRAWING	SHEET 1 OF 1		
			REV S2		

SCALE 8:1