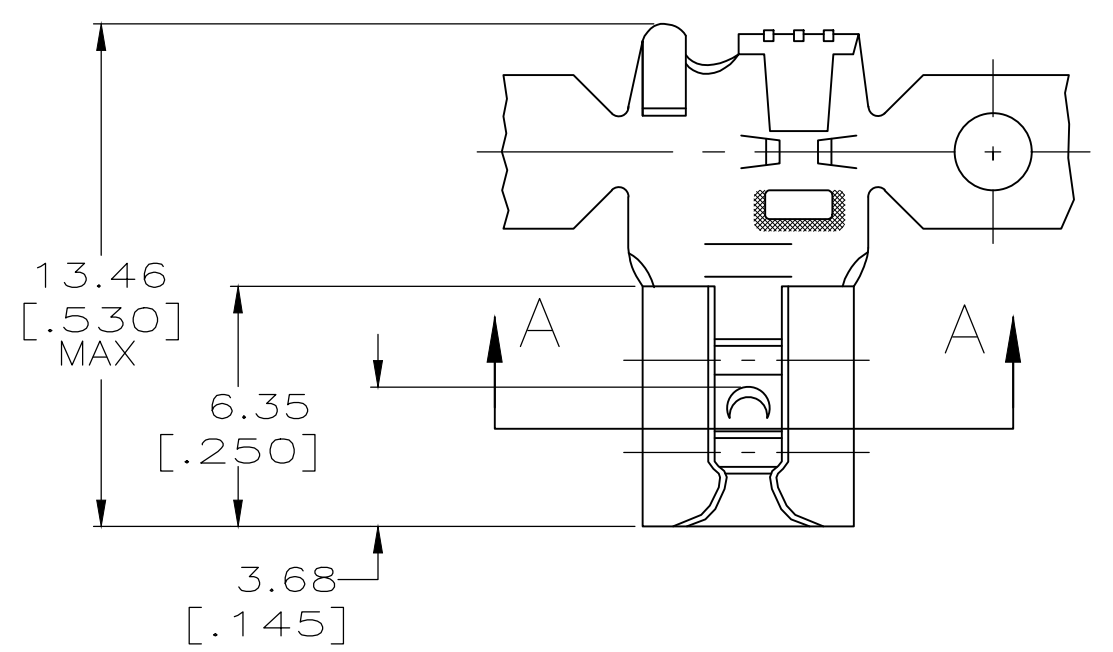
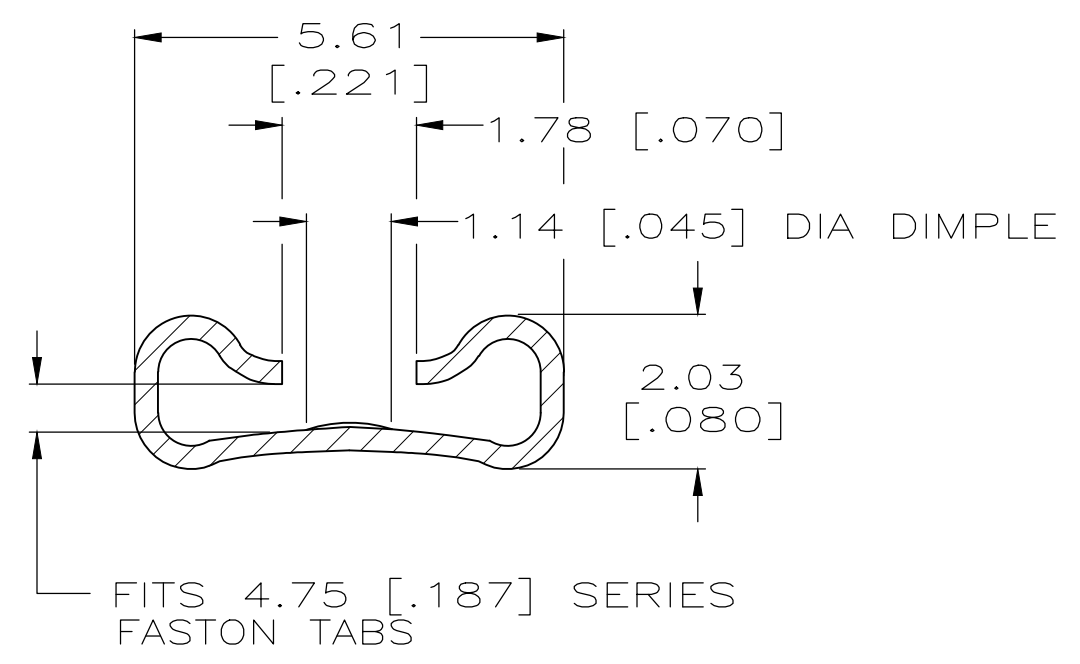


THIS DRAWING IS UNPUBLISHED. RELEASED FOR PUBLICATION
 © COPYRIGHT - By - ALL RIGHTS RESERVED.

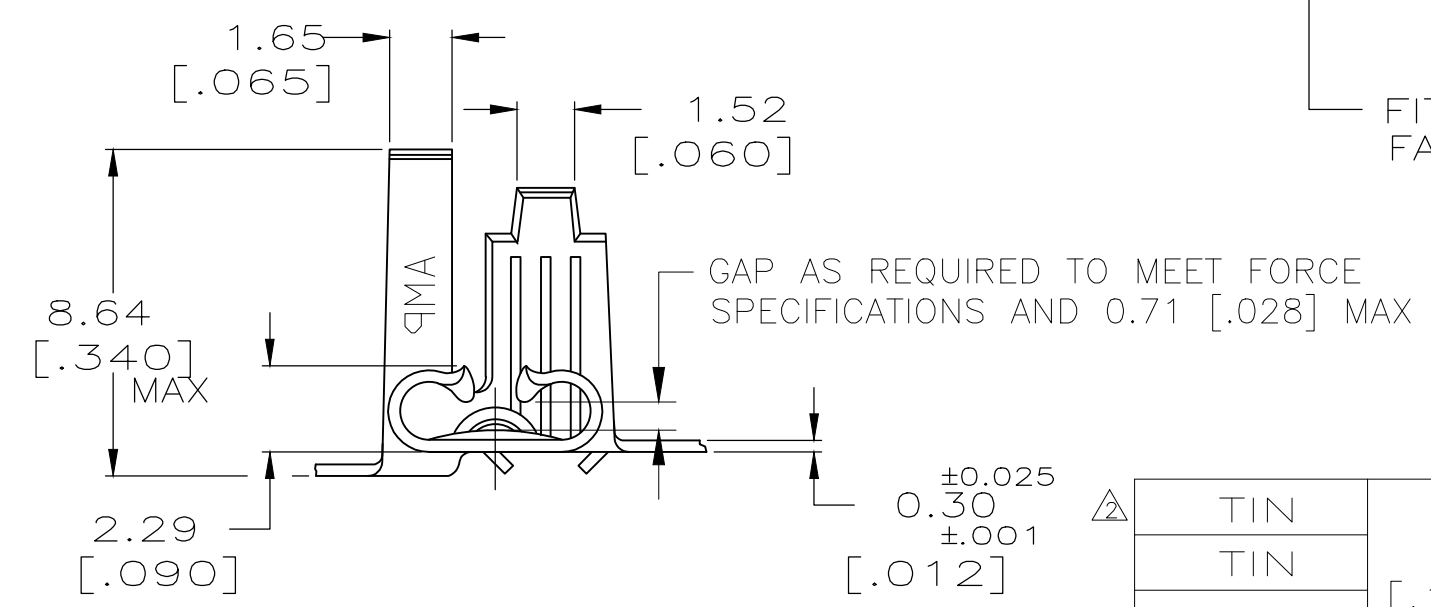
REVISIONS					
P	LTR	DESCRIPTION	DATE	DWN	APVD
	H1	REVISED PER ECR-16-010719	26JUL2016	LP	TD
	H2	REVISED PER ECR-20-009164	15JUL2020	MK	DH



1 CONTINUOUS STRIP ON REELS.
 △ HIGHER 1ST/6TH RETENTION FORCE



SECTION A-A
 SCALE 10:1



TIN	2.79-4.32	0.5-1.3mm ²	0.84-0.76	1-60529-2
TIN	[.110-.170] DIA	[20-16]AWG	[.033-.030]	60529-2
-				60529-1
FINISH	INSULATION RANGE	WIRE SIZE	MATING TAB THK	PART NO

THIS DRAWING IS A CONTROLLED DOCUMENT.		DWN JR RUTH 11/1/91	STE TE Connectivity		
DIMENSIONS: INCHES		CHK MS FEHER 11/1/91			
TOLERANCES UNLESS OTHERWISE SPECIFIED:		APVD C MEYERS 11/1/91	RECEPTACLE, FASTON, 4.75 [.187] SERIES		
0 PLC ± -		PRODUCT SPEC	SIZE		
1 PLC ± -		APPLICATION SPEC	CAGE CODE	DRAWING NO	RESTRICTED TO
2 PLC ± 0.25 [.010]		---	---	---	---
3 PLC ± -		---	---	---	---
4 PLC ± -		---	---	---	---
ANGLES ± -		---	---	---	---
MATERIAL BRASS		FINISH SEE TABLE	WEIGHT 0.000000	A300779	C-60529
CUSTOMER DRAWING			SCALE 5:1	SHEET 1 OF 1	REV H2