

THIS DRAWING IS UNPUBLISHED.

RELEASED FOR PUBLICATION

,19

© COPYRIGHT 19

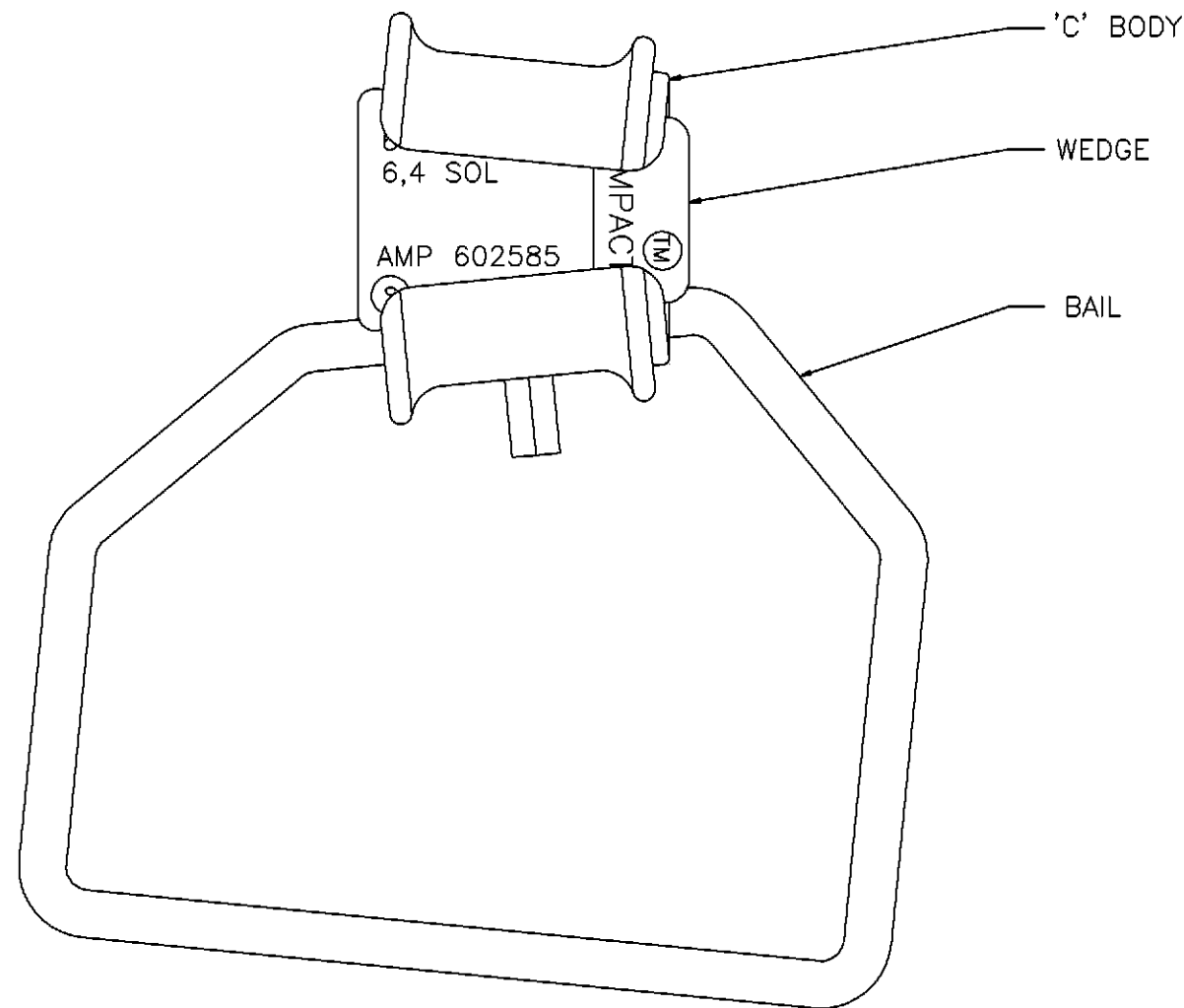
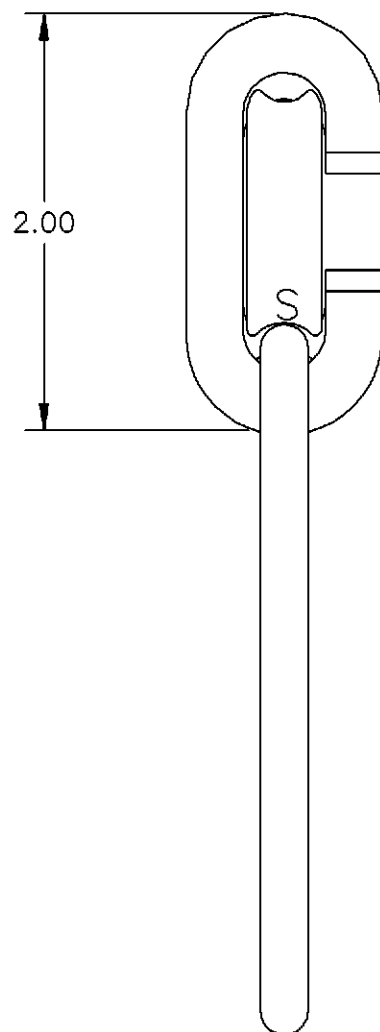
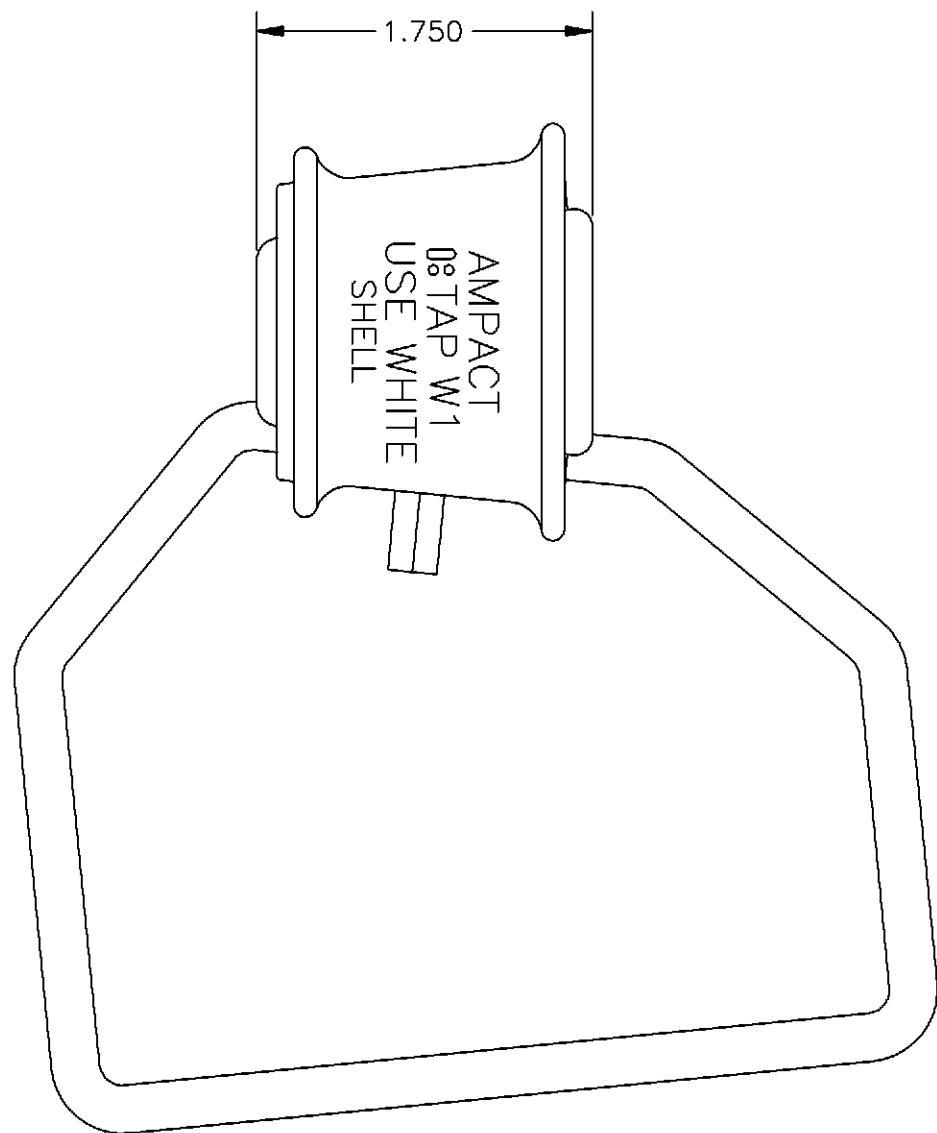
BY AMP INCORPORATED. ALL RIGHTS RESERVED.

LOC
BG

DIST
1

REVISIONS

P	LTR	DESCRIPTION	DATE	DWN	APVD
01		REVISED PER LC00-0004-98	25FEB98	MC	-



1. DIMENSIONS ARE FOR REFERENCE ONLY
2. INHIBITOR IS APPLIED AT FACTORY TO GROOVES OF 'C' BODY AND WEDGE
3. WIRE SIZES ARE MARKED ON WEDGE
4. USE WHITE SHELLS PART NO. 69338-5

TIN PLATED COPPER	ALUM. ALLOY	ALUM. ALLOY	602585
BAIL QTY: 1	WEDGE QTY: 1	'C' BODY QTY: 1	PART NO.

<small>THIS DRAWING IS A CONTROLLED DOCUMENT FOR AMP INCORPORATED. IT IS SUBJECT TO CHANGE AND THE CONTROLLING ENGINEERING ORGANIZATION SHOULD BE CONTACTED FOR THE LATEST REVISION.</small>		DRAWN BY: M CHOW CHECKED BY: - APPROVED BY: - PRODUCT SPEC: - APPLICATION SPEC: - WEIGHT: -	24FEB98 AMP AMP of Canada Ltd Markham, Ontario
DIMENSIONS: INCHES 	TOLERANCES UNLESS OTHERWISE SPECIFIED: 0 PLC ±- 1 PLC ±- 2 PLC ±- 3 PLC ±- 4 PLC ±- ANGLES ±- FINISH -	NAME: STIRRUP, #6 STR, #6 & #4 SOL TYPE II, WHITE CODED, AMPACT SIZE: A3 CAGE CODE: 00779 DRAWING NO: ©= 602585 RESTRICTED TO: -	CUSTOMER DRAWING SCALE: 1:1 SHEET: 1 OF 1 REV: 01