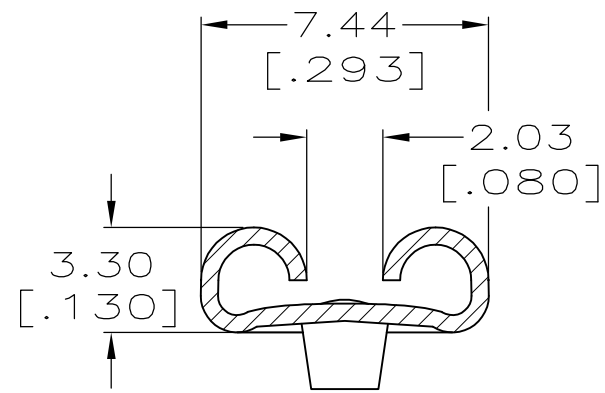
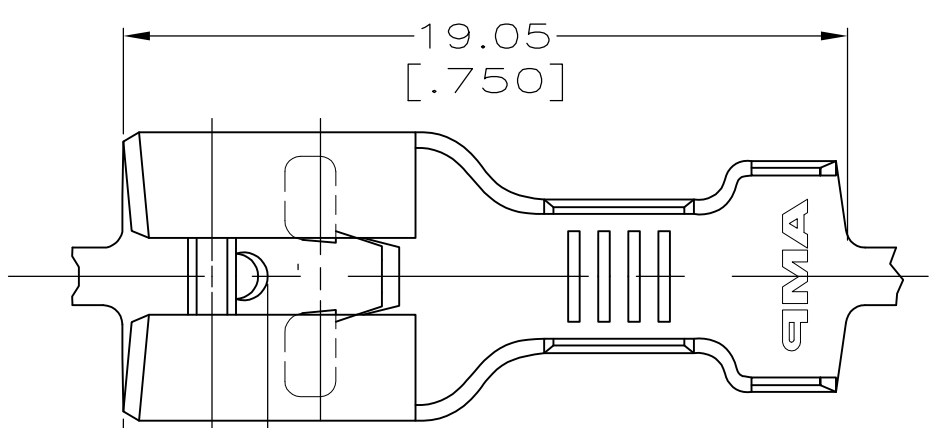


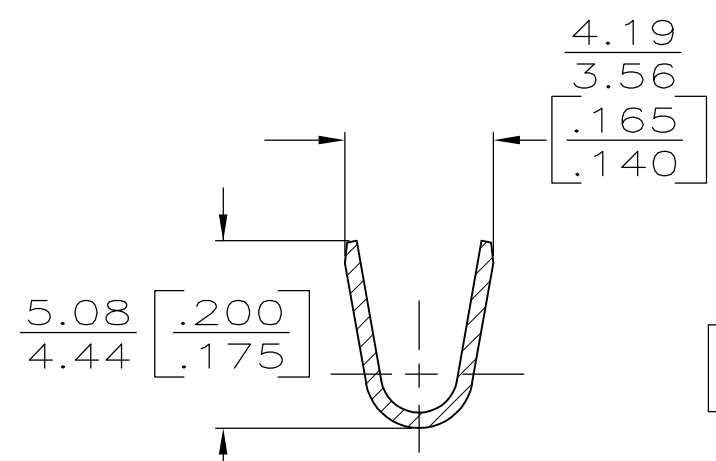
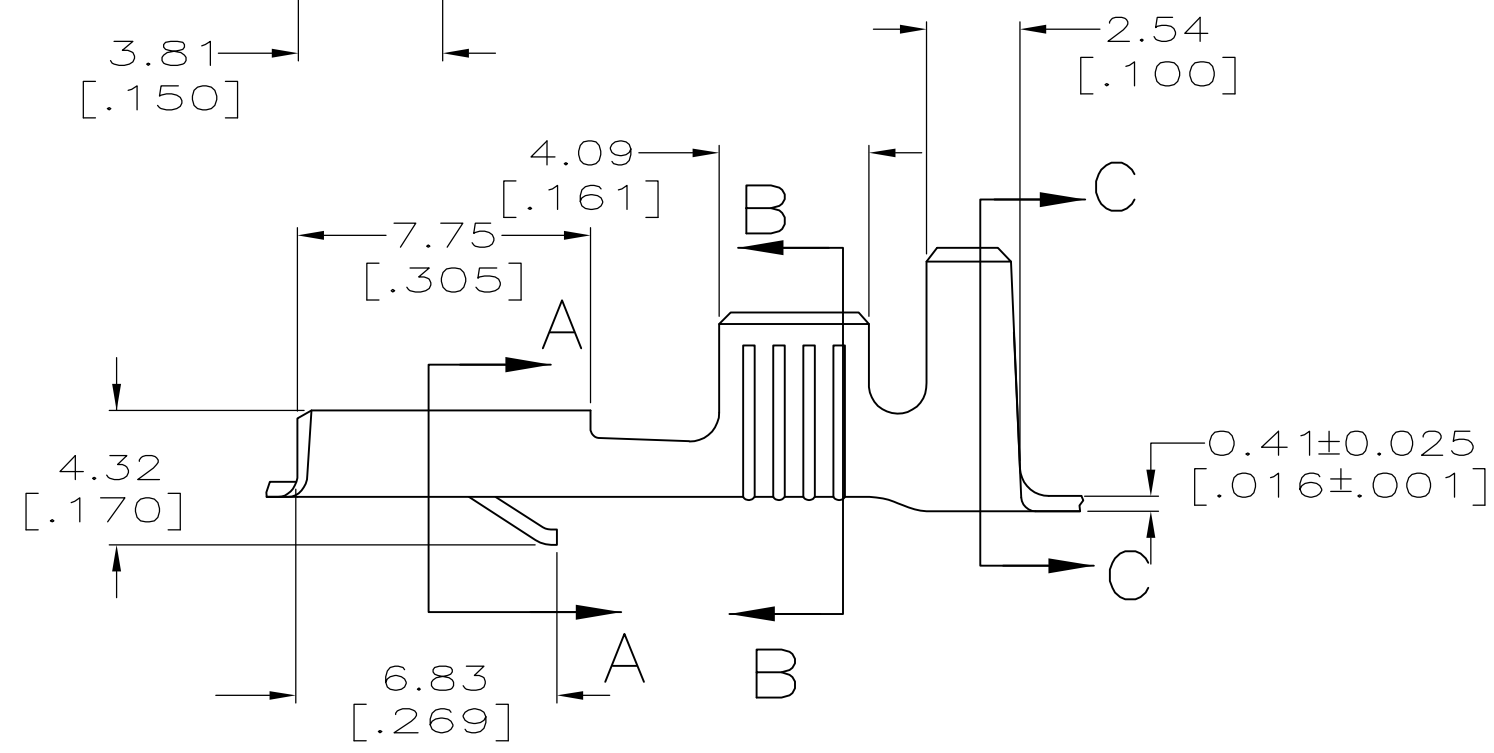
THIS DRAWING IS UNPUBLISHED. RELEASED FOR PUBLICATION
 © COPYRIGHT - By - ALL RIGHTS RESERVED.

LOC	DIST	REVISIONS			
P	LTR	DESCRIPTION	DATE	DWN	APVD
AF	50	G1	ECR-17-008070	05/06/17	GG TD
		G2	REVISED PER ECR-20-009523	8JULY2020	MK EW

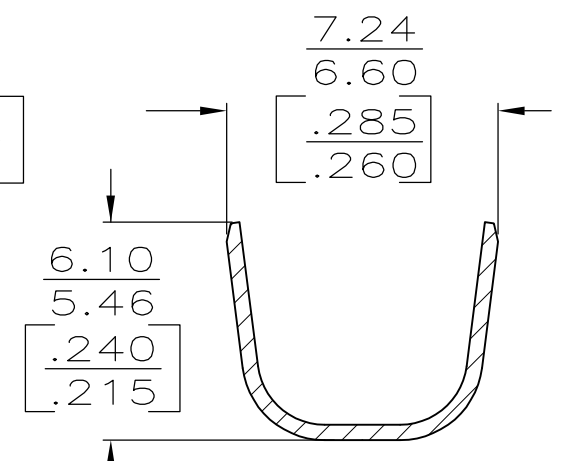
- CONTINUOUS STRIP ON REELS.
- ACCEPTS WIRE SIZE [#16-#12 OR TWO #16'S].
- INSULATION RANGE TO BE 4.06-5.33 [.160-.210] OR TWO 3.30 [.130] MAX DIA.
- MATING TAB THK IS 0.81±0.025 [.032±.001].
- INTERLEAVING PAPER REQUIRED.



SECTION A-A



SECTION B-B



SECTION C-C

△5	0.002032 [.000080] MIN TIN	60249-5
	0.000381 [.000015] THK SILVER	60249-3
	TIN	60249-2
	-	60249-1
	FINISH	PART NO

APPLICATOR DATA		
CRIMP	SIZE	TYPE
WIRE	3.05 mm [.120]	F
INSUL	6.35 mm [.250]	F

WIRE SIZE	CRIMP HEIGHT mm [INCH]
12 AWG	2.18±0.05 [.086±.002]
2x16 AWG	2.03±0.05 [.080±.002]
14 AWG	1.85±0.05 [.073±.002]
16 AWG	1.65±0.05 [.065±.002]

THIS DRAWING IS A CONTROLLED DOCUMENT.

DIMENSIONS: INCHES	TOLERANCES UNLESS OTHERWISE SPECIFIED:
	0 PLC ± -
	1 PLC ± -
	2 PLC ± 0.38 [.015]
	3 PLC ± -
4 PLC ANGLES ± -	± -
MATERIAL: BRASS	FINISH: SEE TABLE

DWN	JR RUTH	7/14/95
CHK	MS FEHER	7/14/95
APVD	J GILLESPIE	7/14/95
PRODUCT SPEC	-	-
APPLICATION SPEC	114-2025	-
WEIGHT	-	-
CUSTOMER DRAWING		

STE TE Connectivity

RECEPTACLE, FASTIN-FASTON, 6.35 [.250] SERIES

SIZE	CAGE CODE	DRAWING NO	RESTRICTED TO
A3	00779	C-60249	-

SCALE: 5:1 SHEET: 1 OF 1 REV: G2