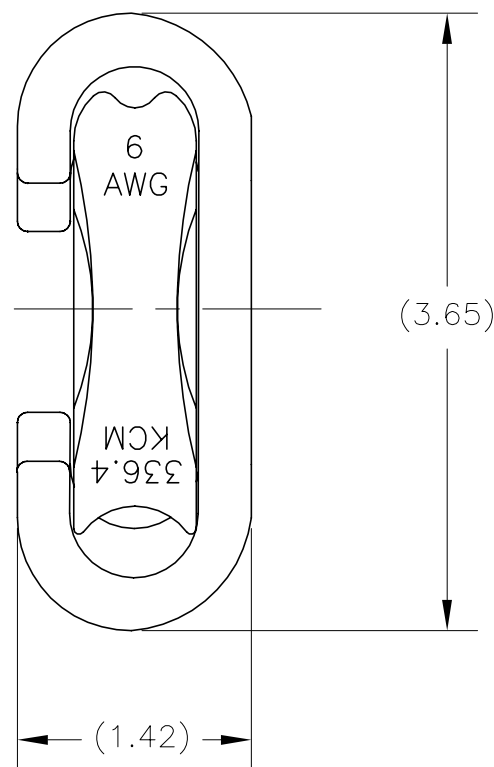
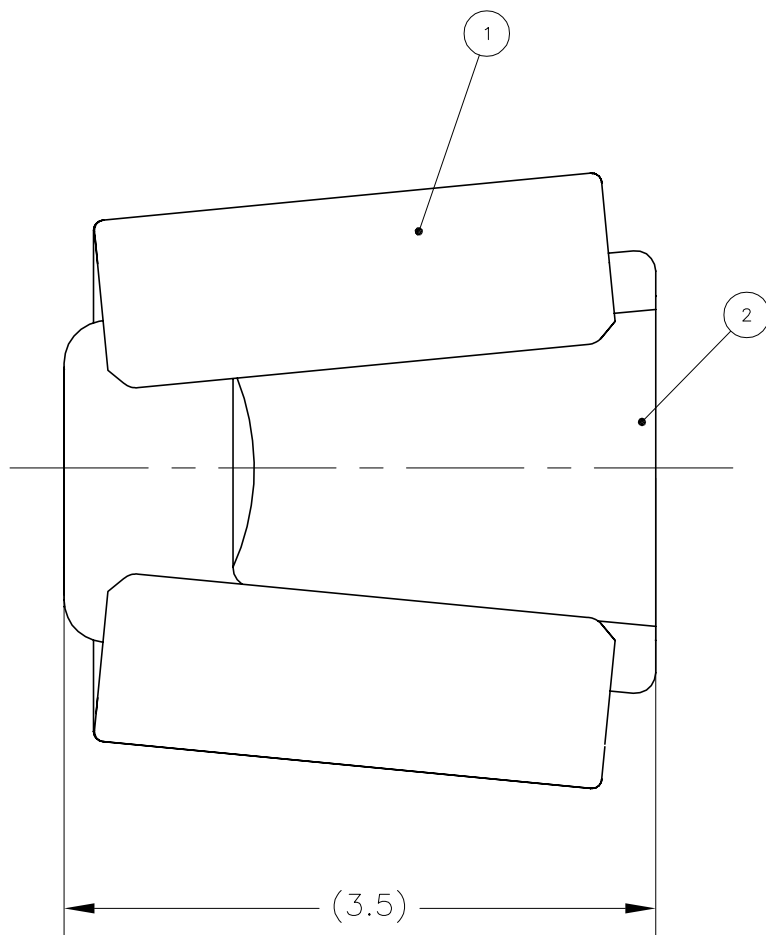


REVISIONS

P	LTR	DESCRIPTION	DATE	DWN	APVD
M		INITIAL REL PER LC20-0052-21	13MAY2021	RS	JO

1. DIMENSIONS ARE FOR REFERENCE ONLY.
2. INHIBITOR IS APPLIED AT FACTORY TO GROOVES OF 'C' BODY AND WEDGE.
3. WIRE SIZES ARE MARKED ON WEDGE
4. USE YELLOW SHELL PART NO. 69338-4.



602014
PART NO.

QTY	DESCRIPTION	ITEM NO
1	WEDGE, ALUM ALLOY	2
1	C BODY, ALUM ALLOY	1
PARTS LIST		

THIS DRAWING IS A CONTROLLED DOCUMENT.		DWN RAVI.S 13MAY2021	TE TE Connectivity													
DIMENSIONS: INCHES		CHK J.GUPPY 13MAY2021														
TOLERANCES UNLESS OTHERWISE SPECIFIED:		APVD J.OPEL 13MAY2021														
<table border="1"> <tr><td>0 PLC</td><td>±</td></tr> <tr><td>1 PLC</td><td>±</td></tr> <tr><td>2 PLC</td><td>±</td></tr> <tr><td>3 PLC</td><td>±</td></tr> <tr><td>4 PLC</td><td>±</td></tr> <tr><td>ANGLES</td><td>±</td></tr> </table>		0 PLC	±	1 PLC	±	2 PLC	±	3 PLC	±	4 PLC	±	ANGLES	±	PRODUCT SPEC —	CONNECTOR, 336.4 KCM - #6 KCM 336.4 SERIES, YELLOW CODED, AMPACT	
0 PLC	±															
1 PLC	±															
2 PLC	±															
3 PLC	±															
4 PLC	±															
ANGLES	±															
MATERIAL		APPLICATION SPEC —														
FINISH —		WEIGHT —	SIZE A3	CAGE CODE 00779	DRAWING NO C=602014	RESTRICTED TO —										
CUSTOMER DRAWING			SCALE NTS	SHEET 1 OF 1	REV M											