

**SPECIFICATIONS**

**ELECTRICAL**

RESISTANCE: 10KΩ ±10%  
 ELECTRICAL ANGLE: 350° ±1°  
 CONTINUITY ANGLE: 357°MIN  
 LINEARITY: INDEPENDENT, 0.5%  
 MINIMUM VOLTAGE: 0.1% MAX  
 RESOLUTION: VIRTUALLY INFINITE  
 OUTPUT SMOOTHNESS: 0.1% MAX  
 RESISTANCE TEMPERATURE COEFFICIENT: ±400 PPM/°C MAX  
 POWER RATING: 2.0 WATT MAX @ 70°C,  
 DERATED TO 0.0 WATT @ 125°C  
 WIPER CONTACT CURRENT: 10 MILLIAMPS MAX  
 DIELECTRIC STRENGTH: 1000 VRMS @ 60 Hz  
 INSULATION RESISTANCE: 100 MEG OHMS @ 500 VDC

**MECHANICAL**

ROTATION: CONTINUOUS 360°  
 WEIGHT, (1 GANG): 3.5 OZ MAX  
 MECH BACKLASH: <0.1°  
 START TORQUE: 0.5 OZ-IN MAX,  
 RUNNING TORQUE: 0.4 OZ-IN MAX  
 PILOT RUNOUT: 0.001 T.I.R.  
 SHAFT RUNOUT: 0.001 T.I.R.  
 SHAFT END PLAY: 0.003 MAX  
 SHAFT RADIAL PLAY: 0.001 T.I.R.  
 LATERAL RUNOUT: 0.002 T.I.R.

**ENVIRONMENTAL**

OPERATING TEMPERATURE: -65°C TO +125°C  
 ROTATIONAL LIFE: 50 MILLION CYCLES MIN  
 DITHER LIFE: 50 MILLION CYCLES @ 60HZ OVER 5°  
 SHOCK: SAWTOOTH 100G PEAK PER MIL-STD-202  
 METHOD 213, TEST CONDITION I  
 VIBRATION: HIGH FREQ; SWEPT 10 - 2000HZ, 15G PEAK  
 PER MIL-STD-202 TEST CONDITION B

**MATERIALS**

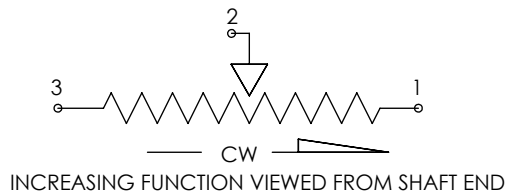
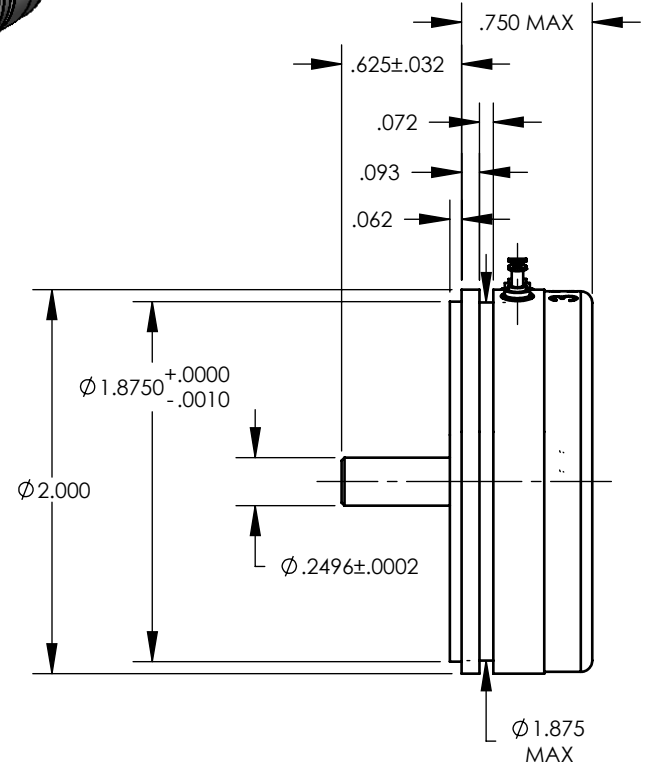
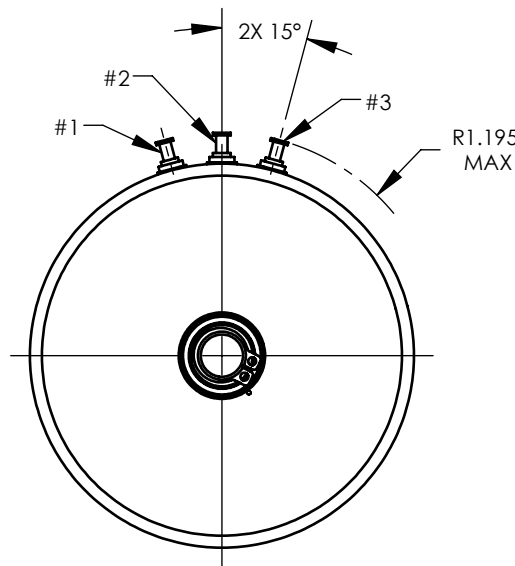
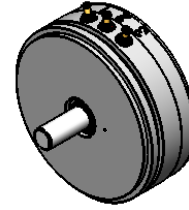
HOUSING AND COVER: ANODIZED ALUMINUM  
 SHAFT: PASSIVATED CENTERLESS GROUND SST  
 BEARINGS: PRECISION MINIATURE BALL  
 ROTOR: BERYLLIUM COPPER  
 CONTACTS: MULTI-FINGER PRECIOUS METAL  
 ELEMENT: CO-MOLDED CONDUCTIVE PLASTIC  
 TERMINALS: GOLD PLATED BRASS

**NOTES: UNLESS OTHERWISE SPECIFIED**

1. ALL ELECTRICAL, MECHANICAL, AND ENVIRONMENTAL SPECIFICATIONS ARE IAW MIL-PRF-39023

<b>CUSTOMER:</b>	CATALOG
<b>CUSTOMER DWG/REV:</b>	N/A

CHANGE HISTORY				
REV	DESCRIPTION	DATE	DRAWN	APPROVD
A0	RELEASE	10/12/92		DARB
A1	ECN 830-SSC	8/30/07		DDA
A2	ECN 938-SSC	4/29/08		DAO
B0	ECN 2985-SSC	8/19/10	JDD	PDC
B1	ECN 4824-SSC	2/12/14	JDD	BD



<p><b>PROPRIETARY AND CONFIDENTIAL</b></p> <p>THE INFORMATION CONTAINED IN THIS DRAWING IS THE SOLE PROPERTY OF MEASUREMENT SPECIALTIES. ANY REPRODUCTION IN PART OR AS A WHOLE WITHOUT THE WRITTEN PERMISSION OF MEASUREMENT SPECIALTIES IS STRICTLY PROHIBITED.</p>	<p><b>EAR CONTROL</b></p> <p>TECHNICAL INFORMATION SUBJECT TO EXPORT ADMINISTRATION REGULATIONS (EAR). THIS TECHNICAL INFORMATION IS PROHIBITED FROM TRANSFER OR DISCLOSURE IN ANY MANNER TO NON-U.S. PERSONS IN THE UNITED STATES OR ABROAD WITHOUT PRIOR APPROVAL BY THE U.S. COMMERCE DEPARTMENT OR APPLICABLE EAR EXEMPTION.</p>		<table border="1"> <tr> <th>NAME</th> <th>DATE</th> </tr> <tr> <td>D. TREE</td> <td>10/12/92</td> </tr> <tr> <td>CHECKED</td> <td></td> </tr> <tr> <td>ENG APPR.</td> <td></td> </tr> <tr> <td>MFG APPR.</td> <td></td> </tr> <tr> <td>Q.A.</td> <td></td> </tr> </table>	NAME	DATE	D. TREE	10/12/92	CHECKED		ENG APPR.		MFG APPR.		Q.A.		<p><b>measurement SPECIALTIES™</b></p> <p><b>POTENTIOMETER</b></p> <p>CAGE CODE 5W885 DWG. NO. 6020-1003-030</p>
	NAME	DATE														
	D. TREE	10/12/92														
	CHECKED															
ENG APPR.																
MFG APPR.																
Q.A.																
<p>DIMENSIONS ARE IN INCHES</p> <p>TOLERANCES:</p> <p>ANGULAR ±2°</p> <p>TWO PLACE DECIMAL ±.01</p> <p>THREE PLACE DECIMAL ±.005</p> <p>FOUR PLACE DECIMAL ±.0005</p>	<p>MATERIAL NOTED</p> <p>FINISH NOTED</p>	<p>Information in this box is for Engineering Reference Only</p>														
<p>DO NOT SCALE DRAWING</p>																
<p>SHEET 1 OF 1</p>																