

SPECIFICATIONS

ELECTRICAL

RESISTANCE: 10KΩ ±10%
 ELECTRICAL ANGLE: 340° ±2°
 CONTINUITY ANGLE: 352°MIN
 LINEARITY: ±0.5% INDEPENDENT
 MINIMUM VOLTAGE: 0.1% MAX
 RESOLUTION: VIRTUALLY INFINITE
 OUTPUT SMOOTHNESS: 0.1% MAX
 RESISTANCE TEMPERATURE COEFFICIENT: ±400 PPM/°C MAX
 POWER RATING: 1.5 WATT MAX @ 70°C,
 DERATED TO 0.0 WATT @ 125°C
 WIPER CONTACT CURRENT: 10 MILLIAMPS MAX
 DIELECTRIC STRENGTH: 1,000 VRMS @ 60 Hz
 INSULATION RESISTANCE: 100 MEG OHMS @ 500 VDC

MECHANICAL

ROTATION: CONTINUOUS 360°
 WEIGHT: (1 GANG) 2.0 OZ MAX
 MECH BACKLASH: <0.1°
 START TORQUE: 0.3 OZ-IN MAX
 RUNNING TORQUE: 0.2 OZ-IN MAX
 PILOT RUNOUT: 0.001 T.I.R.
 SHAFT RUNOUT: 0.001 T.I.R.
 SHAFT END PLAY: 0.003 MAX
 SHAFT RADIAL PLAY: 0.001 T.I.R.
 LATERAL RUNOUT: 0.002 T.I.R.

ENVIRONMENTAL

OPERATING TEMPERATURE: -65°C TO +125°C
 ROTATIONAL LIFE: 50 MILLION CYCLES MIN
 DITHER LIFE: 50 MILLION CYCLES @ 60HZ OVER 5°
 SHOCK: SAWTOOTH 100G PEAK PER MIL-STD-202
 METHOD 213, TEST CONDITION I
 VIBRATION: HIGH FREQ; SWEPT 10 - 2000HZ, 15G
 PEAK

PER MIL-STD-202 TEST CONDITION B

MATERIALS

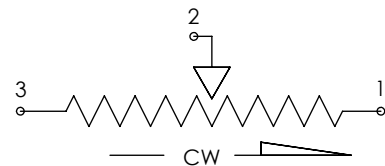
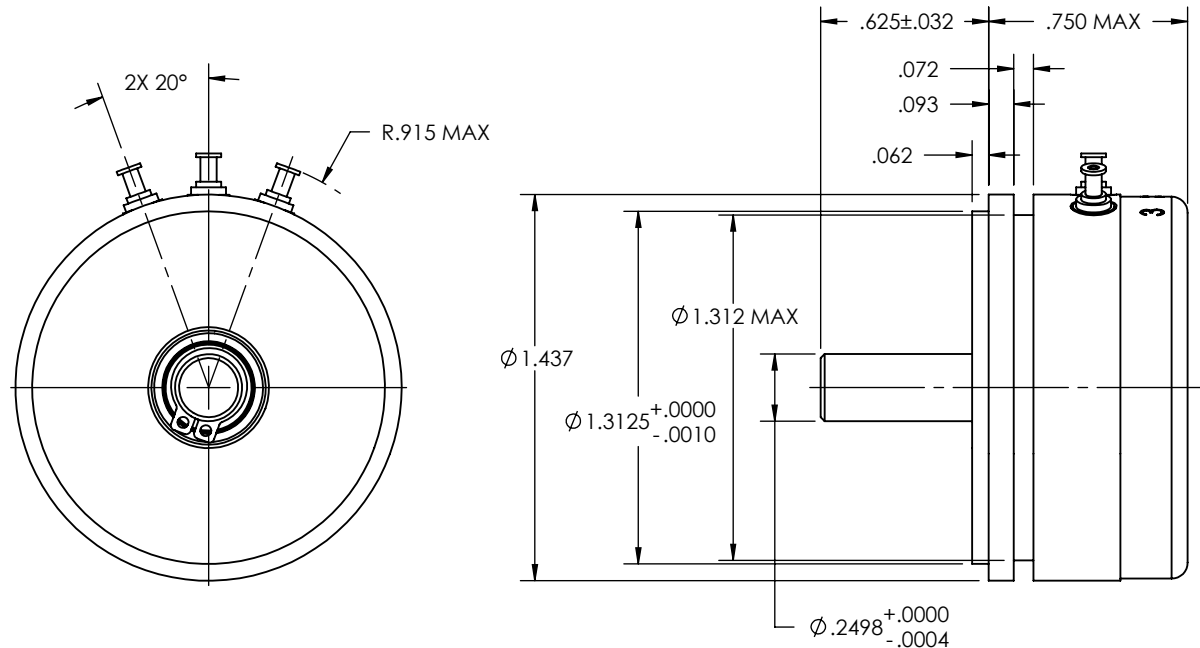
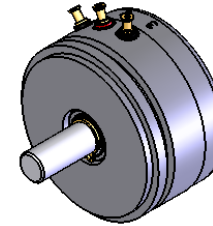
HOUSING AND COVER: ANODIZED ALUMINUM
 SHAFT: PASSIVATED STAINLESS STEEL
 BEARINGS: PRECISION MINIATURE BALL
 ROTOR: BERYLLIUM COPPER
 CONTACTS: MULTI-FINGER PRECIOUS METAL
 ELEMENT: CO-MOLDED CONDUCTIVE PLASTIC
 TERMINALS: GOLD PLATED BRASS

UNLESS OTHERWISE SPECIFIED

ALL ELECTRICAL, MECHANICAL, AND ENVIRONMENTAL SPECIFICATIONS ARE IAW MIL-PRF-39023

CUSTOMER:	CATALOG
CUSTOMER DWG/REV:	N/A

CHANGE HISTORY				
REV	DESCRIPTION	DATE	DRAWN	APPROVED
A	RELEASE	10/7/92		DARB
B0	ECN 5137	10/2/14	JDD	BSJ
B1	ECN 6167	7/17/17	JDD	PDC



INCREASING FUNCTION VIEWED FROM SHAFT END

<p>PROPRIETARY AND CONFIDENTIAL</p> <p>THE INFORMATION CONTAINED IN THIS DRAWING IS THE SOLE PROPERTY OF TE CONNECTIVITY. ANY REPRODUCTION IN PART OR AS A WHOLE WITHOUT THE WRITTEN PERMISSION OF TE CONNECTIVITY IS STRICTLY PROHIBITED.</p>	EAR CONTROL		<table border="1"> <tr> <td>NAME</td> <td>DATE</td> </tr> <tr> <td>D. TREE</td> <td>10/7/92</td> </tr> </table>		NAME	DATE	D. TREE	10/7/92	
	NAME	DATE							
	D. TREE	10/7/92							
	<p>TECHNICAL INFORMATION SUBJECT TO EXPORT ADMINISTRATION REGULATIONS (EAR). THIS TECHNICAL INFORMATION IS PROHIBITED FROM TRANSFER OR DISCLOSURE IN ANY MANNER TO NON-U.S. PERSONS IN THE UNITED STATES OR ABROAD WITHOUT PRIOR APPROVAL BY THE U.S. COMMERCE DEPARTMENT OR APPLICABLE EAR EXEMPTION.</p>		<table border="1"> <tr> <td>CHECKED</td> <td></td> </tr> <tr> <td>ENG APPR.</td> <td></td> </tr> <tr> <td>MFG APPR.</td> <td></td> </tr> </table>	CHECKED		ENG APPR.		MFG APPR.	
CHECKED									
ENG APPR.									
MFG APPR.									
<p>DIMENSIONS ARE IN INCHES TOLERANCES: ANGULAR ±2° TWO PLACE DECIMAL ±.01 THREE PLACE DECIMAL ±.005 FOUR PLACE DECIMAL ±.0005</p>		<table border="1"> <tr> <td>MATERIAL</td> <td>NOTED</td> </tr> <tr> <td>FINISH</td> <td>NOTED</td> </tr> </table>	MATERIAL	NOTED	FINISH	NOTED	<p>Q.A.</p>		
MATERIAL	NOTED								
FINISH	NOTED								
<p>DO NOT SCALE DRAWING</p>		<p>Information in this box is for Engineering Reference Only</p>							

POTENTIOMETER	
CAGE CODE 5W885	DWG. NO. 6015-1003-030
SHEET 1 OF 1	