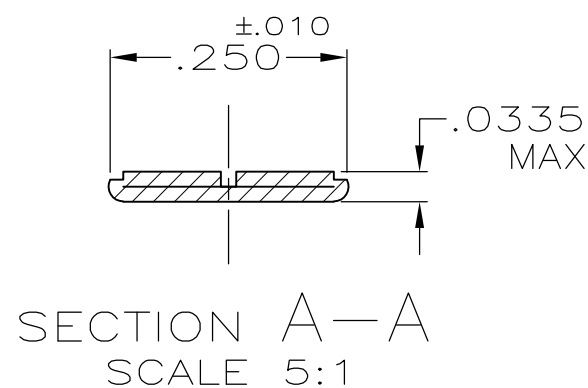
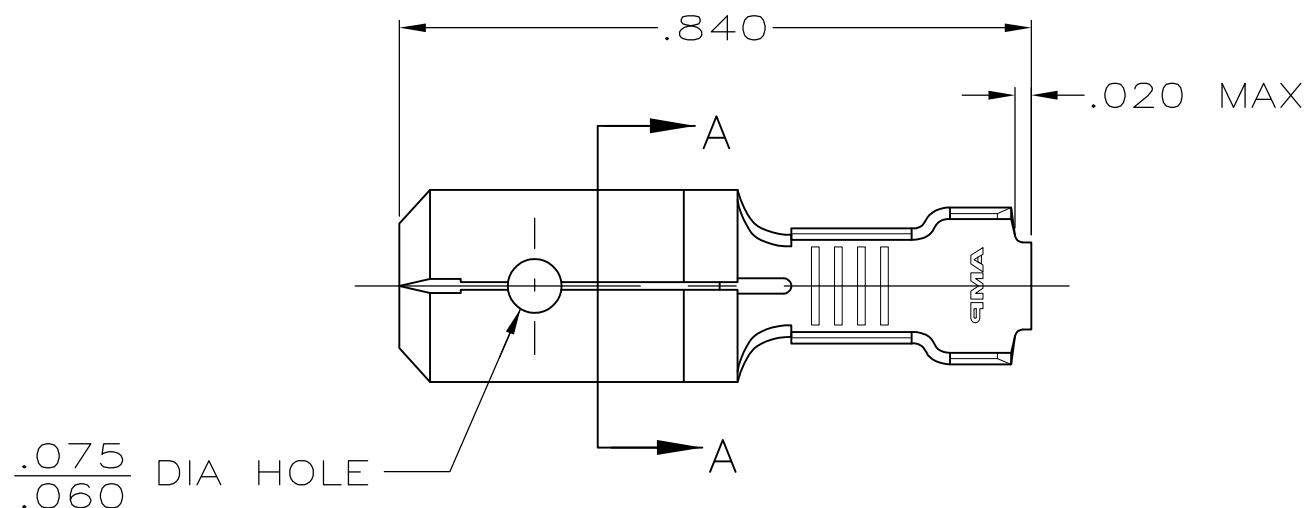
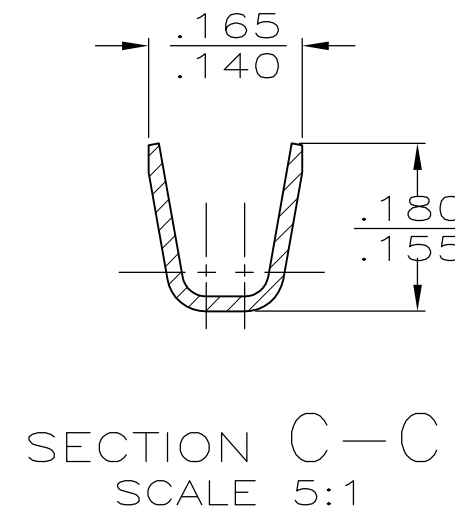
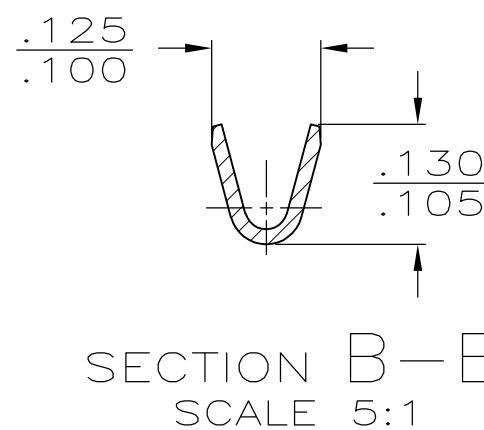
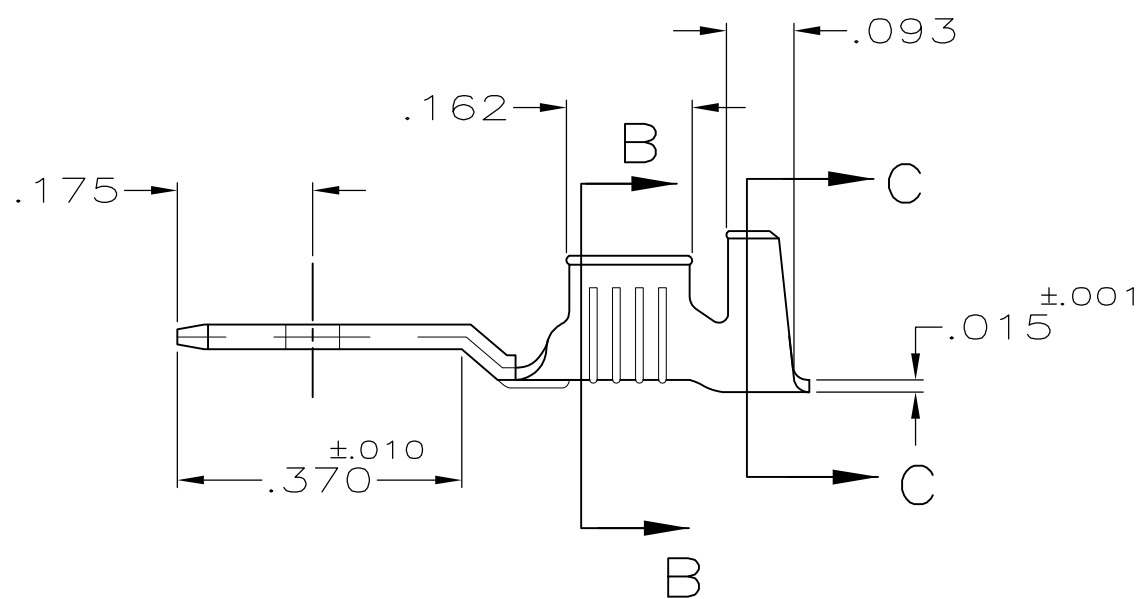


THIS DRAWING IS UNPUBLISHED. RELEASED FOR PUBLICATION
 © COPYRIGHT BY TYCO ELECTRONICS CORPORATION. ALL INTERNATIONAL RIGHTS RESERVED.

LOC	DIST	REVISIONS			
P	LTR	DESCRIPTION	DATE	DWN	APVD
AF	50	A	REVISED PER ECR-10-004058	08JUN10	HMR PD



- 1. SUPPLIED IN LOOSE PIECE.
- 2. FOREIGN PRODUCTION ONLY.



THIS DRAWING IS A CONTROLLED DOCUMENT.		DWN JR RUTH 11/2/95	.080-.120 DIA		22-18 AWG	△ 60141-2
DIMENSIONS: INCHES		CHK MS FEHER 11/2/95	INSULATION RANGE		WIRE SIZE	PART NO
TOLERANCES UNLESS OTHERWISE SPECIFIED:		APVD P DESANTIS 11/2/95	Tyco Electronics Corporation Harrisburg, PA 17105-3608		NAME TAB, FASTON,™ .250 SERIES	
MATERIAL: 082 BRASS		FINISH: TIN	APPLICATION SPEC		SIZE: A3	CAGE CODE: 00779
0 PLC ± -		1 PLC ± -	WEIGHT: -		DRAWING NO: C-60141	RESTRICTED TO: -
2 PLC ± -		3 PLC ± .015	CUSTOMER DRAWING		SCALE: 4:1	SHEET: 1 OF 1
4 PLC ± -		ANGLES ± -	SCALE: 4:1		SHEET: 1 OF 1	REV: A