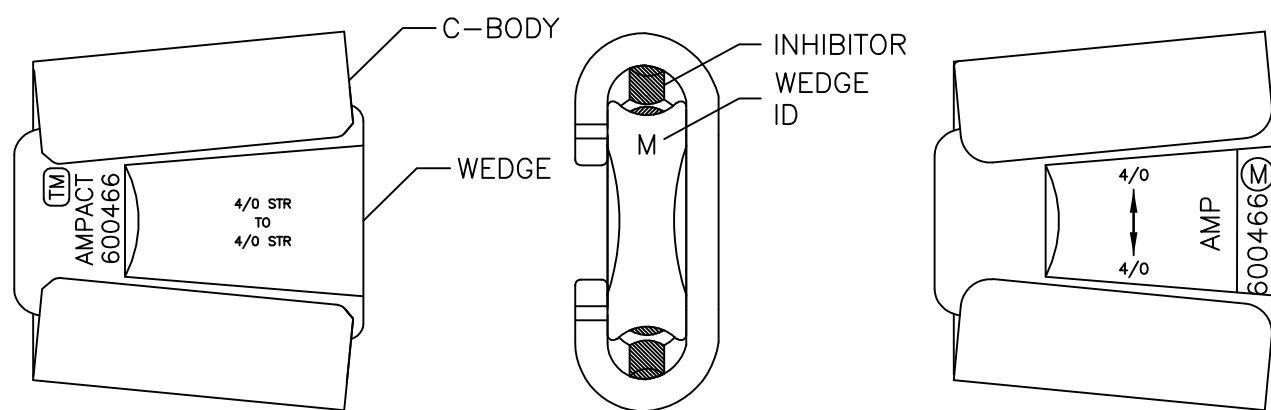
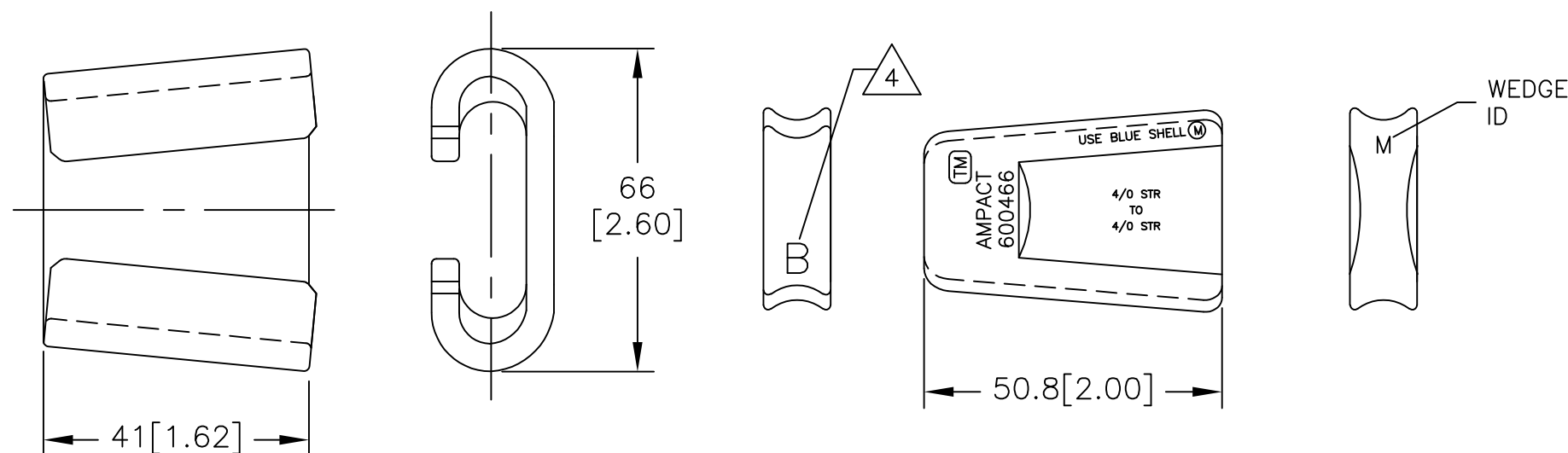


THIS DRAWING IS UNPUBLISHED. RELEASED FOR PUBLICATION
 © COPYRIGHT - BY TYCO ELECTRONICS CORPORATION. ALL RIGHTS RESERVED.

LOC	DIST	REVISIONS					
GA	1	P	LTR	DESCRIPTION	DATE	DWN	APVD
			C	PER LC20-0248-07 / ECO-07-023130	24OCT07	DM	BJ

- DIMENSIONS ARE FOR REFERENCE ONLY.
 - INHIBITOR IS APPLIED AT FACTORY TO GROOVES OF 'C' BODY AND WEDGE.
 - FOR CONNECTOR P/N 600466, WIRE SIZES ARE MARKED ON WEDGE. USE BLUE CARTRIDGE P/N 69338-1 AND INSTALL 600466 WITH AMP TOOL P/N 69437.
- △ 4 FOR CONNECTOR P/N 600466-1, WEDGE IS MARKED WITH LETTER "B" ON FRONT FACE. NO WIRE SIZE, WEDGE ID & P/N ARE SHOWN ON THE WEDGE. 600466-1 IS INSTALLED WITH BATTERY TOOL ONLY.



ALTERNATE MARKING ON WEDGE

ALUM. ALLOY	ALUM. ALLOY	600466-1
ALUM. ALLOY	ALUM. ALLOY	600466
WEDGE QTY: 1	'C' BODY QTY: 1	PART NO.

THIS DRAWING IS A CONTROLLED DOCUMENT.		DWN M. SAYMAN 26 JUN 97	Tyco Electronics Corporation Markham, ON L3R-1E1		
DIMENSIONS: MM [INCHES]		CHK G. MENCHELLA 30 JUN 97	NAME CONNECTOR, 4/0-4/0, MEDIUM SERIES, BLUE CODED, AMPACT		
TOLERANCES UNLESS OTHERWISE SPECIFIED:		APVD P. CHAN 30 JUN 97	PRODUCT SPEC		
0 PLC ±		APPLICATION SPEC			
1 PLC ±		SIZE			
2 PLC ±		CAGE CODE			
3 PLC ±		DRAWING NO			
4 PLC ±		RESTRICTED TO			
ANGLES ±		A3 00779 C-600466			
FINISH		WEIGHT			
SEE TABLE		CUSTOMER DRAWING			
		SCALE		SHEET	
		NTS		1 OF 1	
				REV C	