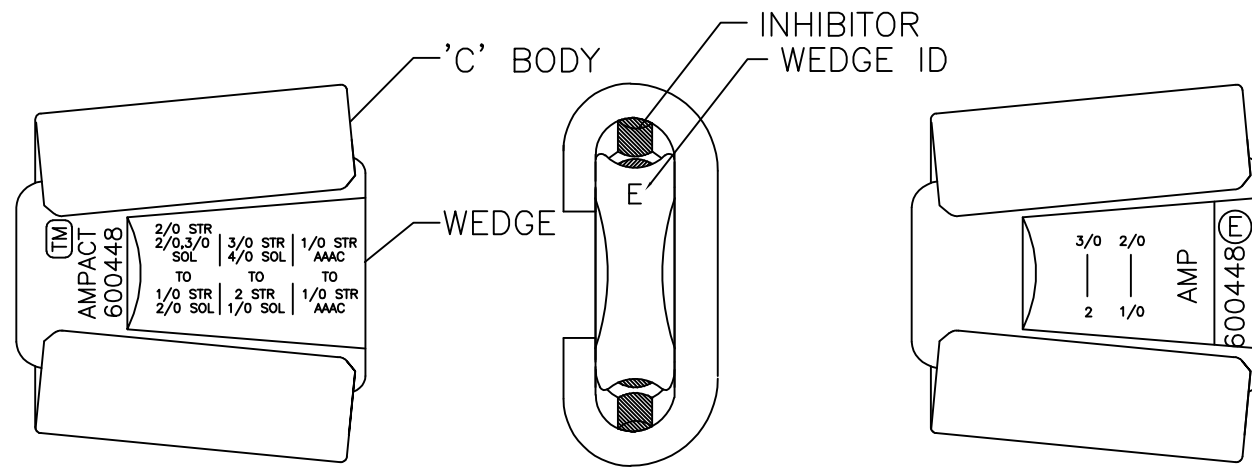
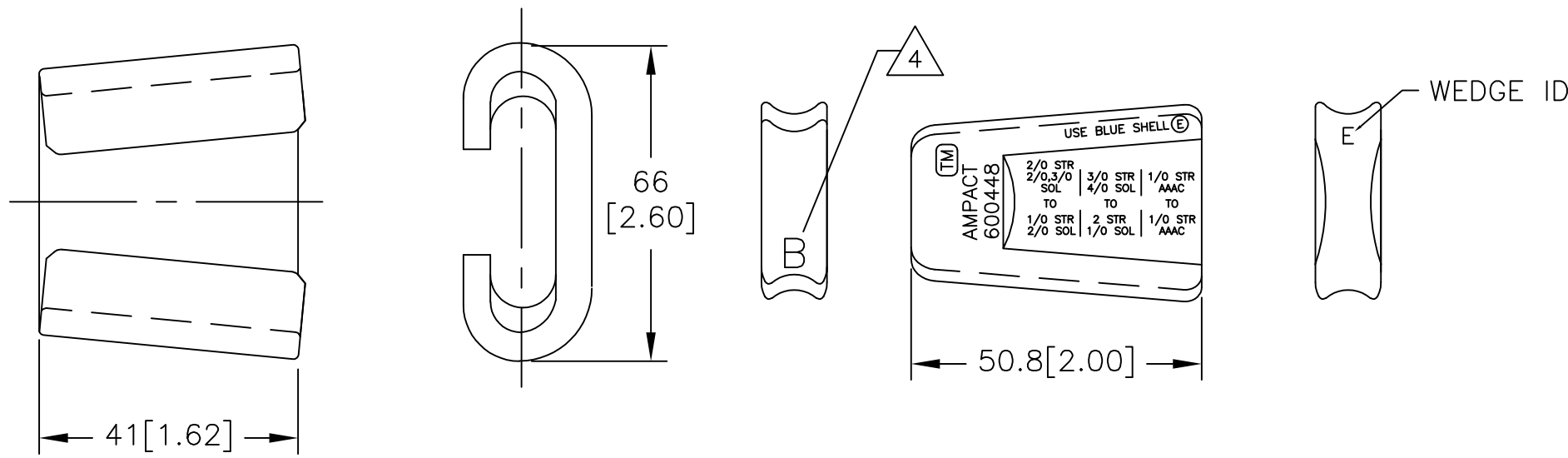


THIS DRAWING IS UNPUBLISHED. RELEASED FOR PUBLICATION
 © COPYRIGHT BY TYCO ELECTRONICS CORPORATION. ALL RIGHTS RESERVED.

LOC	DIST	REVISIONS					
GA	1	P	LTR	DESCRIPTION	DATE	DWN	APVD
			C	PER LC20-0248-07 / ECO-07-023130	24OCT07	DM	BJ

- DIMENSIONS ARE FOR REFERENCE ONLY.
 - INHIBITOR IS APPLIED AT FACTORY TO GROOVES OF 'C' BODY AND WEDGE.
 - FOR CONNECTOR P/N 600448, WIRE SIZES ARE MARKED ON WEDGE. USE BLUE CARTRIDGE P/N 69338-1 AND INSTALL 600448 WITH AMP TOOL P/N 69437.
- △ 4 FOR CONNECTOR P/N: 600448-1, WEDGE IS MARKED WITH LETTER "B" ON FRONT FACE. NO WIRE SIZE, WEDGE ID & P/N ARE SHOWN ON THE WEDGE. 600448-1 IS INSTALLED WITH BATTERY TOOL ONLY.



ALTERNATE MARKING ON WEDGE

ALUM. ALLOY	ALUM. ALLOY	600448-1
ALUM. ALLOY	ALUM. ALLOY	600448
WEDGE QTY: 1	'C' BODY QTY: 1	PART NO.

THIS DRAWING IS A CONTROLLED DOCUMENT.		DWN M. SAYMAN 26 JUN 97	Tyco Electronics Corporation Markham, ON L3R-1E1	
DIMENSIONS: MM [INCHES]		CHK G. MENCHELLA 30 JUN 97	NAME CONNECTOR, 3/0-2, 2/0-1/0, MEDIUM SERIES, BLUE CODED, AMPACT	
TOLERANCES UNLESS OTHERWISE SPECIFIED:		APVD P. CHAN 30 JUN 97	PRODUCT SPEC	
0 PLC ±		APPLICATION SPEC		
1 PLC ±		SIZE		
2 PLC ±		CAGE CODE		
3 PLC ±		DRAWING NO		
4 PLC ±		RESTRICTED TO		
ANGLES ±		A3 00779 C-600448		
FINISH		WEIGHT		
SEE TABLE		CUSTOMER DRAWING		
		SCALE		SHEET
		NTS		1 OF 1
				REV C