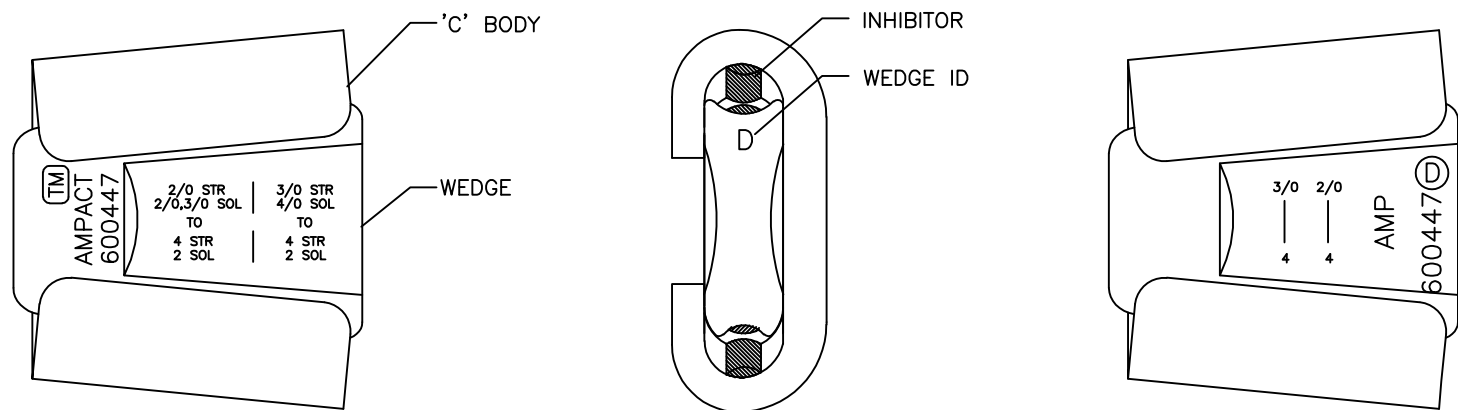
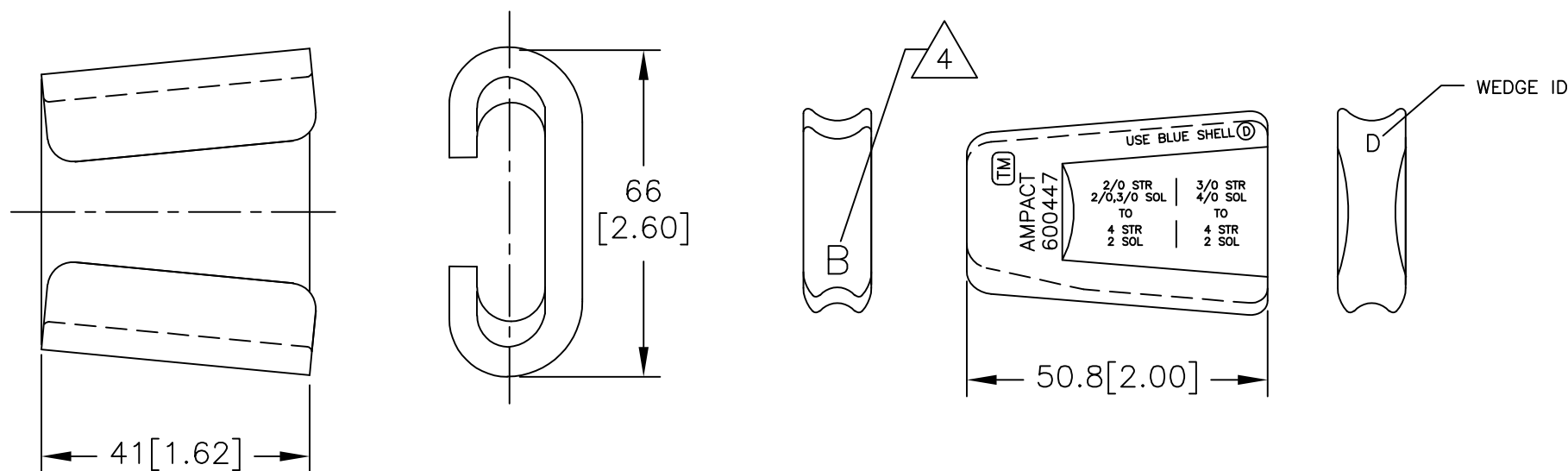


THIS DRAWING IS UNPUBLISHED. RELEASED FOR PUBLICATION  
 © COPYRIGHT BY TYCO ELECTRONICS CORPORATION. ALL RIGHTS RESERVED.

LOC	DIST	REVISIONS					
GA	1	P	LTR	DESCRIPTION	DATE	DWN	APVD
			C	PER LC20-0248-07 / ECO-07-023130	23OCT07	DM	BJ

- DIMENSIONS ARE FOR REFERENCE ONLY.
  - INHIBITOR IS APPLIED AT FACTORY TO GROOVES OF 'C' BODY AND WEDGE.
  - FOR CONNECTOR P/N 600447, WIRE SIZES ARE MARKED ON WEDGE. USE BLUE CARTRIDGE P/N 69338-1 AND INSTALL 600447 WITH AMP TOOL P/N 69437.
- △ 4 FOR CONNECTOR P/N: 600447-1, WEDGE IS MARKED WITH LETTER "B" ON FRONT FACE. NO WIRE SIZE, WEDGE ID & P/N ARE SHOWN ON THE WEDGE. 600447-1 IS INSTALLED WITH BATTERY TOOL ONLY.



ALTERNATE MARKING ON WEDGE

ALUM. ALLOY	ALUM. ALLOY	600447-1
ALUM. ALLOY	ALUM. ALLOY	600447
WEDGE QTY: 1	'C' BODY QTY: 1	PART NO.

THIS DRAWING IS A CONTROLLED DOCUMENT.		DWN	M. SAYMAN	26 JUN 97	Tyco Electronics Corporation Markham, ON L3R-1E1		
DIMENSIONS: MM [INCHES]		CHK	G. MENCHELLA	30 JUN 97	NAME		
TOLERANCES UNLESS OTHERWISE SPECIFIED:		APVD	P. CHAN	30 JUN 97	CONNECTOR, 3/0-4, 2/0-4, MEDIUM SERIES, BLUE CODED, AMPACT		
0 PLC ±		PRODUCT SPEC		SIZE			
1 PLC ±		APPLICATION SPEC		CAGE CODE		DRAWING NO	
2 PLC ±		WEIGHT		A3 00779		G-600447	
3 PLC ±		CUSTOMER DRAWING		SCALE		SHEET 1 OF 1	
4 PLC ±		FINISH		NTS		REV C	
ANGLES ±		RESTRICTED TO		-			
MATERIAL SEE TABLE		FINISH		-			