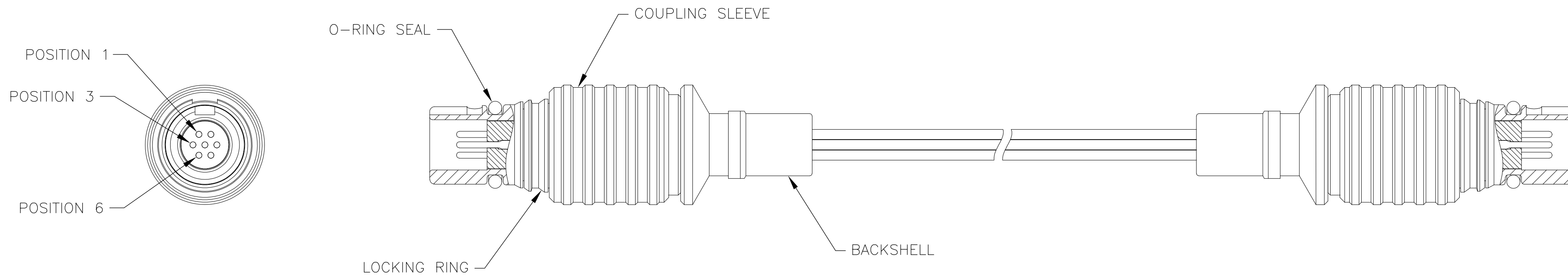
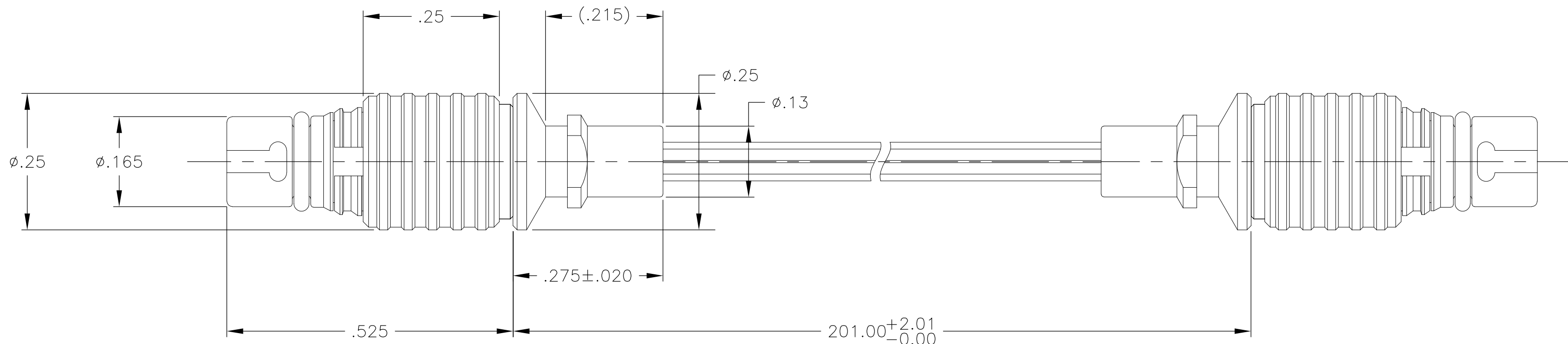


THIS DRAWING IS UNPUBLISHED. RELEASED FOR PUBLICATION
 © COPYRIGHT - By - ALL RIGHTS RESERVED.

LOC		DIST		REVISIONS			
P	LTR	DESCRIPTION		DATE	DWN	APVD	
-	-	A	PRODUCTION RELEASE	25 APR 12	MKS	MKS	



- 1 CONNECTOR BODY, COUPLING SLEEVE & BACKSHELL MATERIAL: 6061-T6 ALUMINUM, ELECTROLESS NICKEL PLATED PER SAE-AMS-C-26074 OR SAE-AMS-2404
 LOCKING RING MATERIAL: BERYLLIUM COPPER, ELECTROLESS NICKEL PLATED PER SAE-AMS-C-26074 OR SAE-AMS-2404
 INSULATOR MATERIAL: LIQUID CRYSTAL POLYMER (LCP) PER ASTM D5138 OR POLYPHENYLENE SULFIDE (PPS) PER ASTM D4067
 O-RING MATERIAL: FLUOROSILICONE
- 2 WIRE IS 30AWG 7 STRAND COLOR CODED PTFE, WIRED 1 TO 1
- 3 BONDING RESISTANCE BETWEEN CONNECTOR BODY AND BACKSHELL TO BE 25 MILLIOHMS MAXIMUM. BACKSHELL TO BE BONDED TO PLUG SHELL WITH CONDUCTIVE EPOXY.
- 4 LUBRICATE O-RING WITH PARKER SUPER-O-LUBE PRIOR TO INSTALLATION
- 5 THE SAME CONNECTOR IS TERMINATED AT BOTH ENDS OF THIS JUMPER ASSEMBLY
- 6 NANONICS PART NUMBER JCM007PP2DC201QQB

THIS DRAWING IS A CONTROLLED DOCUMENT.		DWN	M STORRY	25 APR 12	TE Connectivity	
DIMENSIONS: INCHES		CHK	-	-	NAME	
TOLERANCES UNLESS OTHERWISE SPECIFIED:		APVD	M STORRY	25 APR 12	JUMPER ASSEMBLY, PLUG TO PLUG, CIRCULAR, QUICK DISCONNECT, STRAIGHT BACKSHELL, METAL, 7 POSITION	
0 PLC ± -		PRODUCT SPEC	SIZE			
1 PLC ± -		APPLICATION SPEC	CAGE CODE			
2 PLC ± .010		WEIGHT	DRAWING NO			
3 PLC ± .005		WEIGHT	RESTRICTED TO			
4 PLC ± -		WEIGHT	A2 0PJN9 C=6-1925198-7			
ANGLES ± 1°		FINISH	SCALE			
MATERIAL SEE NOTES		FINISH	SHEET			
SEE NOTES		FINISH	1 of 1			
SEE NOTES		FINISH	REV			
SEE NOTES		FINISH	A			