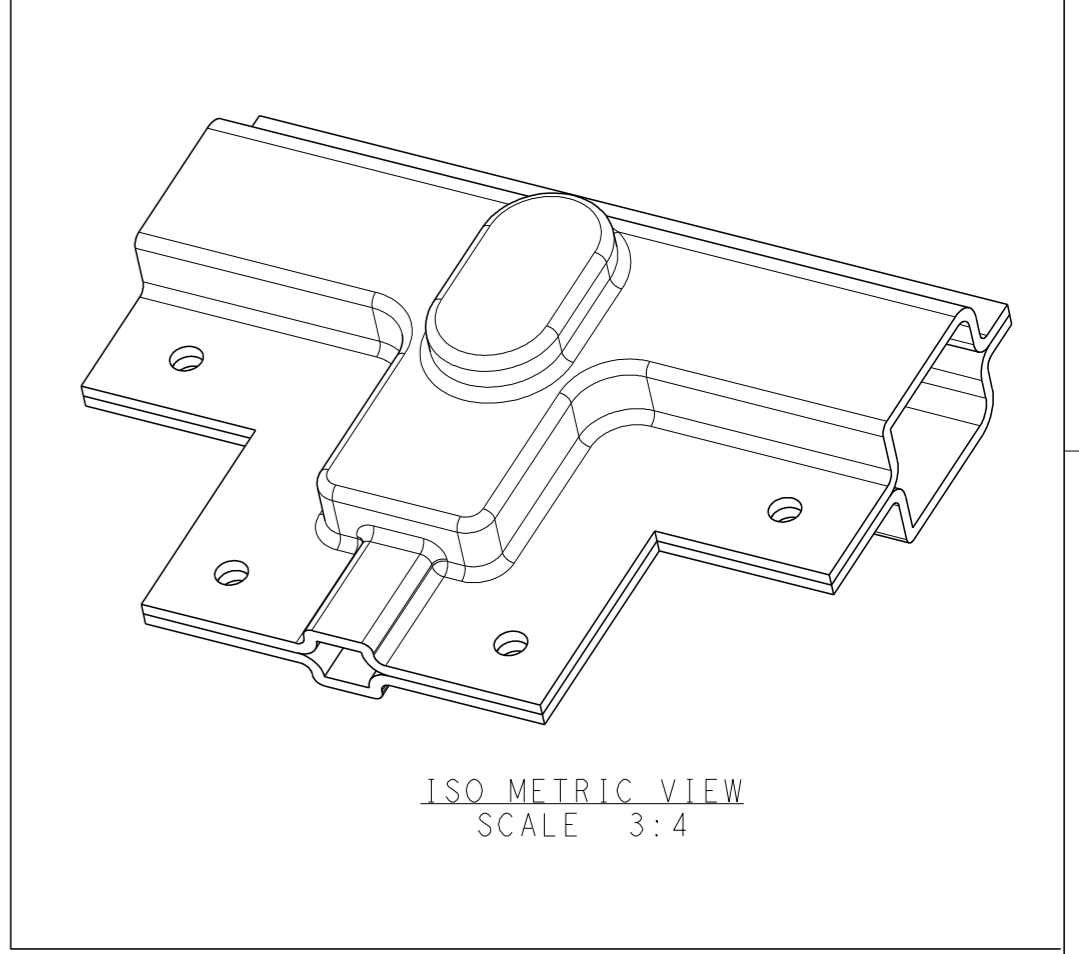
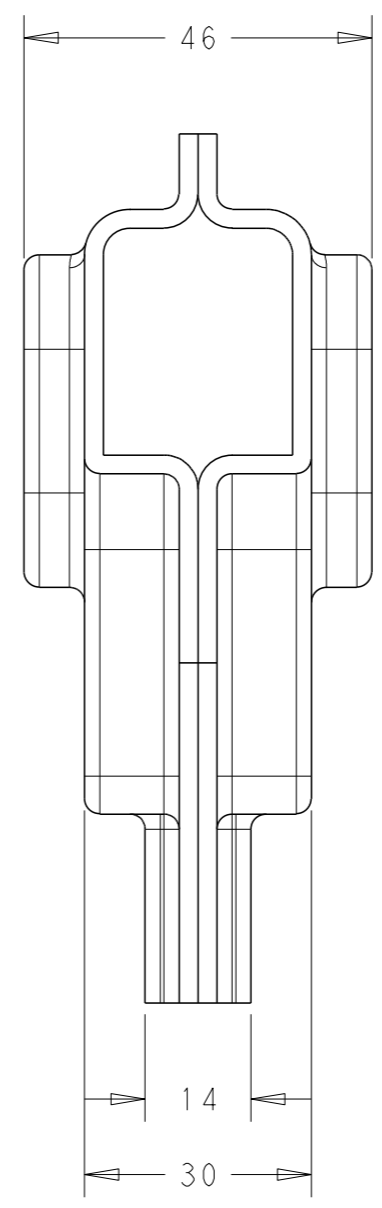
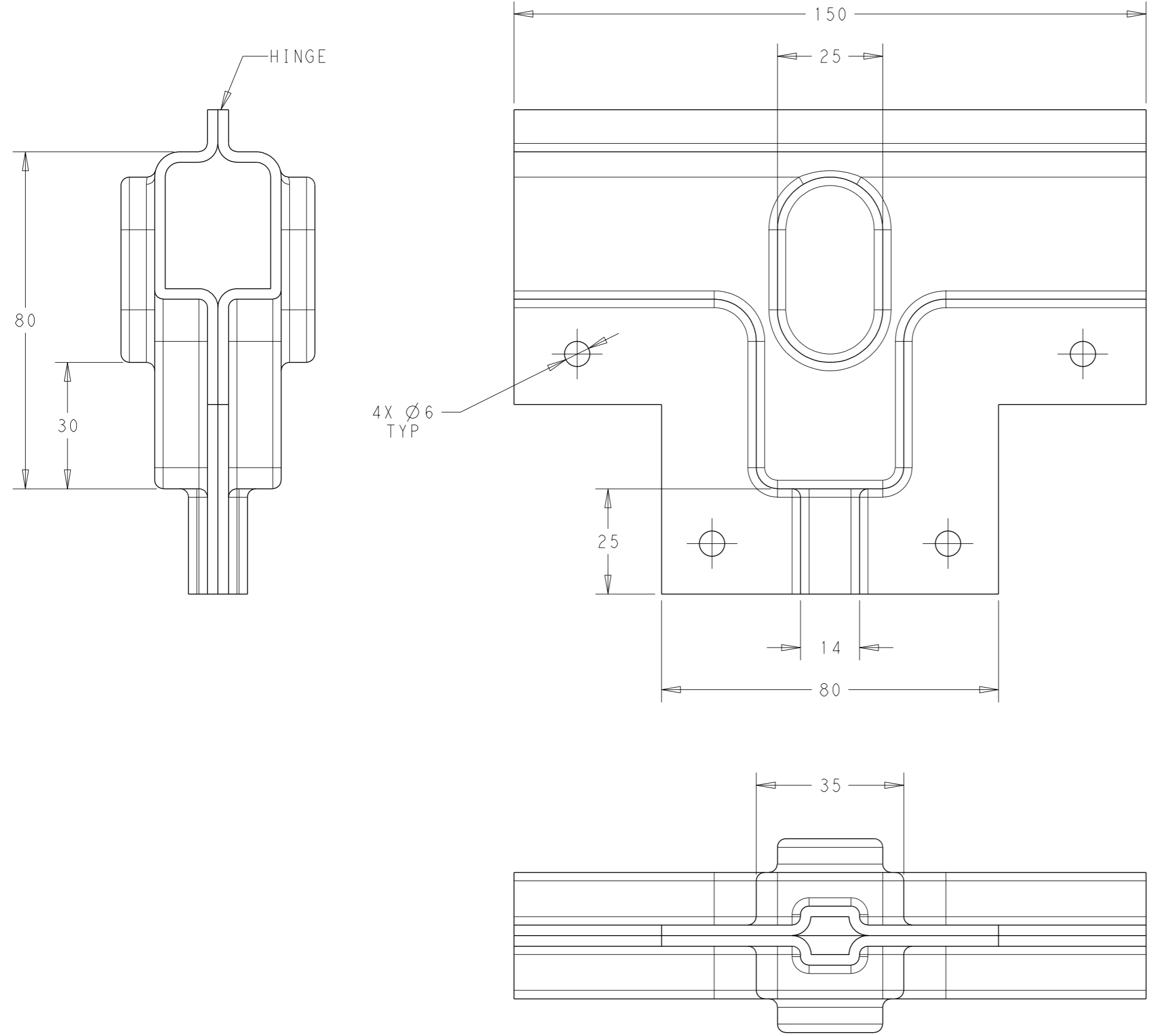


THIS DRAWING IS UNPUBLISHED. RELEASED FOR PUBLICATION 2015  
 © COPYRIGHT 2015 BY - TE CONNECTIVITY ALL RIGHTS RESERVED.

REVISIONS				
P	LTR	DESCRIPTION	DATE	APVD
A		NEW DRAWING	10SEP2015	KR D.B



**NOTES: (UNLESS OTHERWISE SPECIFIED).**

- MATERIAL: RAYCHEM RED BCIS SHEET.
- WALL THICKNESS IS 2.5mm NOMINAL, 1.5mm MINIMUM. HINGE AND FLANGE RADIUS ARE EXCEPTIONS.
- HOLES SHALL ALIGN WHEN CLOSED, SLIGHT MANIPULATION PERMITTED. ALL HOLE EDGES MUST BE MINIMUM OF 6.35mm FROM ANY EDGE.
- PART SHALL BE CLEAN OF DUST AND DEBRIS.
- EACH BOX SHALL BE LABELLED WITH DESCRIPTION, LOT NUMBER, PART NUMBER, MANUFACTURING DATE, AND QUANTITY.

LABEL TO BE PRINTED WITH: PART DESCRIPTION: PART NUMBER: BATCH NUMBER: MANUFACTURING DATE: QUANTITY:	PC	1	3
FIR TREE LATCH	PC	40	2
DROPPER COVER	PC	10	1
NOTES	UOM	QTY.	ITEM No.

THIS DRAWING IS A CONTROLLED DOCUMENT.		DWN RAGHU 10SEP2015	TE Connectivity		
DIMENSIONS: mm		CHK DONALD BARRETT 10SEP2015			
TOLERANCES UNLESS OTHERWISE SPECIFIED:		APVD DONALD BARRETT 10SEP2015			
0 PLC ± .5 1 PLC ±0.5 2 PLC ±0.13 3 PLC ±0.013 4 PLC ±0.0001 ANGLES ± FINISH		PRODUCT SPEC -	NAME BCIC-3111-AL(B10)		
MATERIAL 1		APPLICATION SPEC -	SIZE A2	CAGE CODE -	DRAWING NO C-6-1899836-5
-		WEIGHT -	RESTRICTED TO -		
-		Customer Drawing	SCALE 1:1	SHEET 1 OF 1	REV A