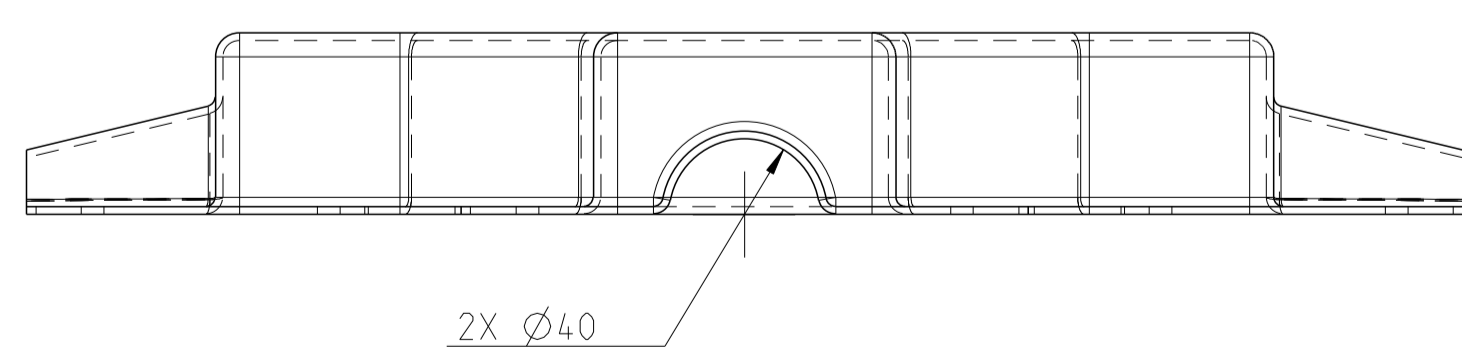
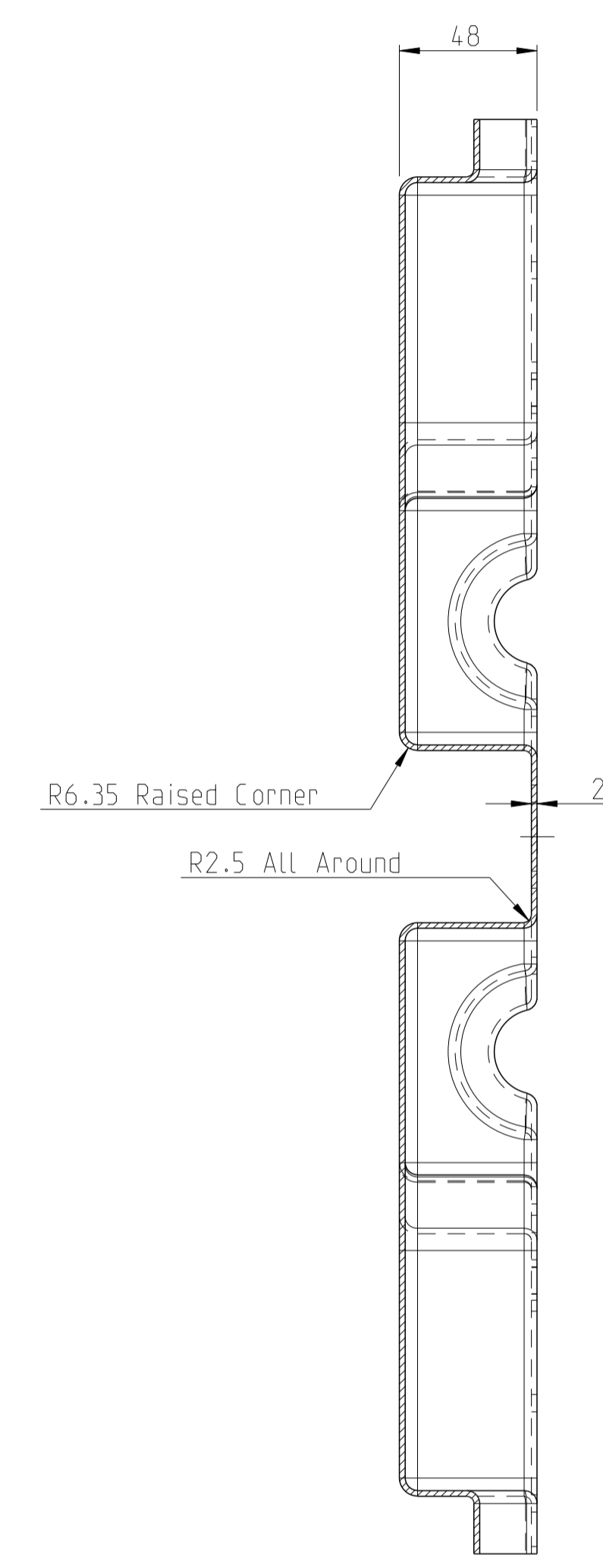
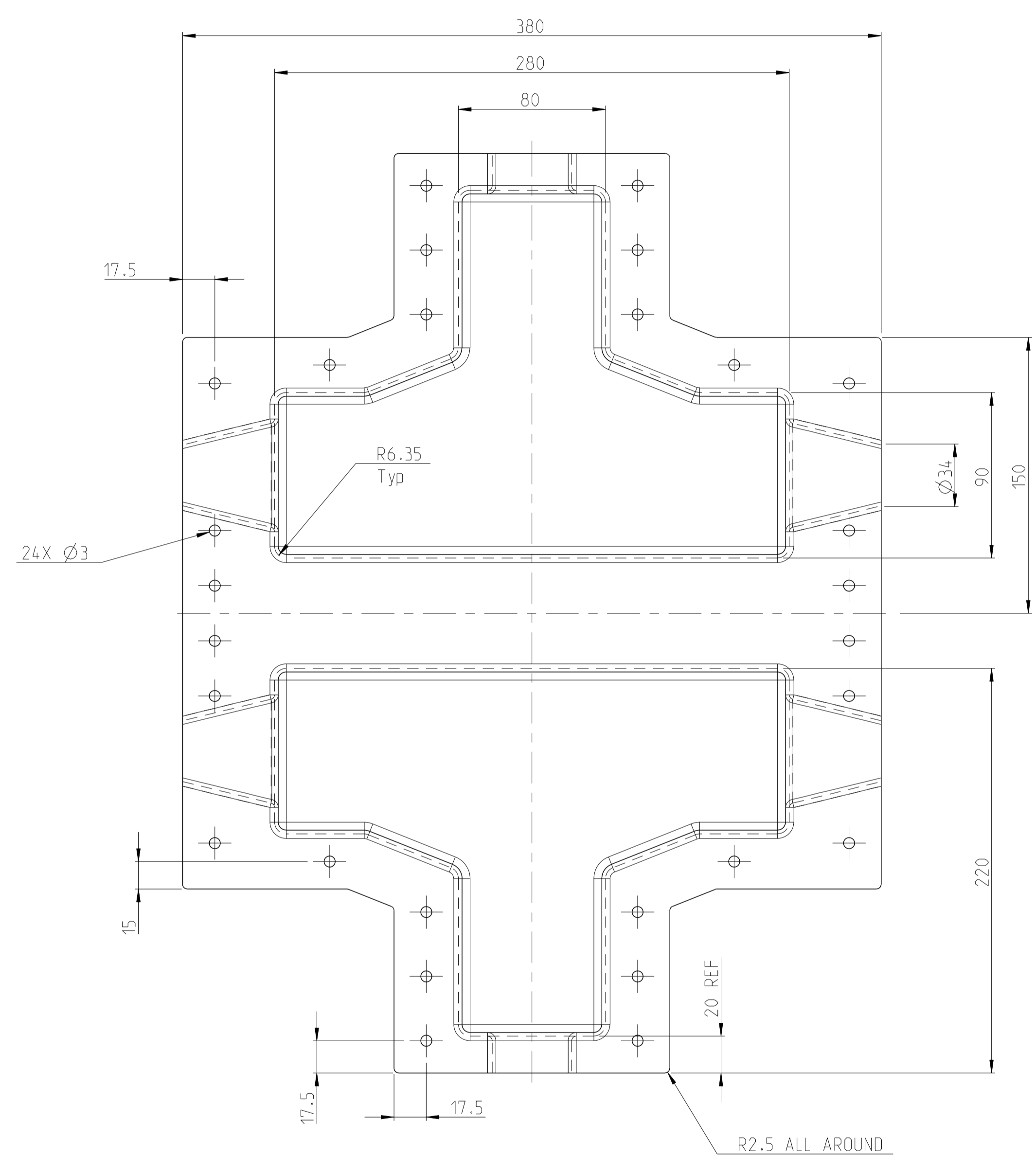
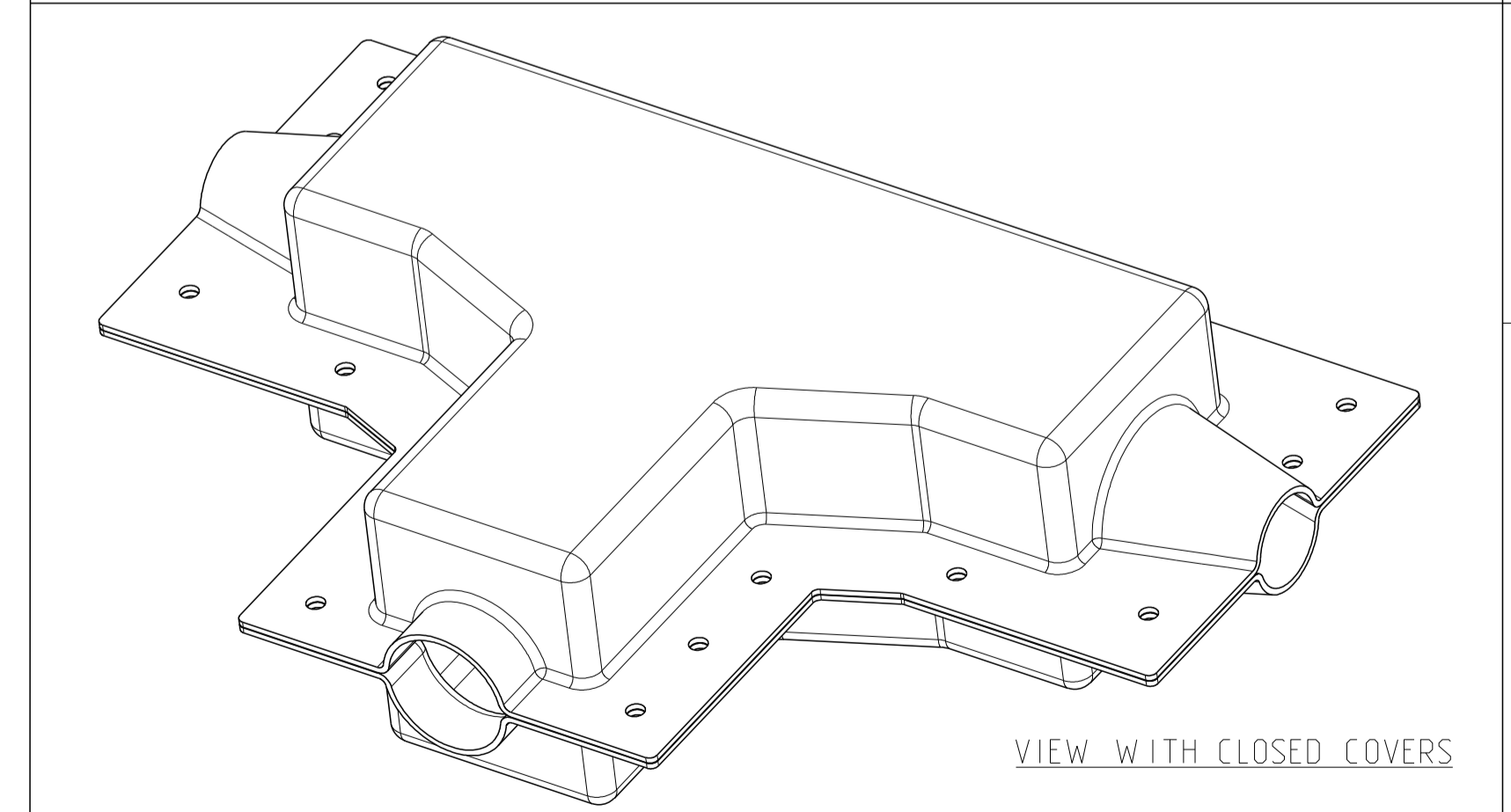
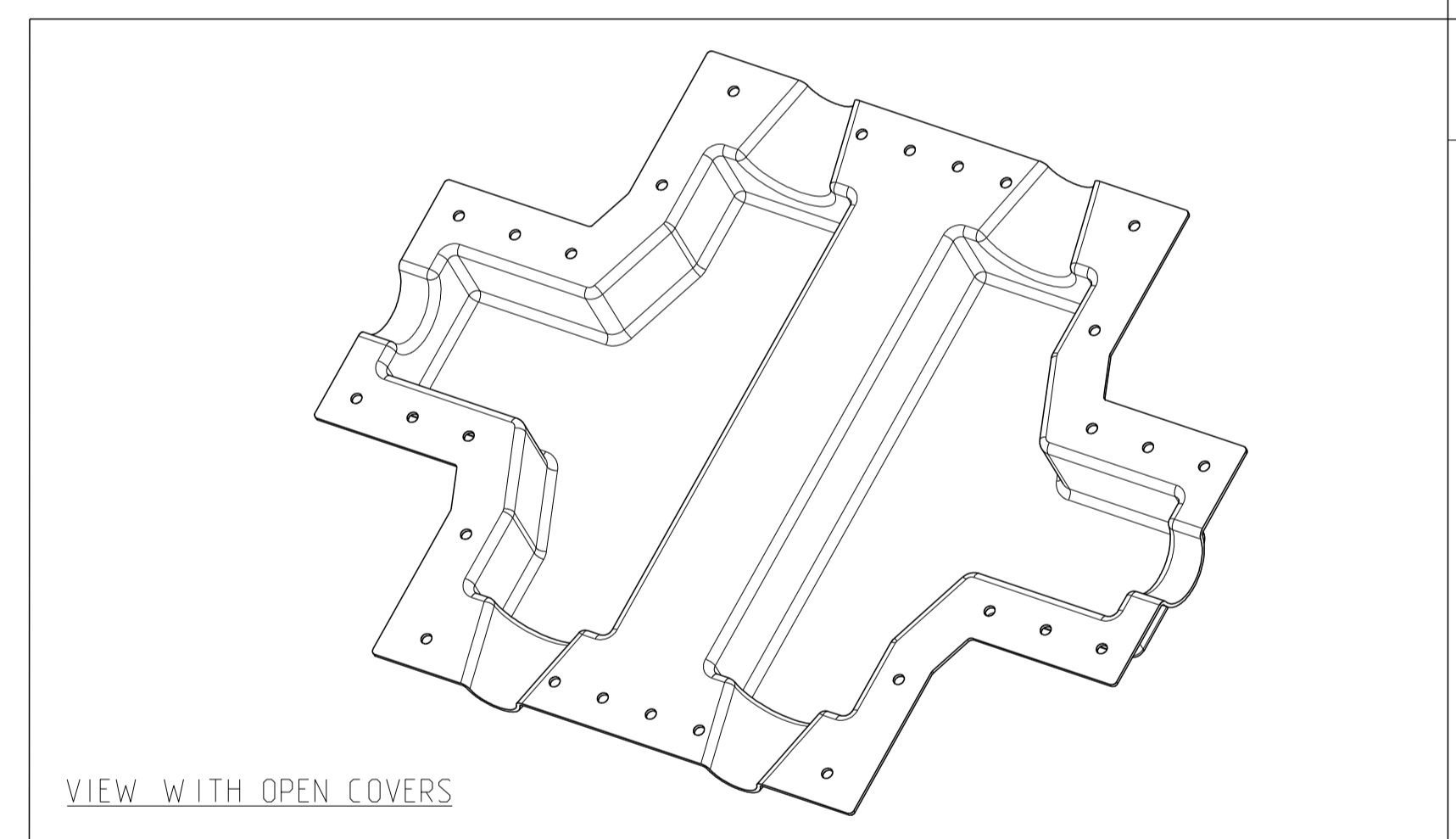


REVISIONS					
P	LTN	DESCRIPTION	DATE	DMN	APVD
A		New Drawing	18DEC2013	KR	IB



NOTES:

1. MATERIAL: RAYCHEM RED BCIS
2. WALL THICKNESS 2.0mm Minimum
3. TOLERANCE +/-3mm UNLESS OTHERWISE STATED
4. NO HINGE SPLITTING PERMISSABLE
5. HOLES SHALL ALIGN WHEN CLOSED
6. EACH PART SHAL BE EMBOSSSED OR STAMPED WITH THE TE CONNECTIVITY \ RAYCHEM PART DESCRIPTION AT LEAST 3mm HIGH: BCIC-4.75/11-3-02
7. EACH BOX TO INCLUDE 12 PCS OF BCIC COVER.
8. EACH BOX TO INCLUDE 168PCS BCIC LATCHES
9. EACH BOX TO BE LABELLED WITH PART DESCRIPTION, BATCH NUMBER AND MANUFACTURE DATE: BCIC-4.75/11-3-02(B12).



THIS DRAWING IS A CONTROLLED DOCUMENT. Scale 1:2		DMN: RAGHU 18DEC2013	
DIMENSIONS: mm		CHK: J.BOND 18DEC2013	
TOLERANCES UNLESS OTHERWISE SPECIFIED:		APVD: J.BOND 18DEC2013	NAME: BCIC-4.75/11-3-02(B12)
0 PLC ±0.5		PRODUCT SPEC	SIZE: A1
2 PLC ±0.75		APPLICATION SPEC	CAGE CODE: -
3 PLC ±0.13		WEIGHT: -	DRAWING NO: C=6-1899792-6
4 PLC ±0.001		Customer Drawing	SCALE: 1:2
ANGLES ±0.001	FINISH: -	RESTRICTED TO: -	SHEET 1 OF 1
MATERIAL: -	REVISIONS: -	REV: A	