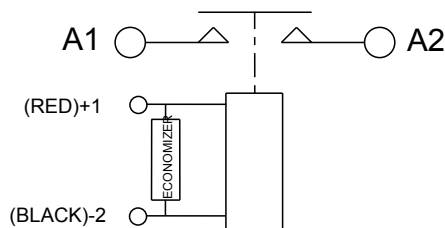
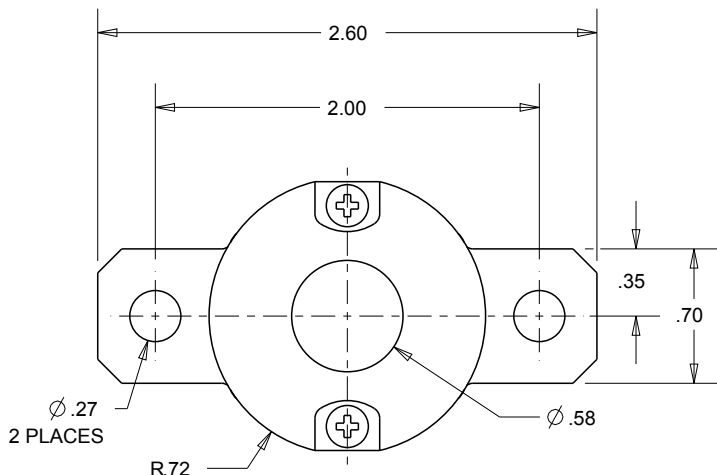


REVISIONS		RELEASED		
REV.	DESCRIPTION	DATE	APPROVED	
A	RELEASE TO PRODUCTION	11-03-04	CB	
B	11-012711 UPDATED VIEW OF WIRING HARNESS	11-06-06	CB	



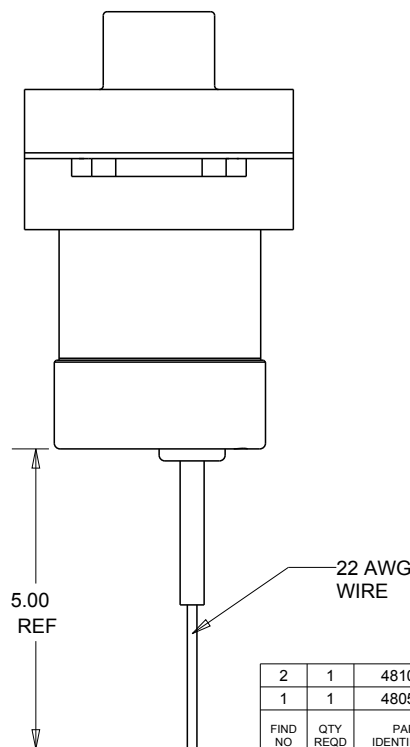
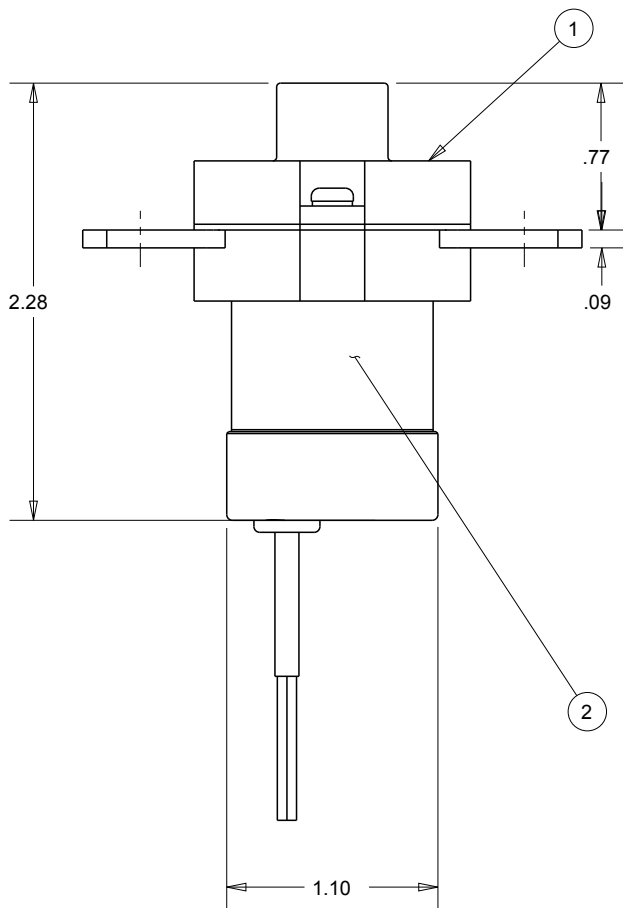
CONSTRUCTION GASKET SEALED  
 MOUNTING STYLE BUS BAR MOUNT

MAIN CONTACTS CONFIGURATION SPST N.O. DOUBLE MAKE  
 VOLTAGE 28 VDC  
 CURRENT RESISTIVE 200 AMPS  
 MOTORLOAD 1200 AMPS  
 RUPTURE 2000 AMPS

COIL DATA DUTY CYCLE CONTINUOUS (ECONOMIZED)  
 NOM. OPERATE VOLTAGE 28 VDC  
 PICKUP VOLTAGE 18 VDC MAX  
 DROP VOLTAGE 1-9 VDC  
 PICKUP TIME 15 mS  
 DROPOUT TIME 15 mS  
 COIL CURRENT INRUSH 5 AMPS MAX AT 28 VDC & 25° C  
 HOLDING 300 mA MAX AT 28 VDC & 25° C  
 SUPPRESSION ±45 VDC

ENVIRONMENTAL DATA TEMPERATURE -55° C TO +85° C  
 ALTITUDE 50,000 FEET

LIFE ELECTRICAL 50,000 CYCLES MIN.  
 LIFE MECHANICAL 100,000 CYCLES MIN.  
 WEIGHT .29 LBS MAX



2	1	48102-005	NAME PLATE			8-1616976-9	
1	1	48057-030	PRIMARY ASSEMBLY			2-1616971-6	
FIND NO	QTY REQD	PART OR IDENTIFYING NO	NOMENCLATURE OR DESCRIPTION	DRAWING OR SPECIFICATION	FSCM NO	TE PART NO	MATERIAL OR NOTE

UNLESS OTHERWISE SPECIFIED DIMENSIONS ARE IN INCHES TOLERANCES ON

2 PL DEC.	3 PL DEC.	ANGLES
±.06	±.010	± 1°

DR BY	KL	08-02-04
CHK BY	CB	11-03-10
ENGR	RSS	11-03-10
MFG	BH	11-03-10
SIZE	CODE IDENT	
A	74063	

**TE**  
 Hartman™ Division 175 N. DIAMOND STREET MANSFIELD, OHIO 44902

**CONTACTOR-SPST NO DB  
 200 AMPS, 28 VDC**

DWG NO. **K200B1C**

SCALE NONE SHEET 1 OF 1 REF TE PN 6-1616970-0