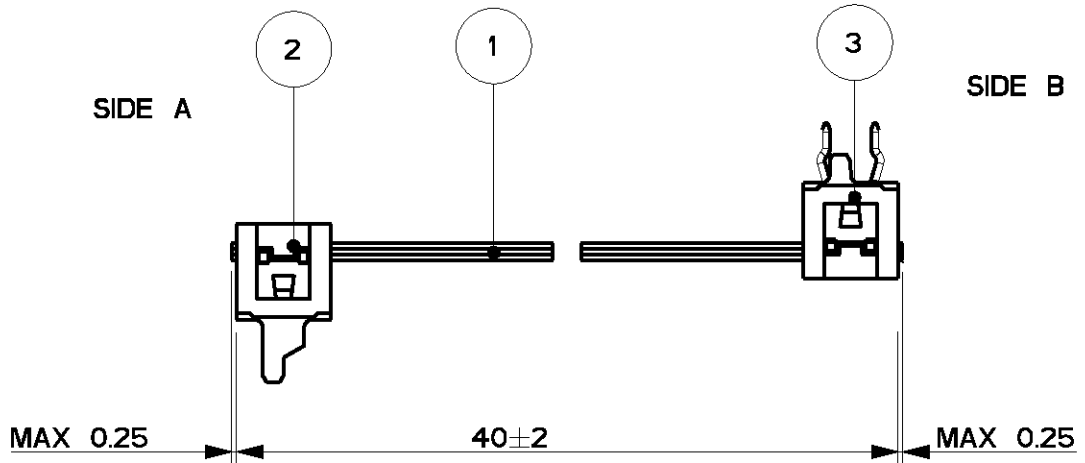
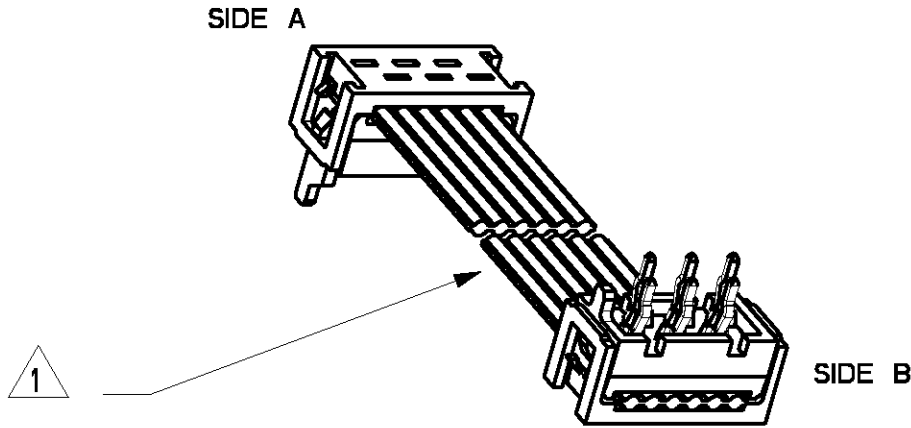


LOC	DIST	REVISIONS				
P	LTR	DESCRIPTION	DATE	DWN	APVD	
H	-					
	A	NEW DRAWING ACC. ECN EH00-0557-01	01/05/01	-	HS	
	A1	ECR-11-021352	21OCT11	RK	JK	

1 WIRE RED MARKED

2 ASSEMBLIES ARE PACKAGED ACCORDING PACKAGING SPEC 107-19574



ITEM	DESCRIPTION	QTY
3	MICRO-MATCH PADDLE BOARD CONNECTOR	1
2	MICRO-MATCH MALE ON WIRE CONNECTOR	1
1	BULK WIRE FLAT RIBBON CABLE	1

2011 RELEASED FOR PUBLICATION ALL RIGHTS RESERVED. THIS DRAWING IS UNPUBLISHED. COPYRIGHT 2011

DIMENSIONS:		DWN	01/05/01	MATERIAL	-	FINISH	-
mm		CHK	H. Spelde				
TOLERANCES UNLESS OTHERWISE SPECIFIED:		APVD	H. Spelde				
0 PLC ±		PRODUCT SPEC	E. Leijtens				
1 PLC ±		APPLICATION SPEC	-				
2 PLC ±		WEIGHT	-	NAME			
3 PLC ±				Micro-MaTch Lead Ass'y			
4 PLC ±				6 POSITIONS			
ANGLES ±-°"				SIZE	CAGE CODE	DRAWING NO	RESTRICTED TO
				A 4	00779	C-6-161340-6	-
CUSTOMER DRAWING				SCALE	5:2	SHEET	1 OF 1
				REV	A1		