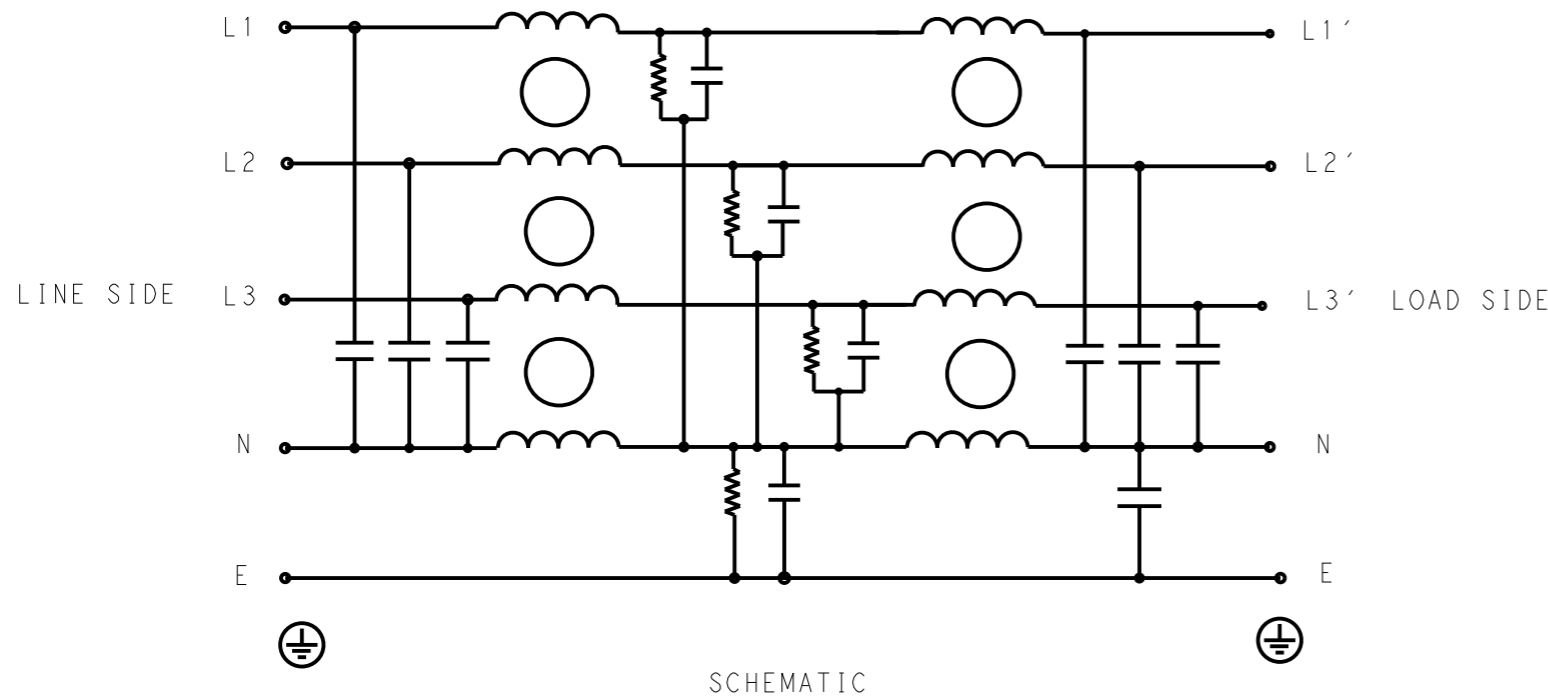


P	LTR	DESCRIPTION	DATE	DWN	APVD
	A	INITIAL RELEASE	21APR2021	SR	CB



SCHMATIC

**SAFETY ORGANIZATIONS**  
 THIS FILTER WILL BE FORMALLY RECOGNIZED, CERTIFIED OR APPROVED BY THE LISTED AGENCY. THEREFORE, ALL TEST/REQUIREMENTS SPECIFIED IN THE LATEST REVISION OF THE FOLLOWING AGENCY STANDARDS WILL BE MET:

UL APPROVED 100A 520V 50Hz/60Hz 50°C  
 CSA APPROVED 100A 520V 50Hz/60Hz 50°C

**OPERATING SPECIFICATION**  
 LINE CURRENT/VOLTAGE: 100A, 520VAC  
 LINE FREQUENCY: 50/60Hz

MAXIMUM LEAKAGE CURRENT: 11mA @ 230VAC, 50Hz  
 OPERATING AMBIENT TEMPERATURE RANGE @ RATED CURRENT: -10°C TO +50°C

IN AN AMBIENT, T<sub>a</sub>, HIGHER THAN 50°C, THE MAXIMUM OPERATING CURRENT, I<sub>o</sub>, IS AS FOLLOWS:

$$I_o = I_r \sqrt{\frac{105 - T_a}{55}}$$

**RELIABILITY SPECIFICATIONS**  
 STORAGE TEMPERATURE: -40°C TO +85°C  
 HUMIDITY: 21 DAYS @ 40°C AND 95% RH

**TEST SPECIFICATIONS**  
 INDUCTANCE, NOMINAL: 0.2mH

CAPACITANCE @ 1kHz  
 NEUTRAL TO GROUND, NOMINAL: 2.2µF  
 LINE TO NEUTRAL, NOMINAL: 6.6µF

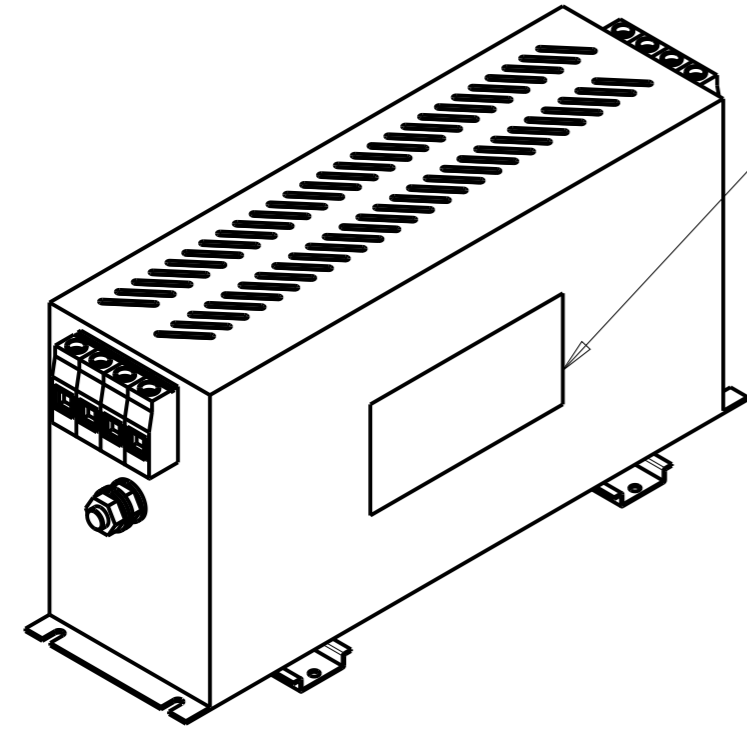
DISCHARGE RESISTOR  
 L/L I.R. 2MΩ 2W  
 L/N I.R. 1.5MΩ 2W  
 L/G I.R. 2MΩ 2W  
 N/G I.R. 680KΩ 2W  
 IR (NO DISCHARGE RESISTOR) 20°C, 50% RH AND 100VDC, MIN: 6MΩ

**RECOMMENDED RECEIVING INSPECITON HIPOI**  
 LINE TO GROUND FOR 1 MINUTE: 2856VDC  
 LINE TO LINE FOR 1 MINUTE: 2236VDC  
 LINE TO NEUTRAL FOR 1 MINUTE: 1290VDC

**FILTER APPROVAL**  
 THE BEST WAY TO SELECT AND QUALIFY A FILTER IS FOR YOUR ENGINEERING TO TEST THE UNIT IN YOUR EQUIPMENT.

TYPICAL INSERTION LOSS  
 COMMON MODE 50/50Ω; DIFFERENTIAL MODE 50/50Ω

MHz	0.01	0.05	0.15	0.5	1	3	5	10	30
CM	40	37	42	32	36	48	50	46	20
DM	45	40	50	25	32	50	47	32	22



LABEL TO TE MARKING SPECIFICATION

THIS DRAWING IS A CONTROLLED DOCUMENT.		DWN SUPREETH R 21APR2021		
DIMENSIONS: mm		CHK CHRIS BOLLE 21APR2021		
TOLERANCES UNLESS OTHERWISE SPECIFIED:		APVD CHRIS BOLLE 21APR2021	NAME POWER LINE FILTER FOR DIN 35 RAIL INSTALLATION 100KEVD10BBSWHM	
0 PLC ±-		PRODUCT SPEC -	SIZE A300779 C-6-1609998-9	
1 PLC ±0.5		APPLICATION SPEC -	RESTRICTED TO -	
2 PLC ±0.40		WEIGHT -	SCALE 3:10 SHEET 1 OF 2 REV A	
3 PLC ±0.130		CUSTOMER DRAWING		
4 PLC ±0.0500				
ANGLES ±-				
MATERIAL -				
FINISH -				

© 2021 TE Connectivity. All Rights Reserved.

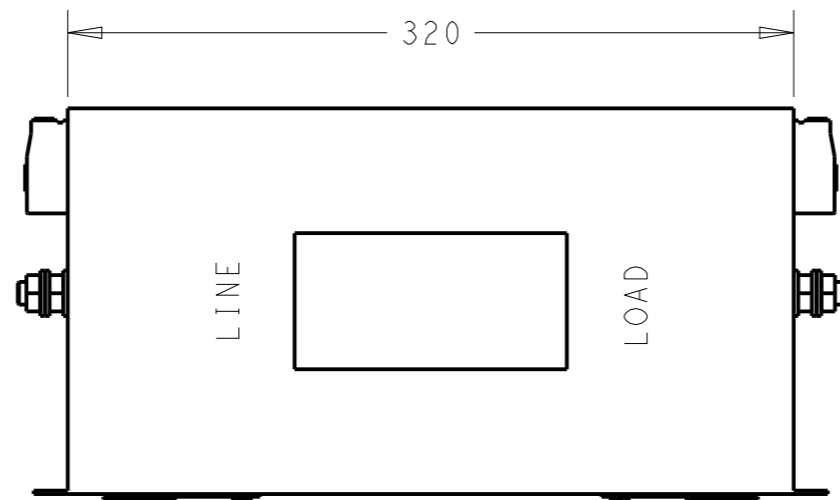
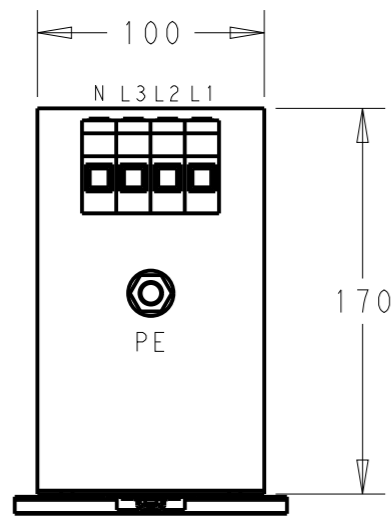
NOTE 1 GROUND CONNECTION:  
 FOR ELECTRICAL SAFETY AND FILTER PERFORMANCE  
 UNIT MUST HAVE A GOOD GROUND CONNECTION.  
 TORQUE OUTER TERMINAL SCREWS: 2 Nm / 18 in.lbs  
 TORQUE GROUND NUTS: 4-10Nm

NOTE 2 INPUT OUTPUT CONNECTION TERMINAL  
 AWG SIZE: 8-4 AWG  
 WIRE SECTION: 25mm<sup>2</sup>  
 THREADED BOLT SIZE FOR GROUND: M10

NOTE 3 SUPPLIED WITH DIN RAIL BRACKET.

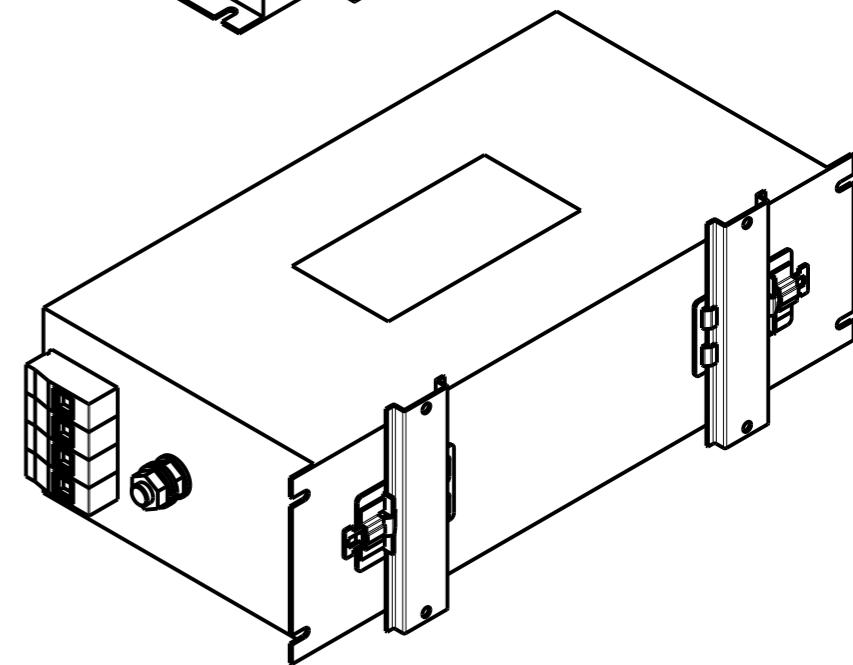
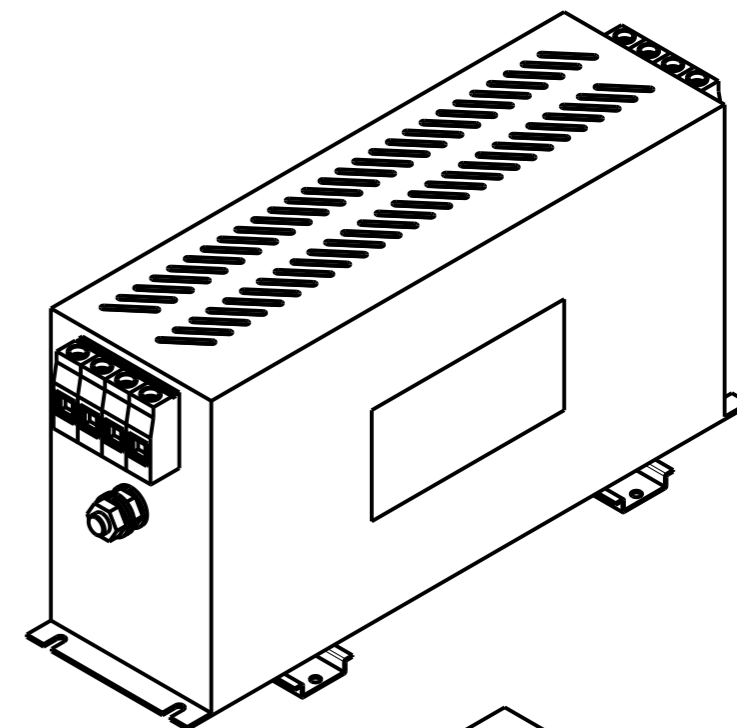
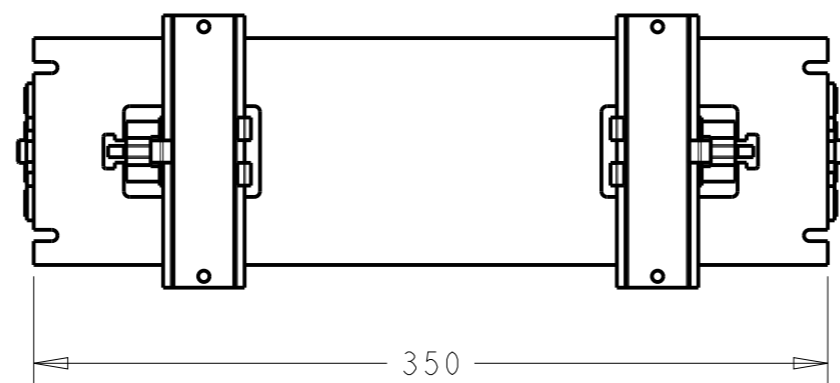
NOTE 4 DRAWING SHOWS DIN RAIL FOR REFERENCE ONLY.

REVISIONS					
P	LTR	DESCRIPTION	DATE	DWN	APVD
		SEE SHEET 1			



DIN RAIL CHANNEL

DIN 35 BRACKET



THIS DRAWING IS A CONTROLLED DOCUMENT.

DIMENSIONS: mm		TOLERANCES UNLESS OTHERWISE SPECIFIED:	
		0 PLC	±0.5
		1 PLC	±0.40
		2 PLC	±0.130
		3 PLC	±0.0500
		4 PLC	±0.0500
ANGLES	±0.5		
MATERIAL	-	FINISH	-

DWN	SUPREETH R	21APR2021
CHK	CHRIS BOLLE	21APR2021
APVD	CHRIS BOLLE	21APR2021
PRODUCT SPEC	-	
APPLICATION SPEC	-	
WEIGHT	-	
CUSTOMER DRAWING		

		NAME		RESTRICTED TO
		POWER LINE FILTER FOR DIN 35 RAIL INSTALLATION 100KEVD10BBSWHM		
SIZE	CAGE CODE	DRAWING NO	-	
A3	00779	C-6-1609998-9	-	
SCALE		SHEET	OF	REV
3:10		2	2	A