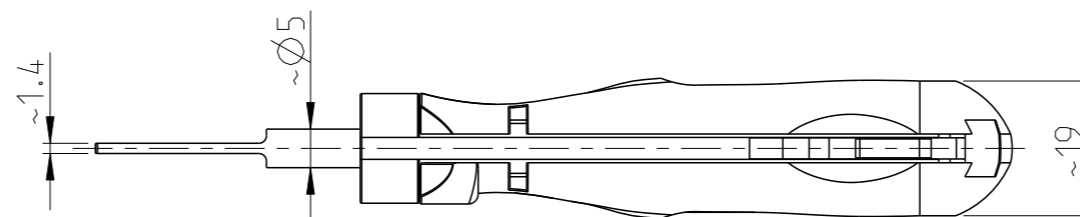
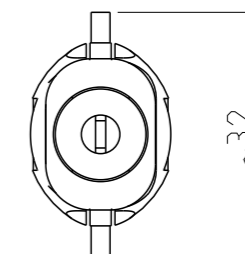
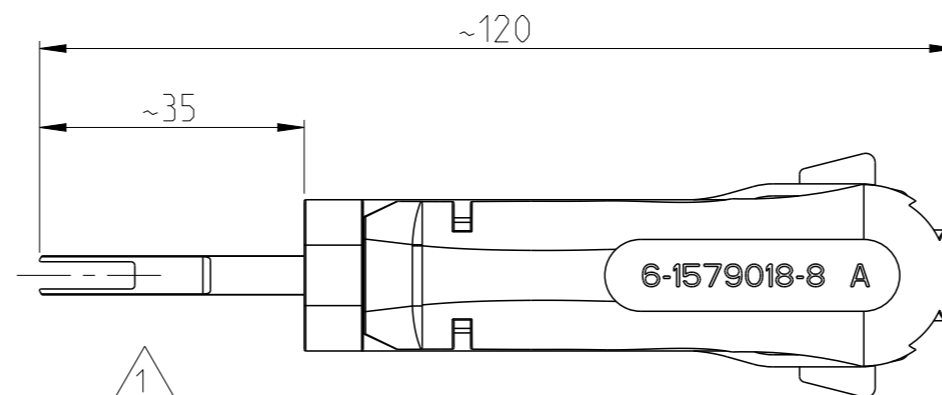
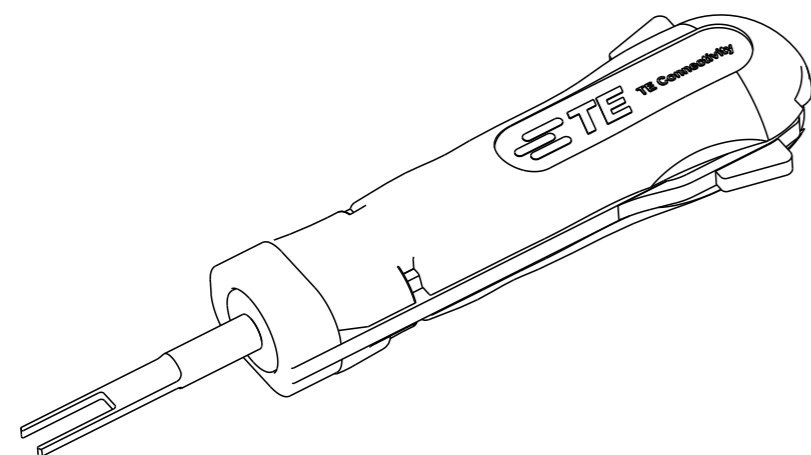


P	LTR	DESCRIPTION	DATE	DWN	APVD
	A1	ECR-18-001971	08FEB2018	MG	BM
	A2	ECR-20-008954	11JUL2020	PNT	GS



△ 1 Can be two-piece designed  
Kann 2-teilig ausgeführt sein

APPLICATION RANGE / Anwendungsbereich:

FORF USE-BOX: 1801493-1

THIS DRAWING IS A CONTROLLED DOCUMENT.		DWN	04NOV2009		<b>STE</b> TE Connectivity
		CHK	S. Samstag 15JAN2010		
		APVD	G. Stegmayer 15JAN2010		NAME EXTRACTION TOOL Entriegelungswerkzeug
		PRODUCT SPEC	G. Stegmayer		
DIMENSIONS: mm		TOLERANCES UNLESS OTHERWISE SPECIFIED:		APPLICATION SPEC	
		0 PLC	±	WEIGHT	
		1 PLC	±	0.028kg	
		2 PLC	±	SIZE	A3
		3 PLC	±	CAGE CODE	00779
		4 PLC	±	DRAWING NO	6-1579018-8
		ANGLES	±	RESTRICTED TO	-
MATERIAL		FINISH		CUSTOMER DRAWING	
				SCALE	1:1
				SHEET	1 OF 1
				REV	A2