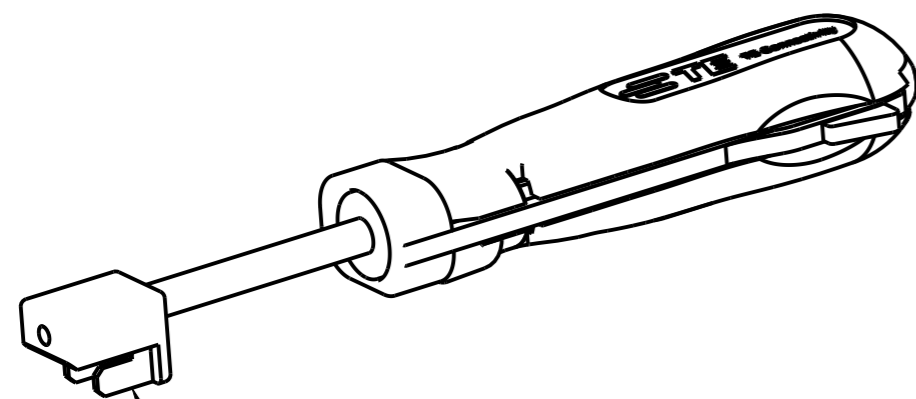
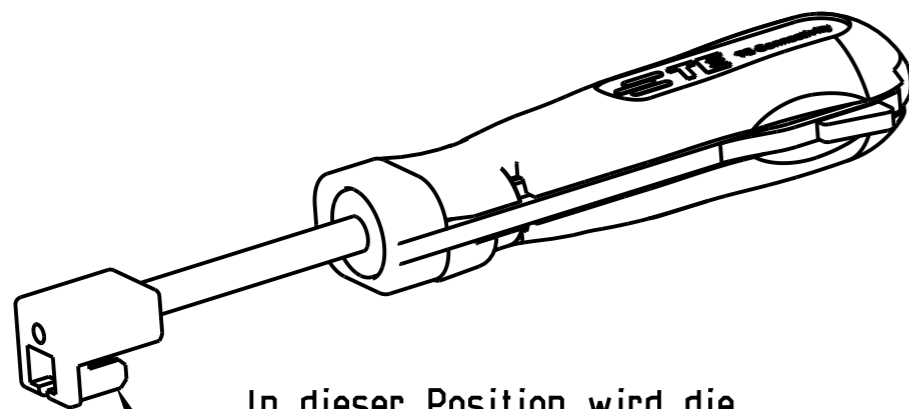


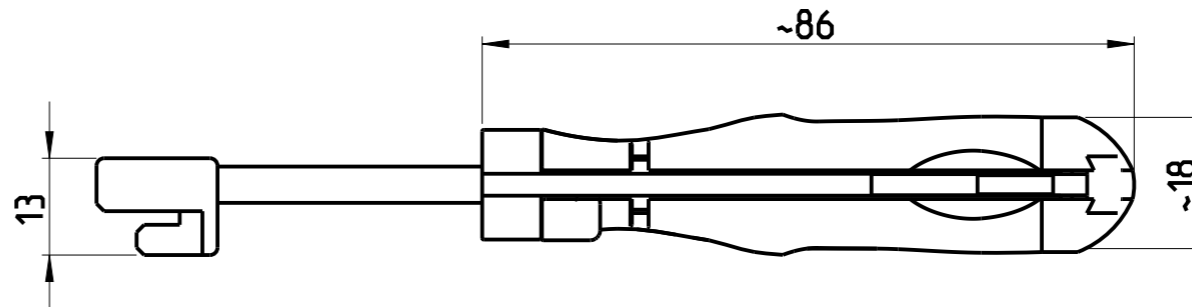
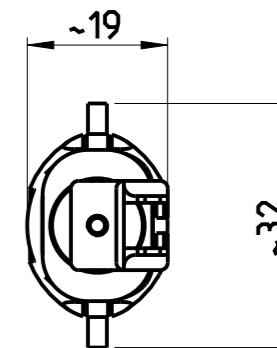
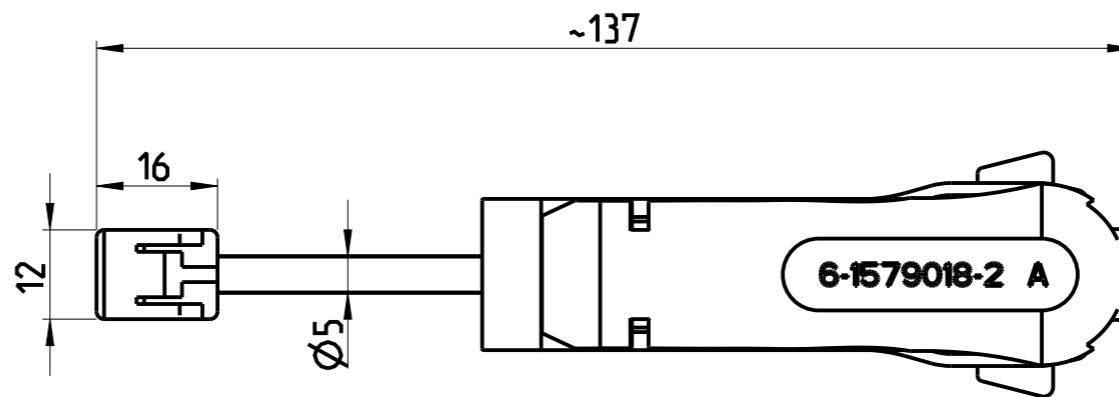
P	LTR	DESCRIPTION	DATE	DWN	APVD
A		INITIAL REVISION	28JUL2009	LS	GS
A1		ECR-20-017979	02FEB2021	PNT	GS



In dieser Position wird die hintere Seite entriegelt /
IN THESE POSITION WILL BE EXTRACTION THE REAR SIDE



In dieser Position wird die vordere Seite entriegelt /
IN THESE POSITION WILL BE EXTRACTION THE FRONT SIDE



APPLICATION RANGE / Anwendungsbereich:

HOUSING HP 2POS.: 1801174 and 1801175
3POS.: 1801177 and 1801178

THIS DRAWING IS A CONTROLLED DOCUMENT.		DWN L. Sandhu 28JUL2009														
		CHK S. Stegmayer 02DEC2009														
		APVD S. Stegmayer 02DEC2009	NAME EXTRACTION TOOL Entriegelungswerkzeug													
DIMENSIONS: mm		PRODUCT SPEC -	RESTRICTED TO -													
TOLERANCES UNLESS OTHERWISE SPECIFIED:		APPLICATION SPEC -	SIZE A3	CAGE CODE 00779												
<table border="1"> <tr><td>0 PLC</td><td>±</td></tr> <tr><td>1 PLC</td><td>±</td></tr> <tr><td>2 PLC</td><td>±</td></tr> <tr><td>3 PLC</td><td>±</td></tr> <tr><td>4 PLC</td><td>±</td></tr> <tr><td>ANGLES</td><td>±</td></tr> </table>		0 PLC	±	1 PLC	±	2 PLC	±	3 PLC	±	4 PLC	±	ANGLES	±	WEIGHT 0.029 kg	DRAWING NO C-6-1579018-2	
0 PLC	±															
1 PLC	±															
2 PLC	±															
3 PLC	±															
4 PLC	±															
ANGLES	±															
MATERIAL		FINISH	SCALE 1:1 SHEET 1 OF 1 REV A1													
		CUSTOMER DRAWING														