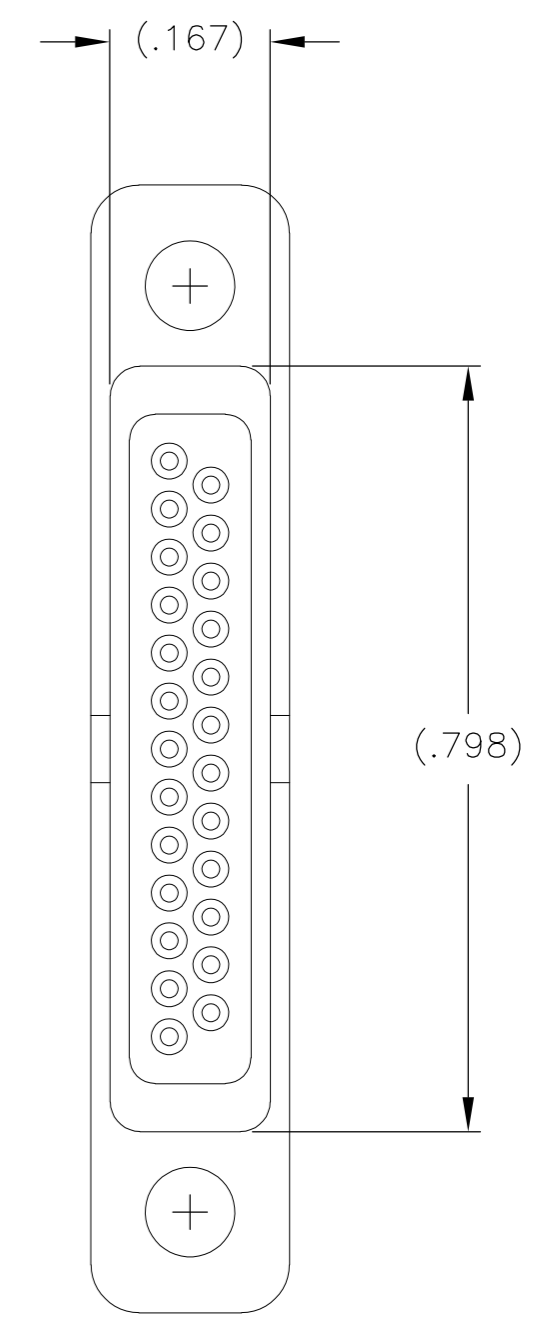
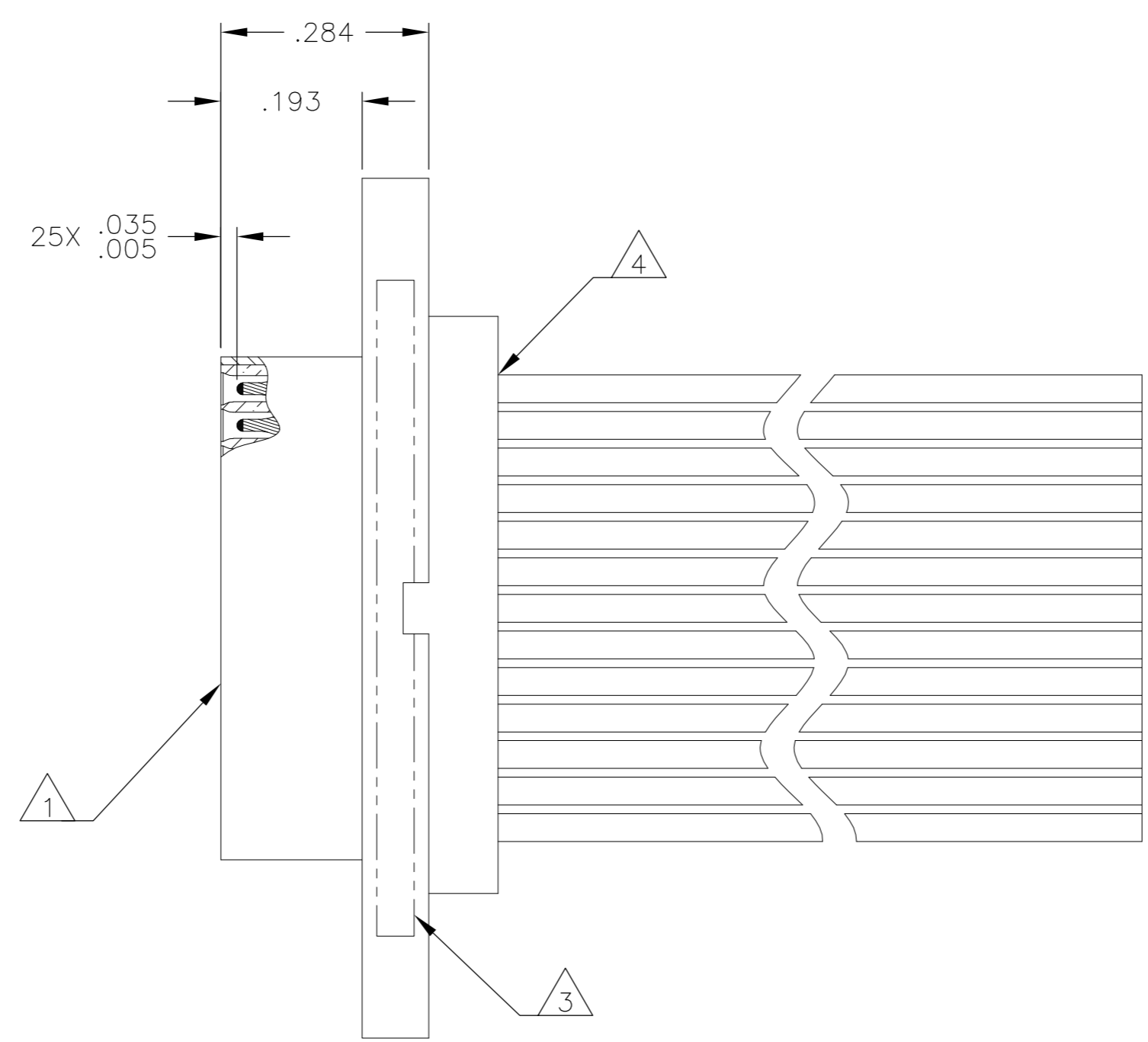
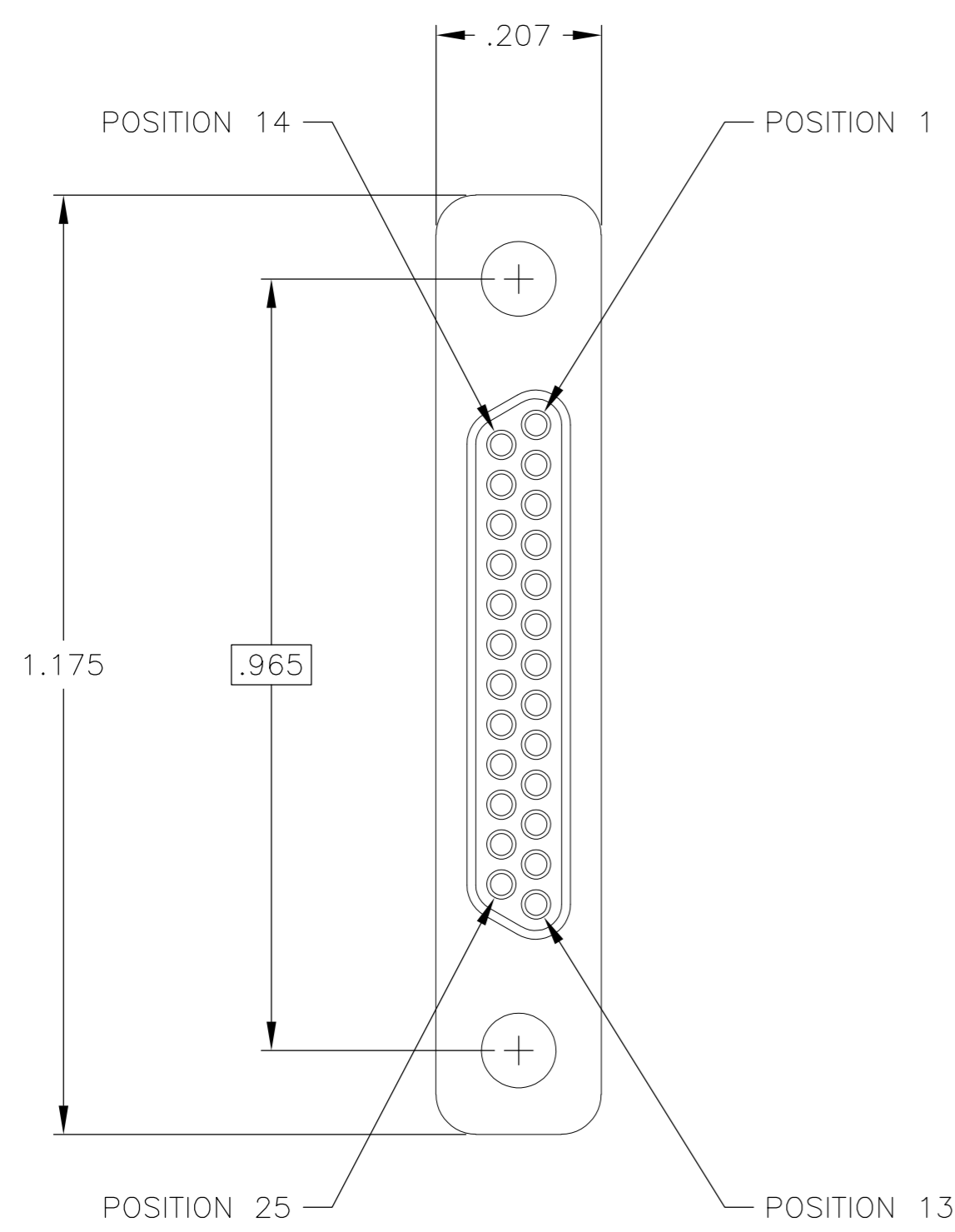
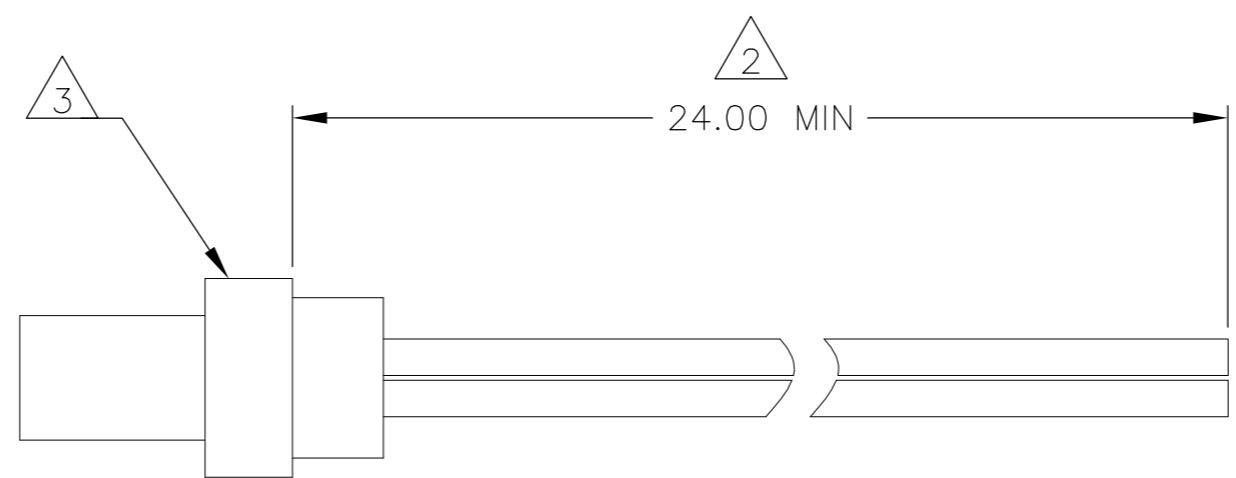


THIS DRAWING IS UNPUBLISHED. RELEASED FOR PUBLICATION
 © COPYRIGHT - By - ALL RIGHTS RESERVED.

LOC		DIST		REVISIONS			
P	LTR	DESCRIPTION		DATE	DWN	APVD	
	A1	UPDATE PER ECO-13-017026		30 OCT 13	CAS	CAS	



- 1 SHELL MATERIAL: 6061-T6 ALUMINUM, PLATE PER ELECTROLESS NICKEL PER SAE-AMS-C-26074 OR SAE-AMS-2404
INSULATOR MATERIAL: DIALLY PHTHALATE
- 2 THIS CONFIGURATION TO USE (SAE-AS22759/11) 26AWG, 19/38 STRANDED, WHITE WIRE
- 3 MARK CONNECTOR PER MEP203-12, CODES B, C, D AND E
- 4 EPOXY WICKING FROM THE REAR OF THE INSULATOR ON INSULATED LEADS MUST NOT EXCEED .125 MAX

THIS DRAWING IS A CONTROLLED DOCUMENT.		DWN C SCHOLL 29 OCT 13		
DIMENSIONS: INCHES		CHK -		
TOLERANCES UNLESS OTHERWISE SPECIFIED:		APVD C SCHOLL 29 OCT 13	NAME FLYING LEAD ASSEMBLY, 25 POSITION PLUG, MCDM1-B-25P6G1-24.0 MDC P/N 095-0485-1026	
0 PLC ± - 1 PLC ± - 2 PLC ± .01 3 PLC ± .005 4 PLC ± - ANGLES ± 2°		PRODUCT SPEC -	SIZE A2	
MATERIAL SEE NOTES		APPLICATION SPEC -	CAGE CODE 98278	DRAWING NO 6-1532247-6
FINISH SEE NOTES		WEIGHT -	RESTRICTED TO -	SCALE 5:1
		CUSTOMER DRAWING	SHEET 1 of 1	REV A1