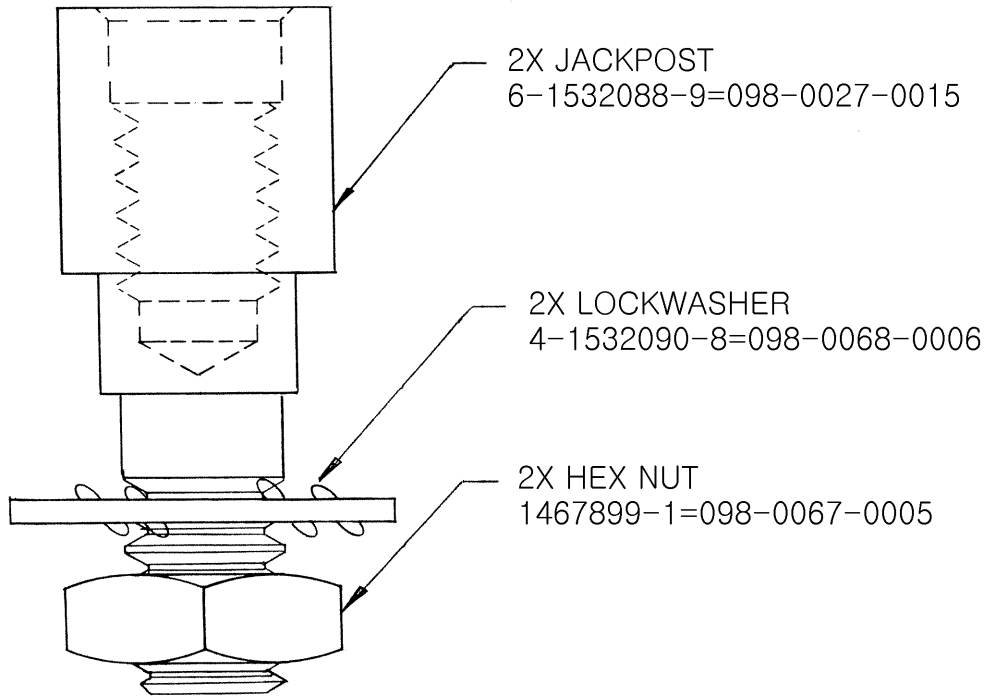


THIS DRAWING IS UNPUBLISHED.      RELEASED FOR PUBLICATION  
 © COPYRIGHT — By —      ALL RIGHTS RESERVED.

LOC	DIST	REVISIONS			
P	LTR	DESCRIPTION	DATE	DWN	APVD
	A	DRAWING RELEASE	07DEC2011	CEP	CEP



NOTES:

- PARTS TO BE PACKAGED LOOSE AND NOT ASSEMBLED.

THIS DRAWING IS A CONTROLLED DOCUMENT.		DWN CRAIG PREVOST 06DEC2011	<b>STE</b> TE Connectivity	
		CHR CRAIG PREVOST 07DEC2011		
DIMENSIONS: INCHES	TOLERANCES UNLESS OTHERWISE SPECIFIED:	APVD CRAIG PREVOST 07DEC2011	NAME M83513/05-17 HARDWARE KIT (4-40 UNC) JACKPOST ASSEMBLY S96-0002-0060 (S)	
	0 PLC ± - 1 PLC ± - 2 PLC ± - 3 PLC ± - 4 PLC ± - ANGLES ± -	PRODUCT SPEC -	RESTRICTED TO -	
MATERIAL -	FINISH -	APPLICATION SPEC -	SIZE A3	CAGE CODE 98278
		WEIGHT -	DRAWING NO C- 6-1532137-4	RESTRICTED TO -
CUSTOMER DRAWING			SCALE N/A	SHEET 1 of 1
			REV A	