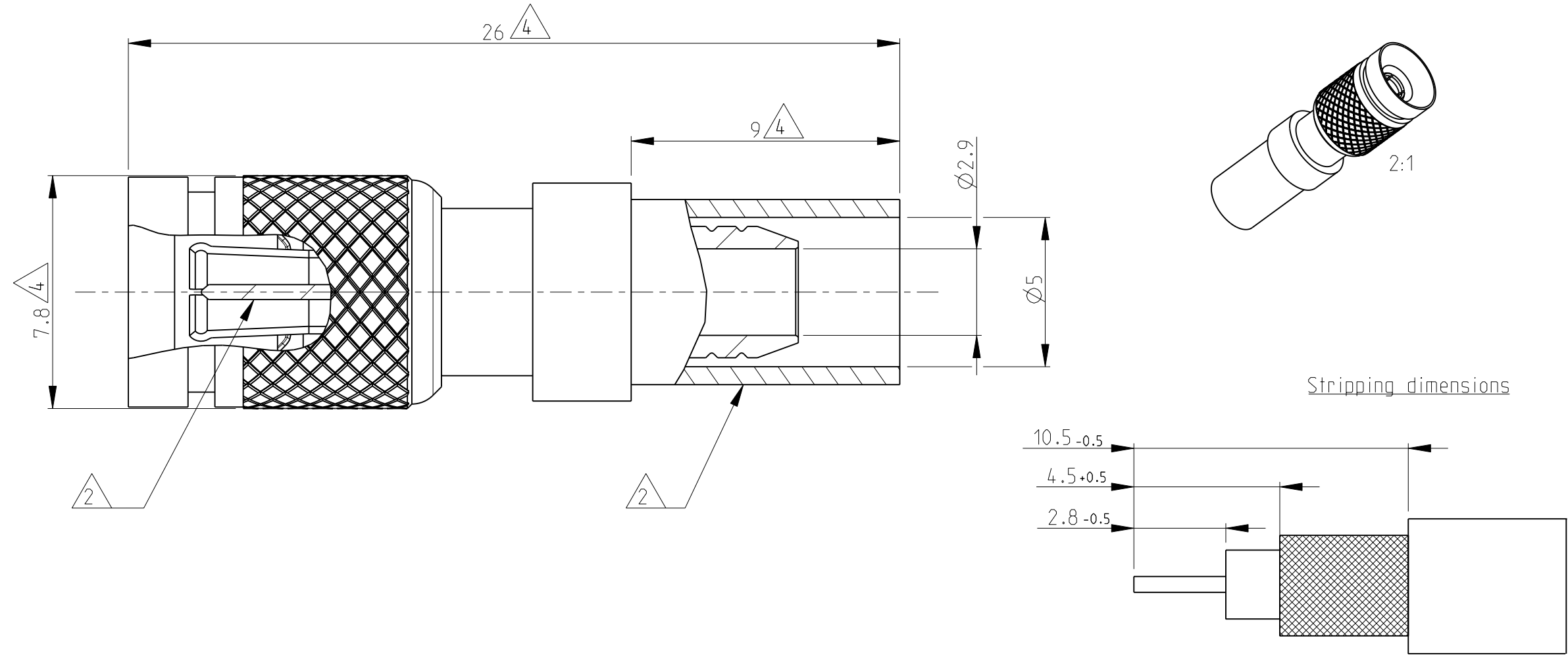


THIS DRAWING IS UNPUBLISHED. RELEASED FOR PUBLICATION 2000
 © COPYRIGHT 2000 BY TYCO ELECTRONICS CORPORATION. ALL RIGHTS RESERVED.

LOC	DIST	REVISIONS			
P	LTR	DESCRIPTION	DATE	DWN	APVD
IS	-	B	Update drawing	24FEB2009	MG DB
		B1	REVISED PER ECO-09-027197	17DEC2009	KK AEG



- 1) Dimensions of mating face according to IEC 169-29 and CECC 22230
- 2 Supplied as loose part
- 3 DIN ISO 8015; DIN ISO 2768-mH
- 4 Max. Dimensions
- 5 Single packaging
- 6 Bulk packaging
- 7 OBSOLETE PARTS: OBSOLETE CIS STREAMLINING PER D.RENAUD/D.SINISI

7	OBSOLETE	6-1393670-1	5	2YCCY	Body	Brass	Ni
		6-1393670-0	6	0.4/2.5	Dielectric	PTFE	-
					Center conductor	Cu Be/Brass	Au
					Outer conductor	Cu Be	NiPd
		Tyco P/N	Cable type	Description	Material	Plating	

<small>THIS DRAWING IS A CONTROLLED DOCUMENT FOR TYCO ELECTRONICS CORPORATION IT IS SUBJECT TO CHANGE AND THE CONTROLLING ENGINEERING ORGANIZATION SHOULD BE CONTACTED FOR THE LATEST REVISION.</small>		DWN M.Grazioli 24FEB2009 CHK D.Bozzer 24FEB2009 APVD - PRODUCT SPEC - APPLICATION SPEC 114-90009 WEIGHT -	Tyco Electronics Corporation Lugano - Switzerland
DIMENSIONS: mm 	TOLERANCES UNLESS OTHERWISE SPECIFIED: 0 PLC ± 1 PLC ± 2 PLC ± 3 PLC ± 4 PLC ± ANGLES ± FINISH -	NAME Cable plug 1.0/2.3 SIZE A3 CAGE CODE 00779 DRAWING NO C-6-1393670-1 RESTRICTED TO -	CUSTOMER DRAWING SCALE 8/1 SHEET 1 OF 1 REV B1