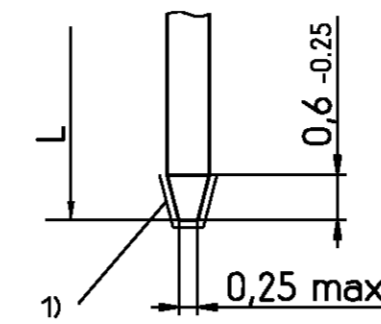


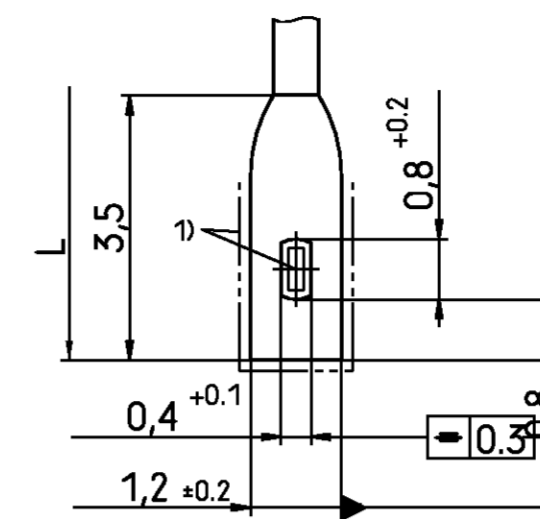
V 4 2 2 5 4 - B 3 * * * - C 9 * *

Termination Style

Solder/Wire-Wrap pins



Solder lug



1) Cutting edges not plated
Terminations with galvanic Sn plating

Termination Style	L	
	3	-0.4 00
	2.9 ± 0.3 4.5 ± 0.3 13 ± 0.5 11 ± 0.5 17 ± 0.5	01 02 40 41 42
	5.5 ± 0.3 10 -0.5	35

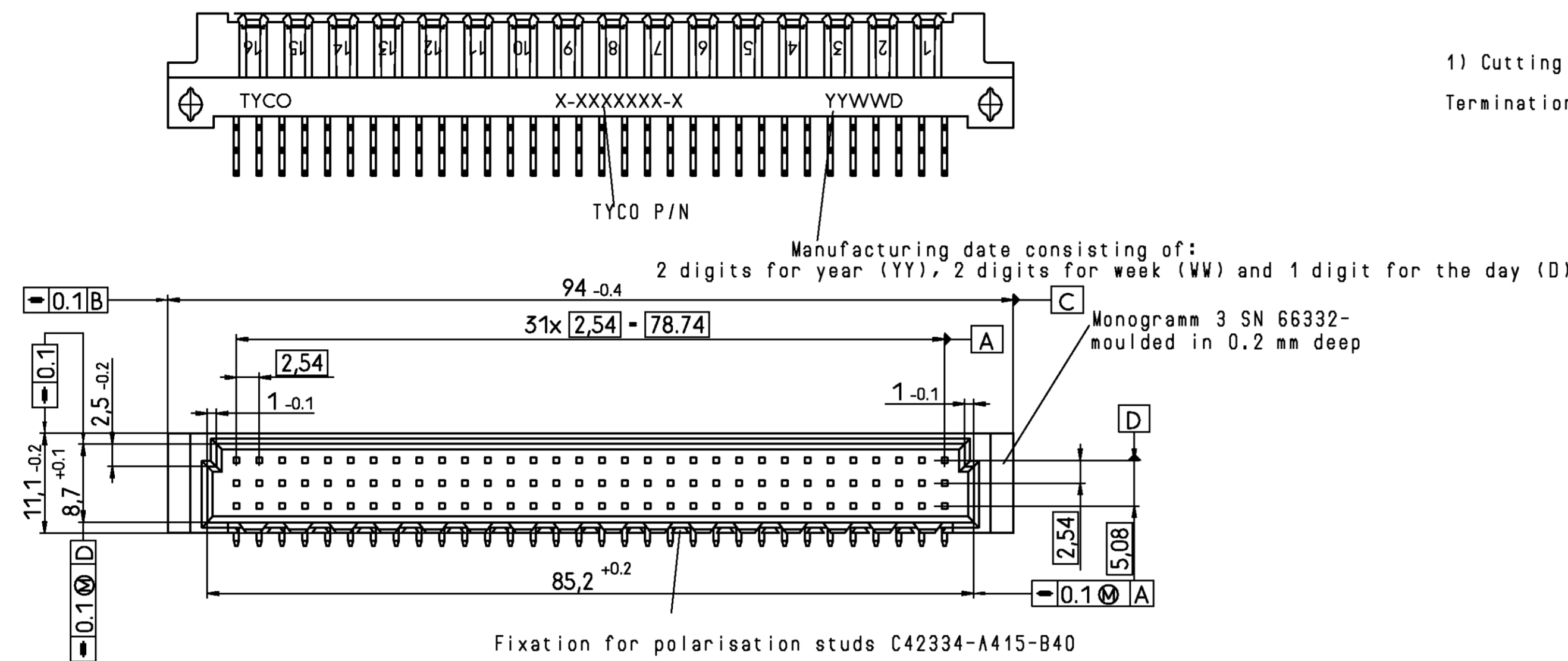
Contact assignment	
0	every row, every pitch
1	row a, every pitch
2	row a+b, every pitch
3	row a+c, every pitch
5	every row, every even pitch
6	row a, every even pitch
7	row a+b, every even pitch
8	row a+c, every even pitch

Version	
1	with board locks for 1,6mm PCB
3	with standard pre-mating *)
5	with board locks for 1,6mm PCB and with standard pre-mating *)
6	basic version

*) first and last contact of each loaded row is a pre-mating contact

Performance level	Noble metals	Plating thickness in reference area
Class I	Pd + Au or Au	1
	Au	4
Class II	Pd + Au or Au	2
	Au	5
Class III	Pd + Au or Au	3

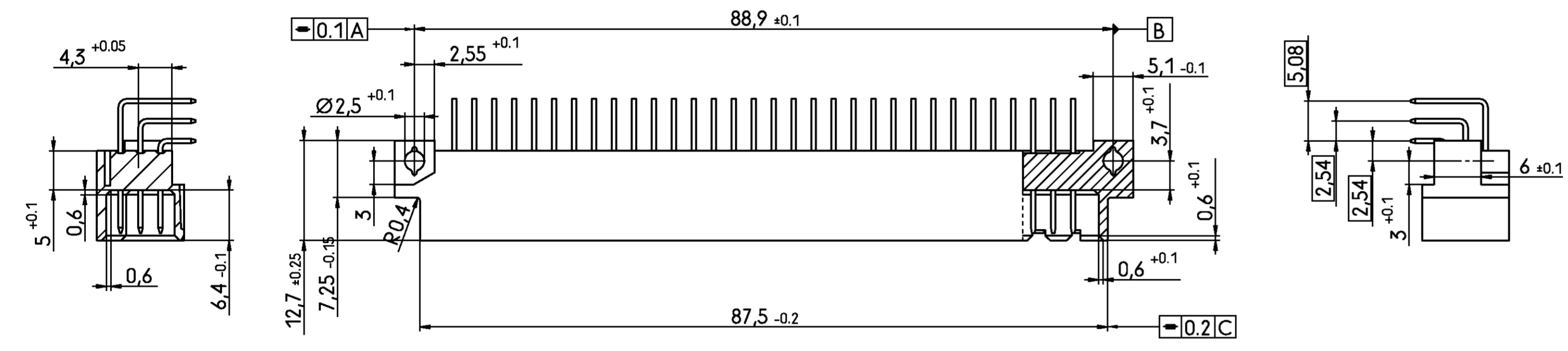
Nickel underlayer:
Protection film: HF-grease



Manufacturing date consisting of:
2 digits for year (YY), 2 digits for week (WW) and 1 digit for the day (D)

Monogramm 3 SN 66332-
moulded in 0.2 mm deep

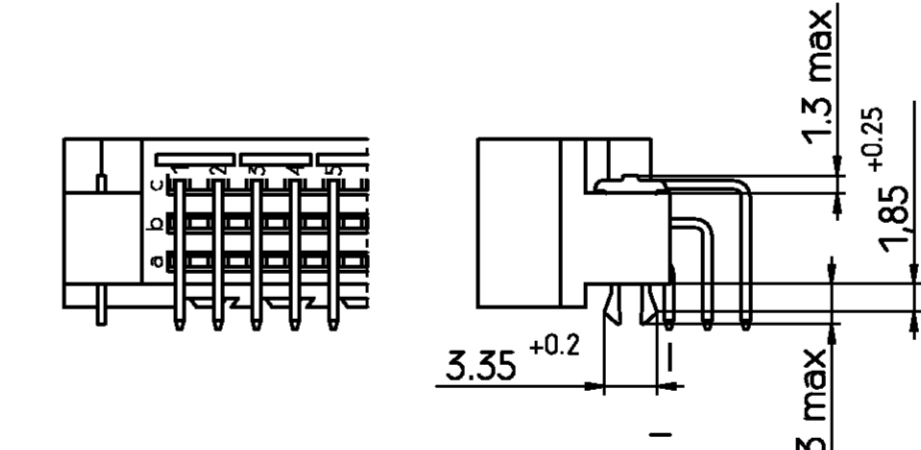
Fixation for polarisation studs C42334-A415-B40



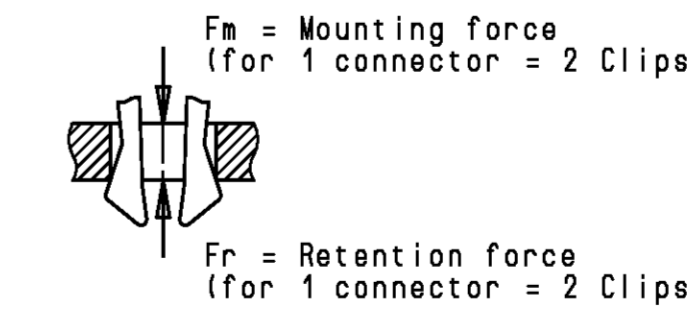
Inscription E 1.25-5 DIN 30640 moulded in 0.2 mm deep

Housing material: PBTP 30% glassfilled (UL94V-0)
Pebble grey (similar RAL 7032)

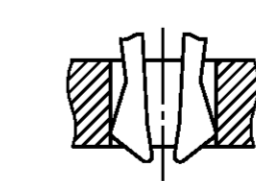
Male connector with board locks



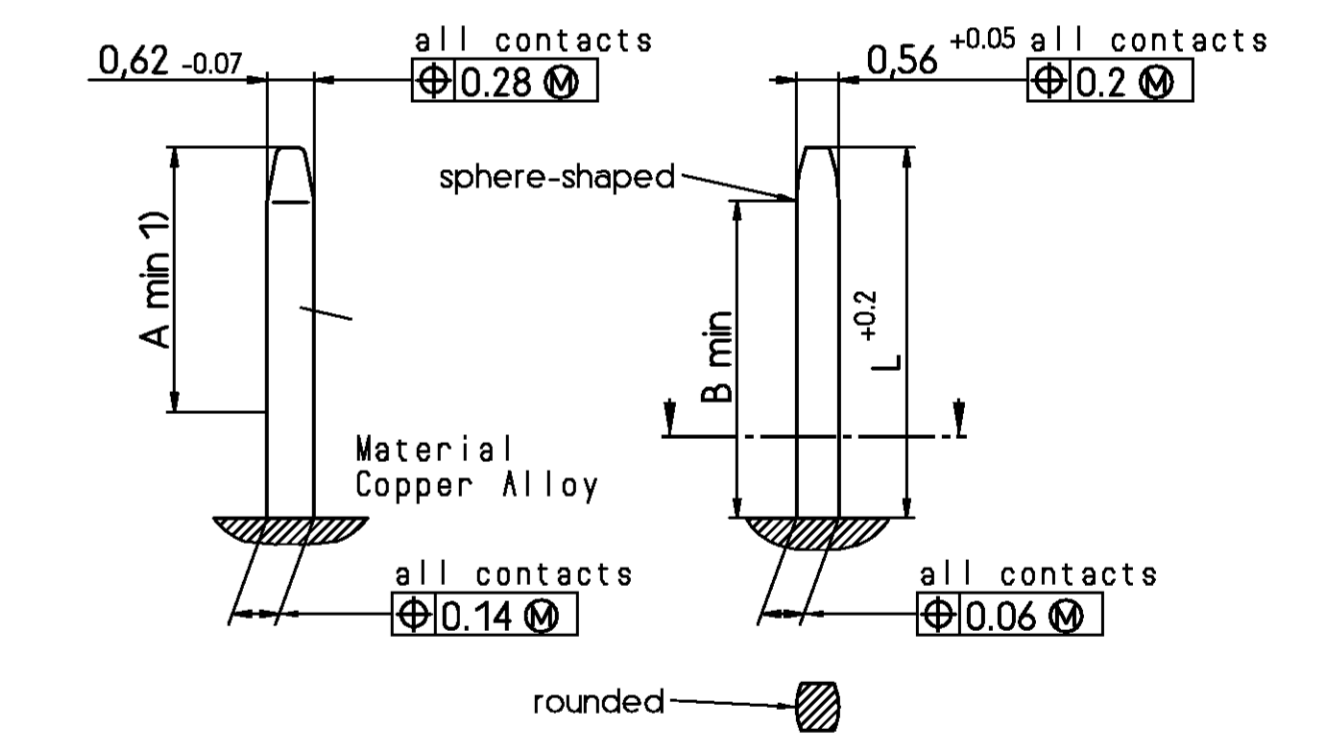
Mounted in PC-boards of 1.5 to 1.8 mm
F_m < 60 N
F_r > 20 N
F_r > 200 N, wenn soldered-in



Mounted in PC-boards over 1.8 mm
F_m < 60 N
F_r > 16 N



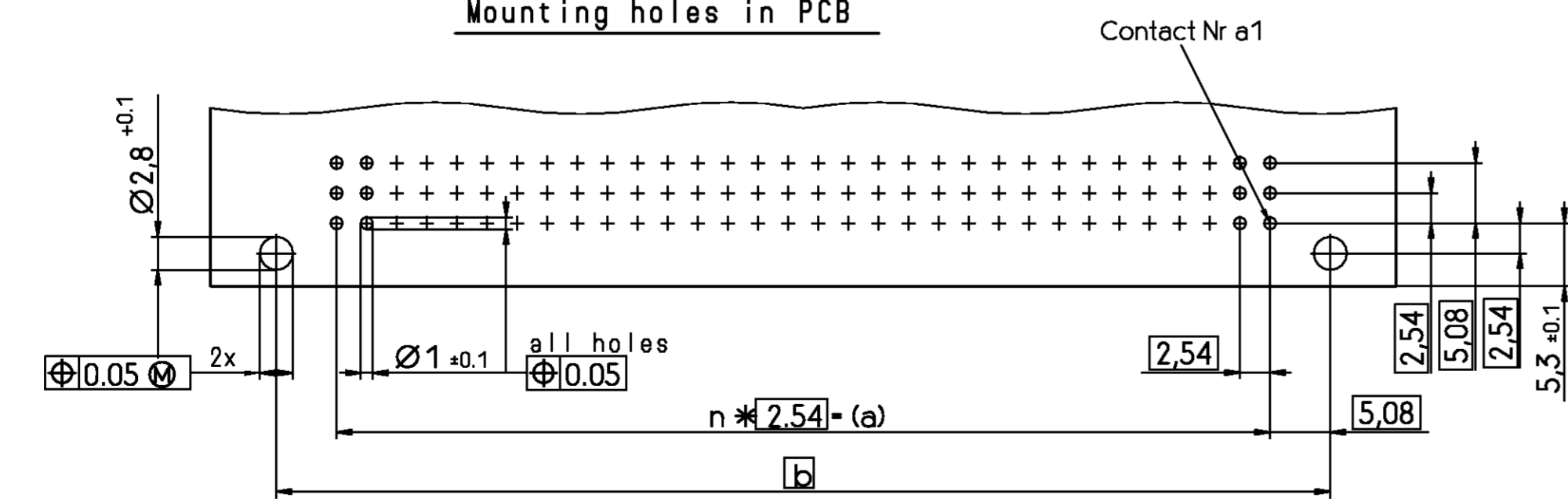
Contact: Dimensions, plating, material, pre-mating



1) Reference area for plating thickness as used in table

	L	A	B
normal contacts	4.8	3.5	4.2
pre-mating contacts	5.8	4.5	5.2

Mounting holes in PCB



Type	n	a	b
C	31	78.74	88.9

THIS INFORMATION IS CONFIDENTIAL AND PROPRIETARY TO TYCO ELECTRONICS CORPORATION AND ITS WORLDWIDE SUBSIDIARIES AND AFFILIATES. IT MAY NOT BE DISCLOSED TO ANYONE, OTHER THAN TYCO ELECTRONICS CORPORATION, WITHOUT WRITTEN AUTHORIZATION FROM TYCO ELECTRONICS CORPORATION, HARRISBURG, PENNSYLVANIA USA.

tyco		TYCO ELECTRONICS CORPORATION		SCALE		WEIGHT	
Electronics		OOSTKAMP - BELGIUM		DIMENSIONS IN MM		MATERIAL	
REV. CHANGE ORDER		DATE		APP.		Customer Drawing N° C. 6-1595646-7	
A1 SR10-0177-05		18 JUN 05		KV		NAME Cuveller	
A WQ 007012		20.07.00		VS		DEP. PD.COM	
04 WQ 96/1019		11.01.96		CLV		PART NAME	
03 WQ 91/223		09.04.91		CLV		PIN Assembly Eurocard	
02 WB 89/184		12.03.90		Vanb		Type C Coding version	
01		27.02.89		Vanb		PART NO.	
						V42254-B3***-C***-7626	
						SHT. 1+	
						OF 2	

THIS INFORMATION IS CONFIDENTIAL AND PROPRIETARY TO TYCO ELECTRONICS CORPORATION AND ITS WORLDWIDE
 SUBSIDIARIES AND AFFILIATES. IT MAY NOT BE DISCLOSED TO ANYONE, OTHER THAN TYCO ELECTRONICS PERSONNEL,
 WITHOUT WRITTEN AUTHORIZATION FROM TYCO ELECTRONICS CORPORATION, HARRISBURG PENNSYLVANIA USA

PROPRIETARY:


1 2 3 4 5 6 7 8

A
B
C
D
E
F

Old Part Number	Tyco Part Number	Style & Number of Positions	Termination posts	Loaded Rows	Standard Pre-Mating (1 mm T)	Performance Level	Board Locks
V42254-B3100-C910	6-1393646-7	C96	right-angle solder leads	every row , every pitch	No	1	Yes
V42254-B3100-C913	6-1393646-8	C96	right-angle solder leads	row a+c , every pitch	No	1	Yes
V42254-B3100-C960	6-1393646-9	C96	right-angle solder leads	every row , every pitch	No	1	No
V42254-B3100-C962	7-1393646-0	C96	right-angle solder leads	row a+b , every pitch	No	1	No
V42254-B3100-C963	7-1393646-1	C96	right-angle solder leads	row a+c , every pitch	No	1	No
V42254-B3100-C968	7-1393646-2	C96	right-angle solder leads	row a+c , every even pitch	No	1	No
V42254-B3102-C960	7-1393646-3	C96	4,5mm straight solder leads	every row , every pitch	No	1	No
V42254-B3200-C910	7-1393646-4	C96	right-angle solder leads	every row , every pitch	No	2	Yes
V42254-B3200-C913	7-1393646-5	C96	right-angle solder leads	row a+c , every pitch	No	2	Yes
V42254-B3200-C933	7-1393646-6	C96	right-angle solder leads	row a+c , every pitch	Yes	2	No
V42254-B3200-C950	7-1393646-8	C96	right-angle solder leads	every row , every pitch	Yes	2	Yes
V42254-B3200-C953	7-1393646-9	C96	right-angle solder leads	row a+c , every pitch	Yes	2	Yes
V42254-B3200-C960	8-1393646-0	C96	right-angle solder leads	every row , every pitch	No	2	No
V42254-B3200-C963	8-1393646-3	C96	right-angle solder leads	row a+c , every pitch	No	2	No
V42254-B3200-C968	8-1393646-4	C96	right-angle solder leads	row a+c , every even pitch	No	2	No

1) First and last contact of each loaded row is a pre-mating (make first / break last) contact.

Active part numbers.
 Contact Tyco Electronics for other configuration availability

tyco TYCO ELECTRONICS CORPORATION				SCALE	WEIGHT
Electronics OOSTKAMP - BELGIUM		DIMENSIONS IN MM		MATERIAL	
DATE 27.02.89		TOLERANCE UNLESS SPECIFIED OTHERWISE		PART NAME	
NAME Cuvelier		PART NO.		PIN Assembly Eurocard	
DEP. PD COM		SHT. 2-		Type C, Coding version	
A1 see page 1		Customer Drawing Nr. C 6-1393646-7		V42254-B3***-C***-*7626	
REV.	CHANGE ORDER	DATE	APP.	OF 2	

1 2 3 4 5 6 7 8