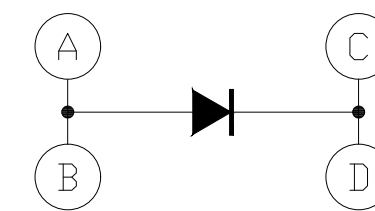
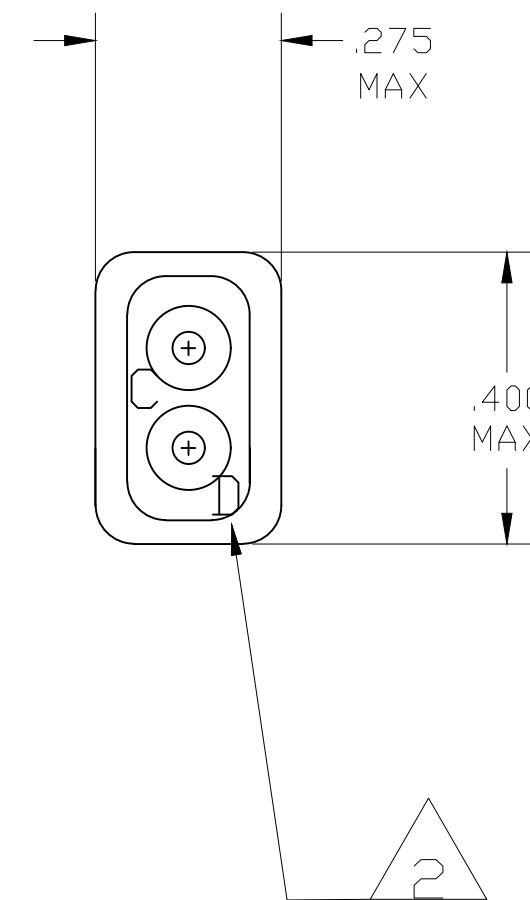
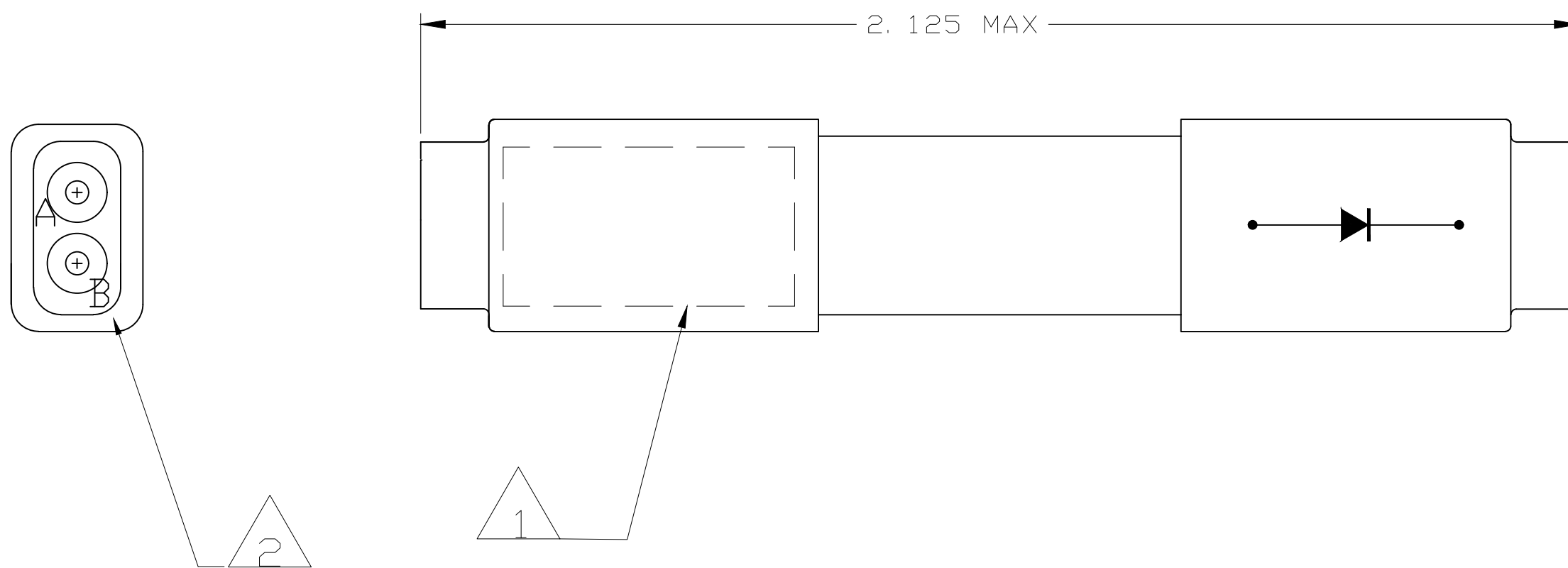


DESCRIPTION	MATERIAL	FINISH
GROMMET	FLUOROSILICONE MPS #10149	COLOR: RED
SPLICE ASSEMBLY HOUSING	EPOXY	COLOR: BLACK
CONTACT FEMALE SOCKET	BERYLLIUM COPPER PER ASTM-B194	GOLD PLATE ASTM-B-488
CLIP CONTACT RETAINING	BERYLLIUM COPPER PER ASTM-B194 OR STAINLESS STEEL PER QQ-S-766	NONE
SHRINK TUBE	PER MIL-1-23053/8	COLOR TRANSPARENT
DIODE	1N5367B	NONE

P	LTR	DESCRIPTION	DATE	DWN	APVD
C		REV PER ECO 20-014792	11-10-20	CT	VR



SCHEMATIC



- 1 MARK SPLICE IDENTIFICATION, "AMP", TE PART NO. AND DATE CODE .060 MINIMUM HIGH CHARACTERS.
- 2 MARK WIRE SPLICE BUSSING ARRANGEMENT BOTH ENDS AS SHOWN.
- 3 5-591890-1 IS THE SAME AS 591890-1 EXCEPT THE SOLDER IS LEAD FREE

3	5-591890-1
	591890-1
	PART NO.

THIS DRAWING IS A CONTROLLED DOCUMENT.		DWN C. C. THOMAS 3-13-14	TE TE Connectivity	
DIMENSIONS: INCHES		CHK D. EABY 3-14-14		
TOLERANCES UNLESS OTHERWISE SPECIFIED:		APVD D. EABY 3-13-14	NAME WIRE SPLICE ASSY DOUBLE W/ DIODE SIZE 20 & 22, TJ	
0 PLC ± -		PRODUCT SPEC	SIZE	
1 PLC ± -		APPLICATION SPEC	CAGE CODE	
2 PLC ± -			DRAWING NO	
3 PLC ± -			RESTRICTED TO	
4 PLC ± -			SCALE	
ANGLES ± -			SHEET	
MATERIAL SEE TABLE	FINISH SEE TABLE	WEIGHT 0.000000	A200779	C-591890
		CUSTOMER DRAWING	SCALE 4:1	SHEET 1 OF 1
				REV C