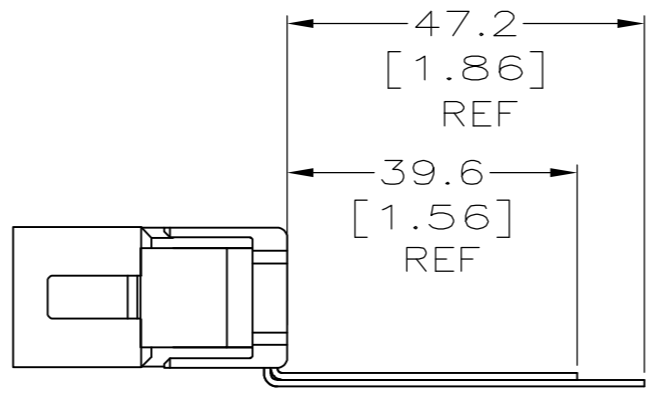
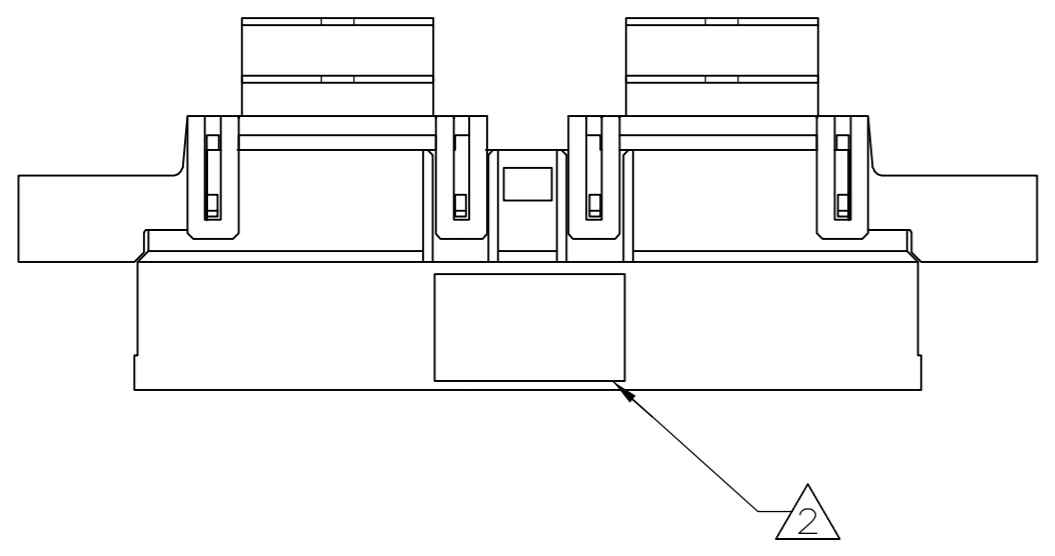


THIS DRAWING IS UNPUBLISHED. RELEASED FOR PUBLICATION
 © COPYRIGHT BY TYCO ELECTRONICS CORPORATION. ALL RIGHTS RESERVED.

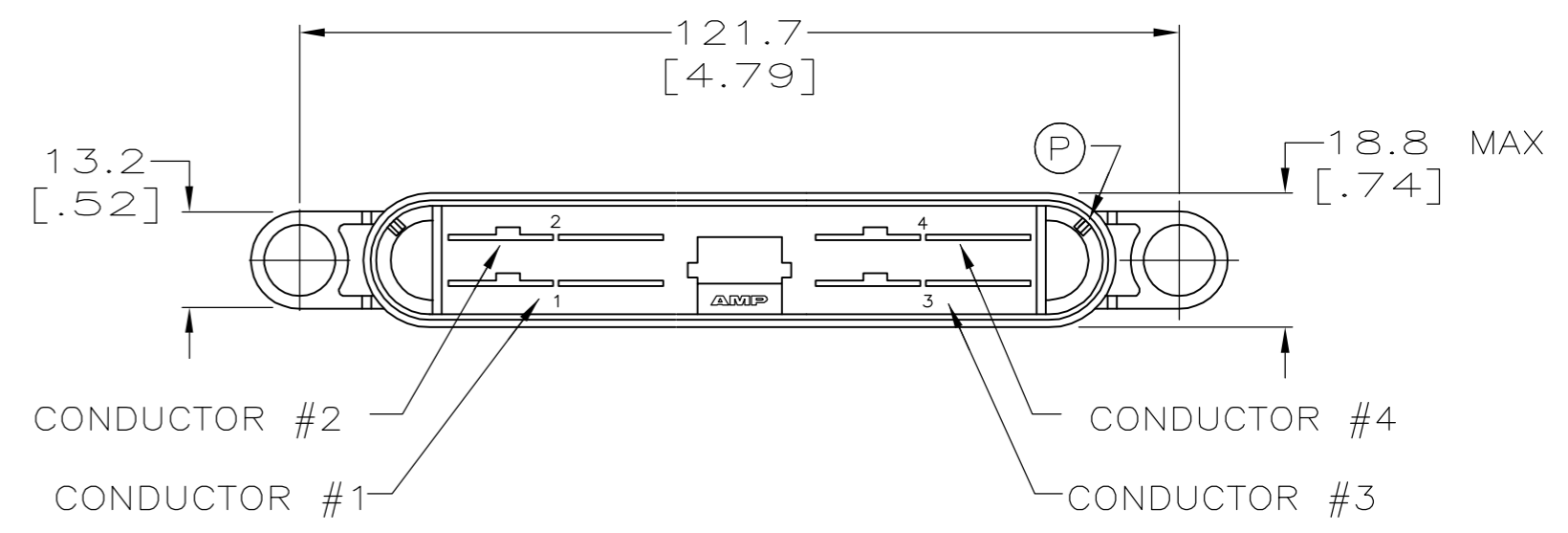
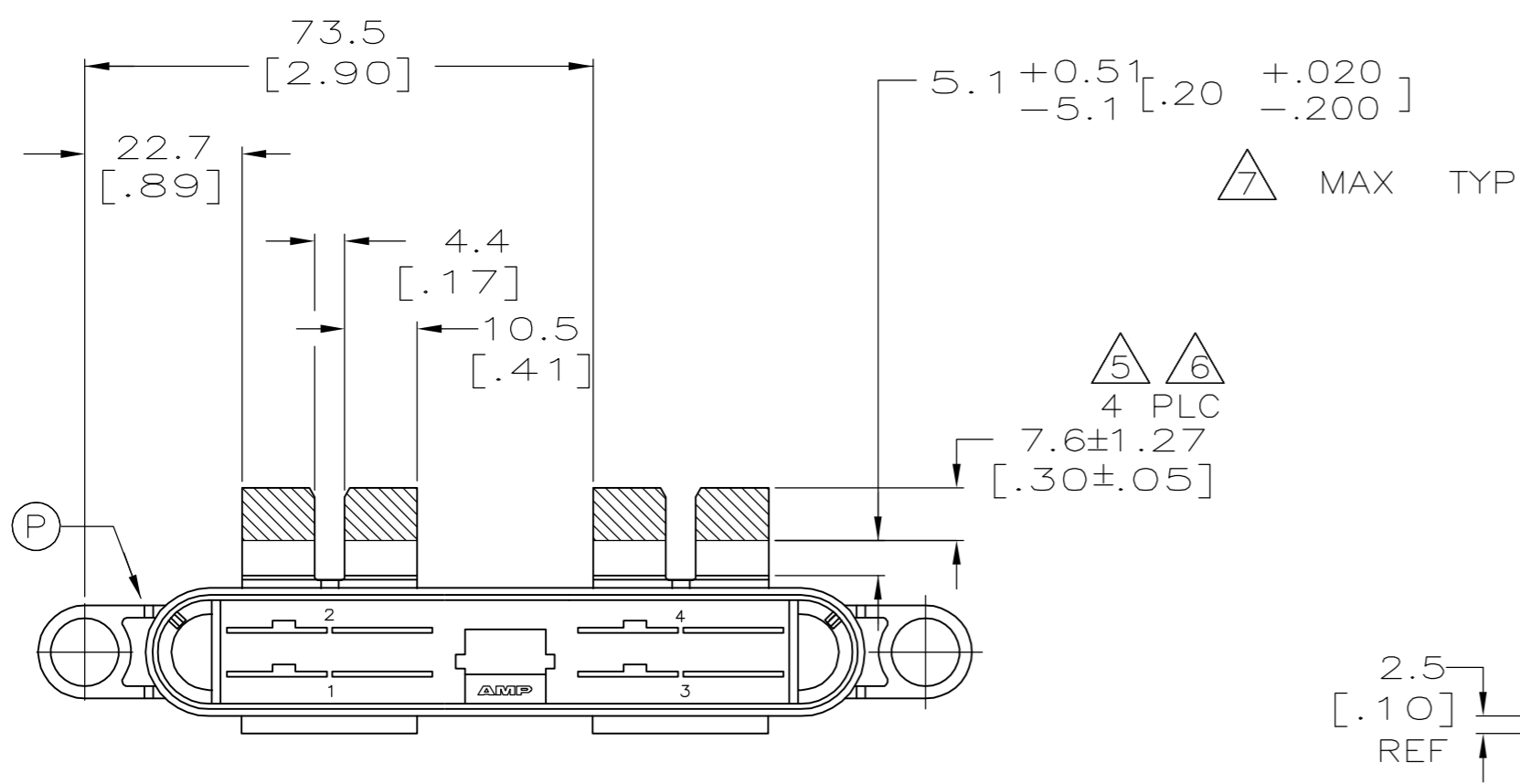
*AMPOWER is a trademark

LOC	DIST	REVISIONS			
P	LTR	DESCRIPTION	DATE	DWN	APVD
GP	00	NEW RELEASE	04APR06	BF	JS



PRIOR TO FOLD - REF

1. CABLE LENGTH TOLERANCE = 0.2% OF TOTAL CABLE LENGTH, WITH A MINIMUM TOLERANCE OF ± 3.18 [.125]. I.E. $6096 [240.0] * .002 = \pm 12.2 [.480]$
2. LABEL APPROXIMATELY WHERE SHOWN.
3. RECOMMENDED MOUNTING HARDWARE, AMP P/N 208211 NOT SUPPLIED WITH HARNESS ASSEMBLY.
4. NO SIGNAL MODULE SUPPLIED
5. STRIPPED AND HOT TIN SOLDER DIPPED AREA.
6. PRODUCT AND PROCESSING MUST MEET REQUIREMENTS OF TYCO ELECTRONICS STANDARD 230-702.
7. INSULATION-FREE AREA.
8. ENDS OF CABLE MUST BE EVEN.



CONDUCTOR TABULATION		
NO.	STYLE	TERMINATION
1	SPLIT .010-2	UNTERM-SOLDER
2	SPLIT .010-2	UNTERM-SOLDER
3	SPLIT .010-2	UNTERM-SOLDER
4	SPLIT .010-2	UNTERM-SOLDER

POSITION NUMBER	POWER CONTACT 765209-2 (SHORT)	GROUND CONTACT 765209-1 (LONG)
1	--	X
2	--	X
3	--	X
4	--	X

SPLIT	0.25 [.010]	5766031-1
STYLE	CONDUCTOR THICKNESS	PART NUMBER

THIS DRAWING IS A CONTROLLED DOCUMENT.

DIMENSIONS: mm	TOLERANCES UNLESS OTHERWISE SPECIFIED:	DWN B. FRAY 04APR06	Tyco Electronics Corporation Harrisburg, PA 17105-3608
	0 PLC ± - 1 PLC ± 0.5 [.02] 2 PLC ± 0.25 [.010] 3 PLC ± - 4 PLC ± - ANGLES ± - FINISH -	CHK J. SCHOLZ 04APR06 APVD J. SCHOLZ 04APR06 PRODUCT SPEC APPLICATION SPEC 114-49005	
MATERIAL		WEIGHT	NAME AMPOWER* Wave Crimp System CABLE ASSEMBLY SIZE A2 CAGE CODE 00779 DRAWING NO C=5766031 RESTRICTED TO - CUSTOMER DRAWING SCALE FULL SHEET 1 of 1 REV 0