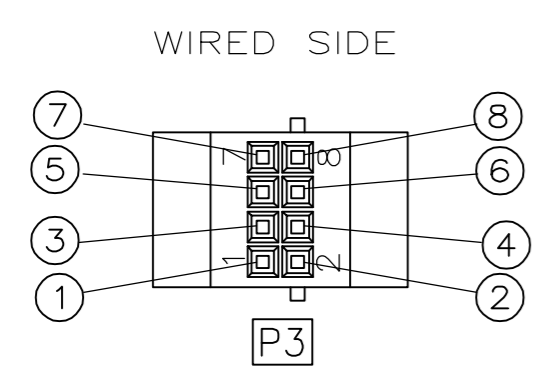
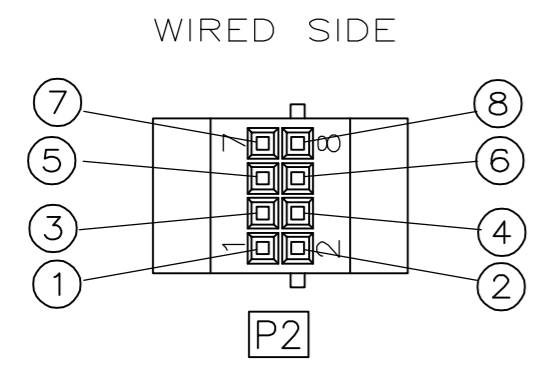
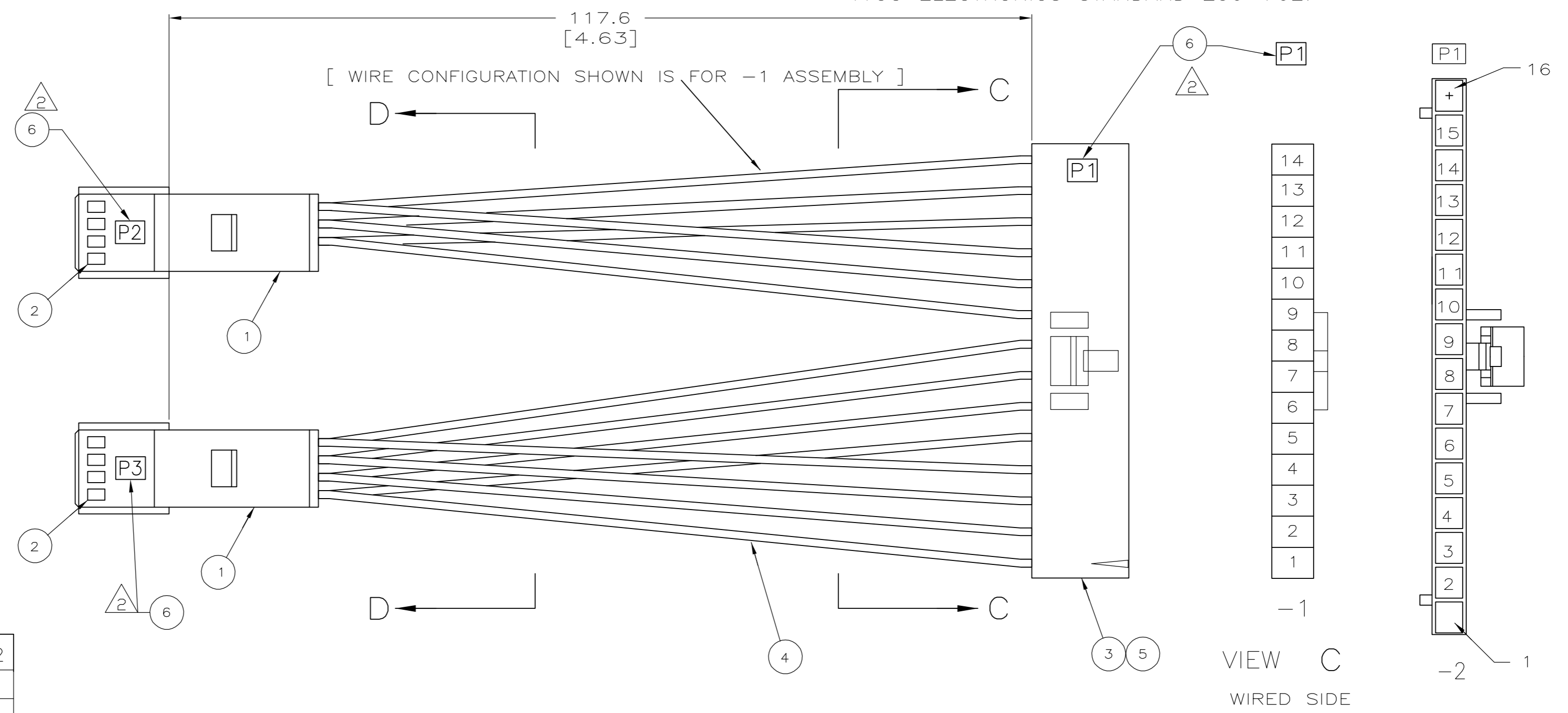
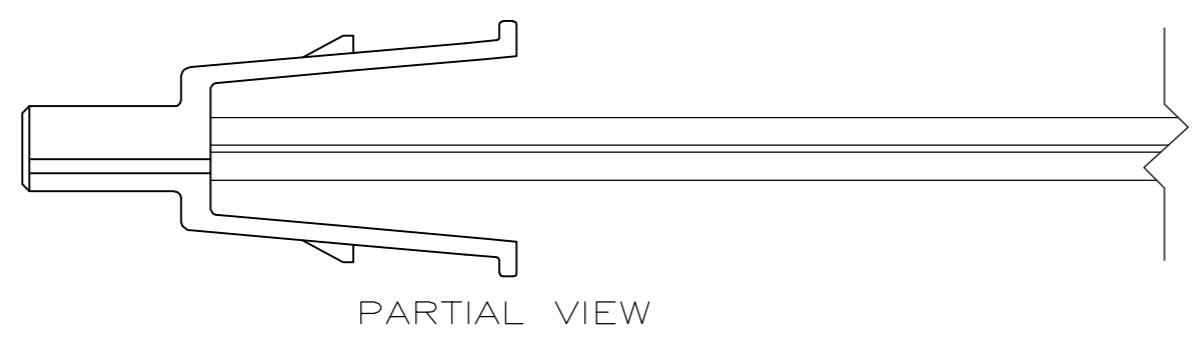


LOC	DIST	REVISIONS					
GP	00	P	LTR	DESCRIPTION	DATE	DWN	APVD
		01		CORRECT NOTE 2	10/JAN/06	ECC	JS

- CABLE LENGTH TOLERANCE=0.2% OF TOTAL CABLE LENGTH, WITH A MINIMUM TOLERANCE OF ± 3.18 [.125]. I.E. $6096 [240.0] * .002 = \pm 12.2 [.480]$
- LABEL APPROXIMATELY WHERE SHOWN.
- THIS DRAWING RESTRICTED TO ARTESYN TECH.
- WIRE LENGTHS OF 6.18 FT TOTAL FOR -1 AND 7.06 FT TOTAL FOR -2.
- PRODUCT AND PROCESSING MUST MEET REQUIREMENTS OF TYCO ELECTRONICS STANDARD 230-702.



	5766030-1	5766030-2
P1 1	P3 1	P3 1
2	3	3
3	5	5
4	7	7
5	2	2
6	4	4
7	6	6
8	8	8
9	P2 3	P2 1
10	5	3
11	7	5
12	4	7
13	6	2
14	8	4
15	-	6
16	-	8

CABLE ASSY LENGTH	STYLE	CONDUCTOR THICKNESS	PART NUMBER
-	SPLIT	0.25 [.010]	5766030-2
-	SPLIT	0.25 [.010]	5766030-1

3	3	-	7-1200608-9	LABEL, POLYSETER, .38 x .38	6
1	-	-	6-103644-5	AMPMODU MTE RCPT ASSY, 16 POS	5
16	14	A	765611-5	WIRE, 22AWG, TEF, 7X30, GRN, 5.30IN	4
-	1	-	6-103644-3	AMPMODU MTE RCPT ASSY, 14 POS	3
16	14	D	5530553-6	CRIMP SNAP-IN SOCKET	2
2	2	C	765239-1	HSG, SIGNAL LINE, 8 POSITION	1
-2	-1	DWG SIZE	PART NO	DESCRIPTION	ITEM NO

THIS DRAWING IS A CONTROLLED DOCUMENT.

DWN: E.C. CLAYBAUGH 14/DEC/05
 CHK: J. SCHOLZ 14/DEC/05
 APVD: J. SCHOLZ 14/DEC/05

tyco Electronics Tyco Electronics Corporation
 Harrisburg, PA 17105-3608

NAME: CABLE ASSEMBLY, HARNESS

PRODUCT SPEC: -
 APPLICATION SPEC: -
 *AMPPOWER: -
 WEIGHT: -
 CUSTOMER DRAWING

DRAWING NO: A2 00779 C=5766030
 RESTRICTED TO: -
 SCALE: N.T.S. SHEET: 1 of 1 REV: 01