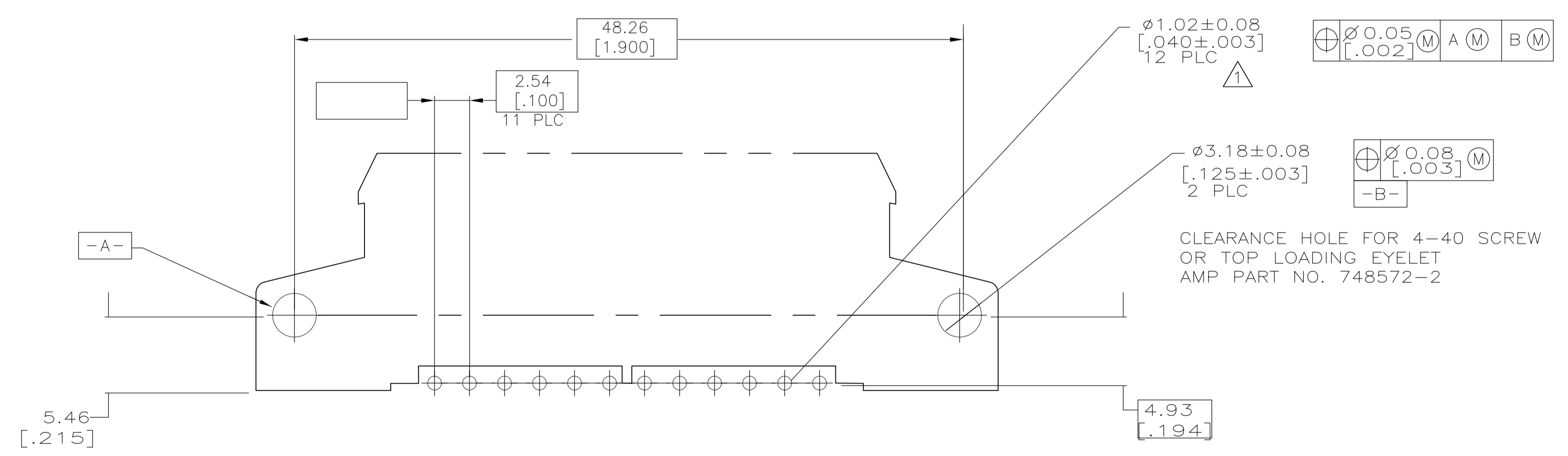
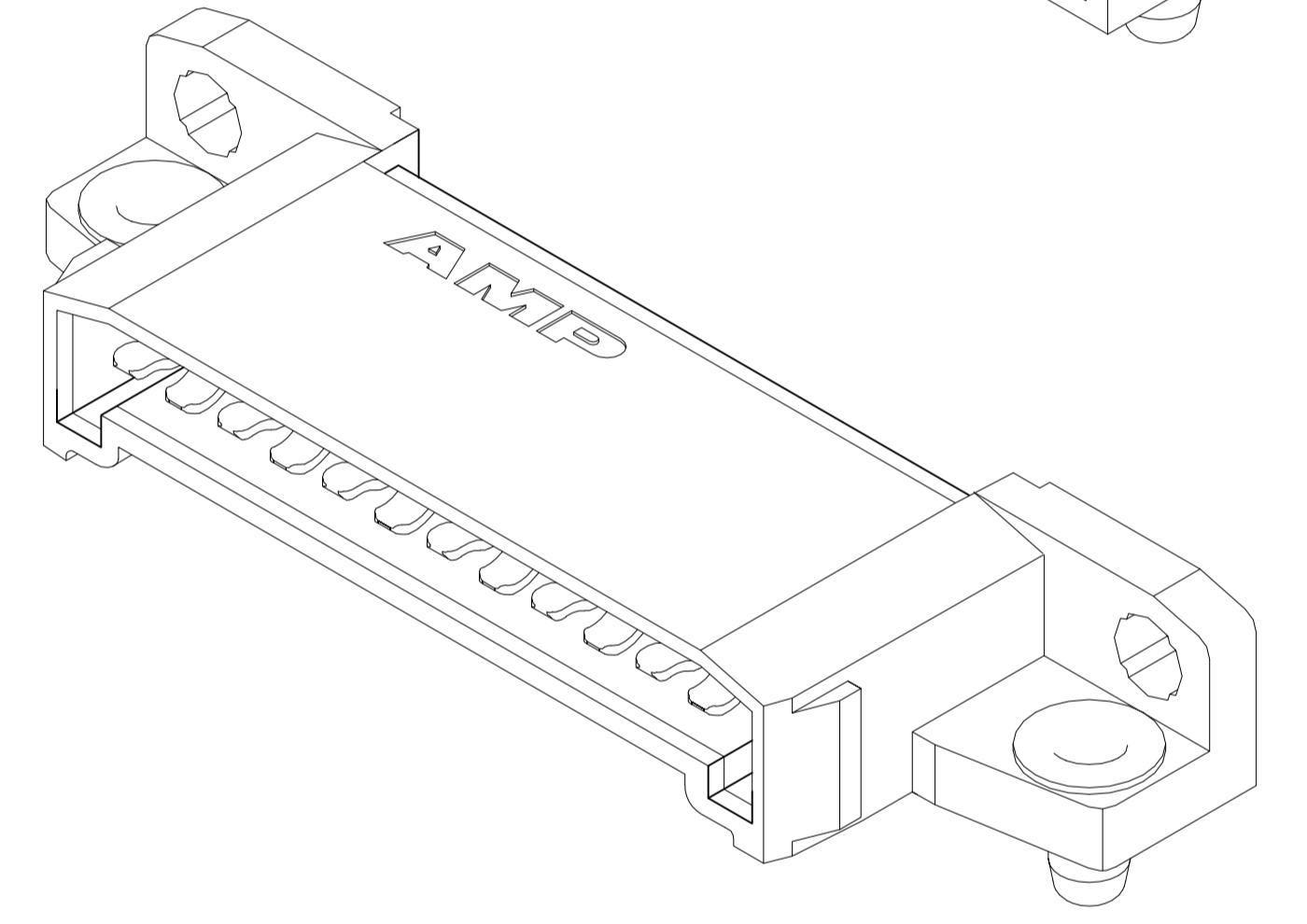
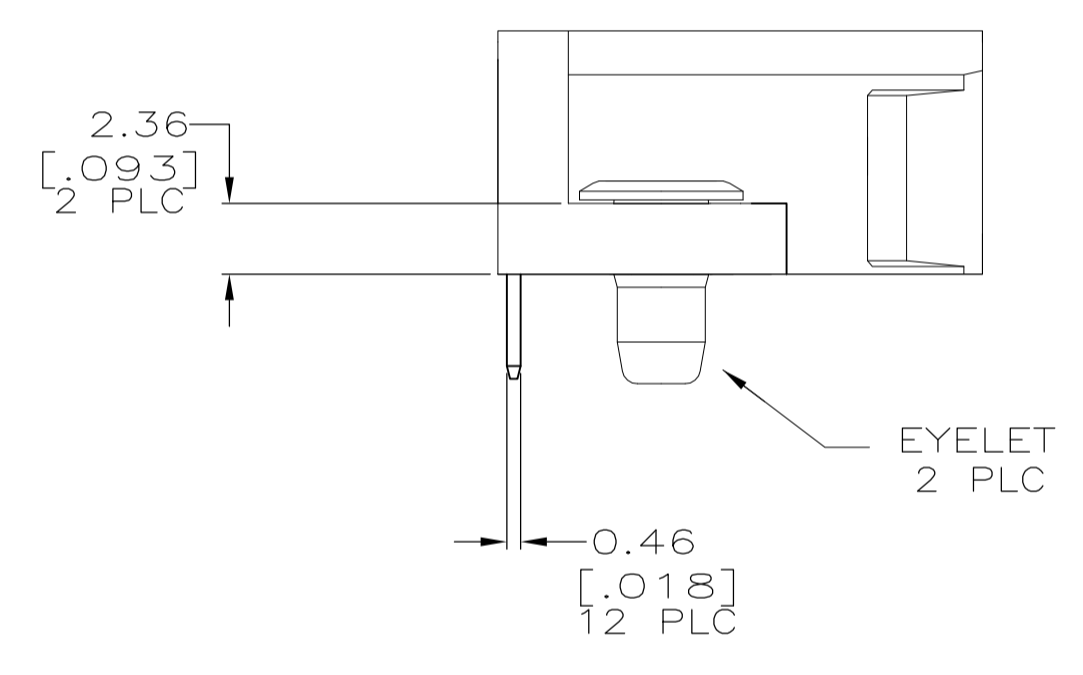
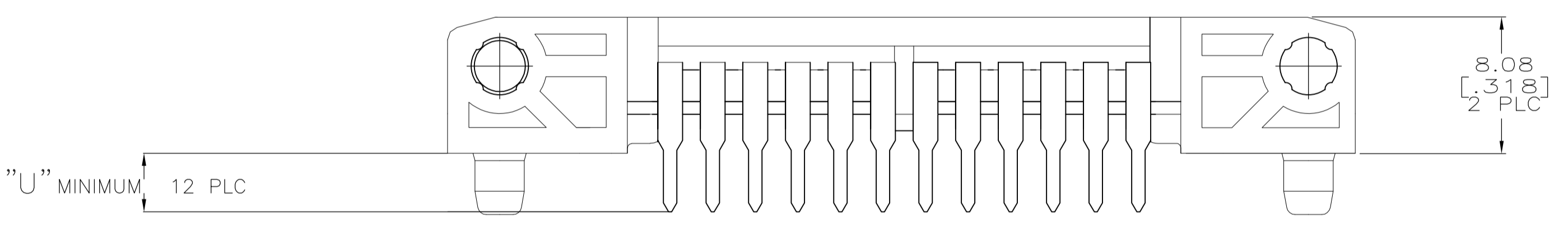
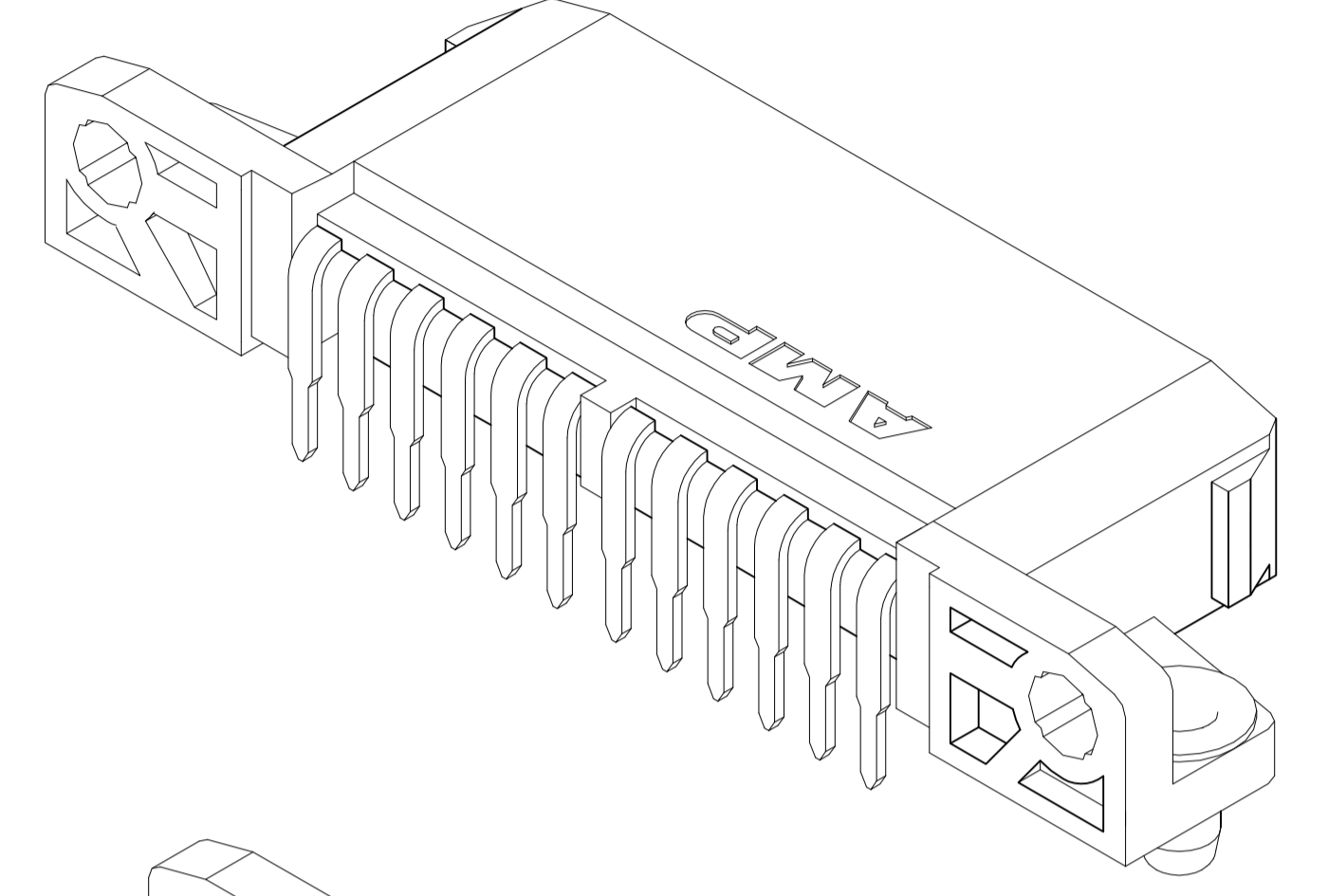
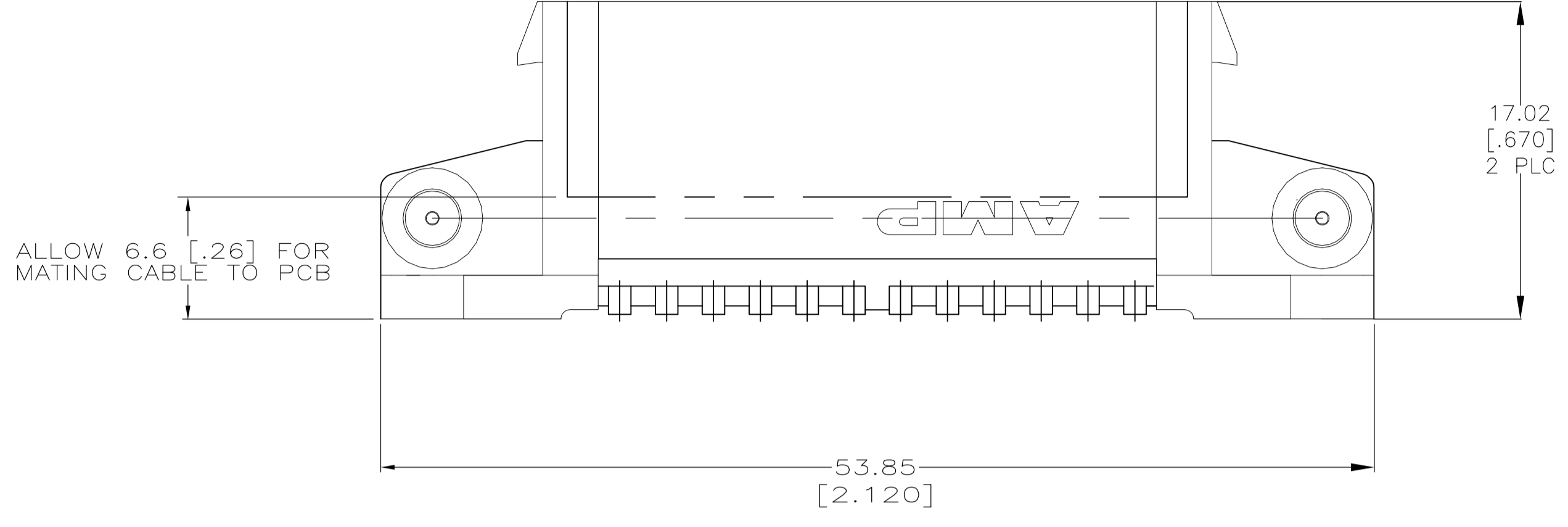


AMPOWER is a registered trademark of AMP Incorporated.

1. HOLE DIAMETER AFTER PLATING.
2. PRODUCT AND PROCESSING MUST MEET REQUIREMENTS OF TYCO ELECTRONICS STANDARD 230-702.



RECOMMENDED PC BOARD LAYOUT
 2.54 [.100] CENTERLINES

OBSOLETE	WITH EYELETS	5.72 [.225]	4.75 [.187]	1-5765204-6
		4.19 [.165]	3.17 [.125]	1-5765204-4
OBSOLETE	W/O EYELETS	3.15 [.124]	1.57 [.062] TO 2.36 [.093]	1-5765204-3
		5.72 [.225]	4.75 [.187]	5765204-8
		4.19 [.165]	3.17 [.125]	5765204-6
		3.15 [.124]	1.57 [.062] TO 2.36 [.093]	5765204-5
		"U" BOARD THICKNESS		

THIS DRAWING IS A CONTROLLED DOCUMENT.

DIMENSIONS: mm [INCHES]	TOLERANCES UNLESS OTHERWISE SPECIFIED:	0 PLC ± -	1 PLC ± -	2 PLC ± 0.25 [01]	3 PLC ± 0.13 [005]	4 PLC ± -	ANGLES ± -
MATERIAL: HIGH_TEMP	FINISH: SILVER ON MATING END, ALL OVER NICKEL.	CONTACT: COPPER ALLOY	WEIGHT: -	SCALE: 4:1	SHEET 1 OF 1	REV A	RESTRICTED TO

DRAWING NO: A100779
 PART NO: 5765204
 CUSTOMER DRAWING
 Tyco Electronics Corporation, Harrisburg, PA 17105-3608
 HORIZONTAL HEADER ASSEMBLY AMPPOWER Wave Crimp System