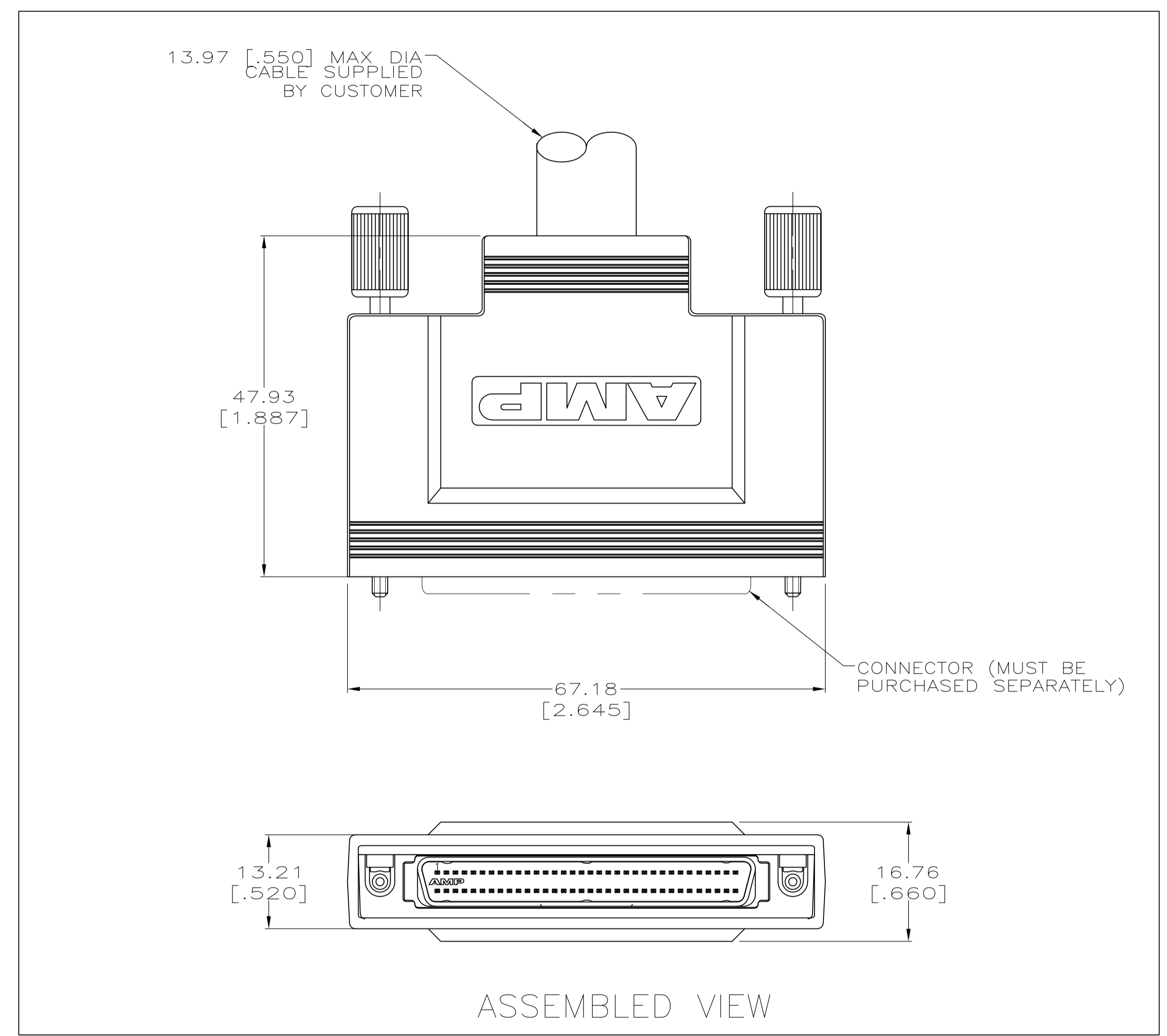
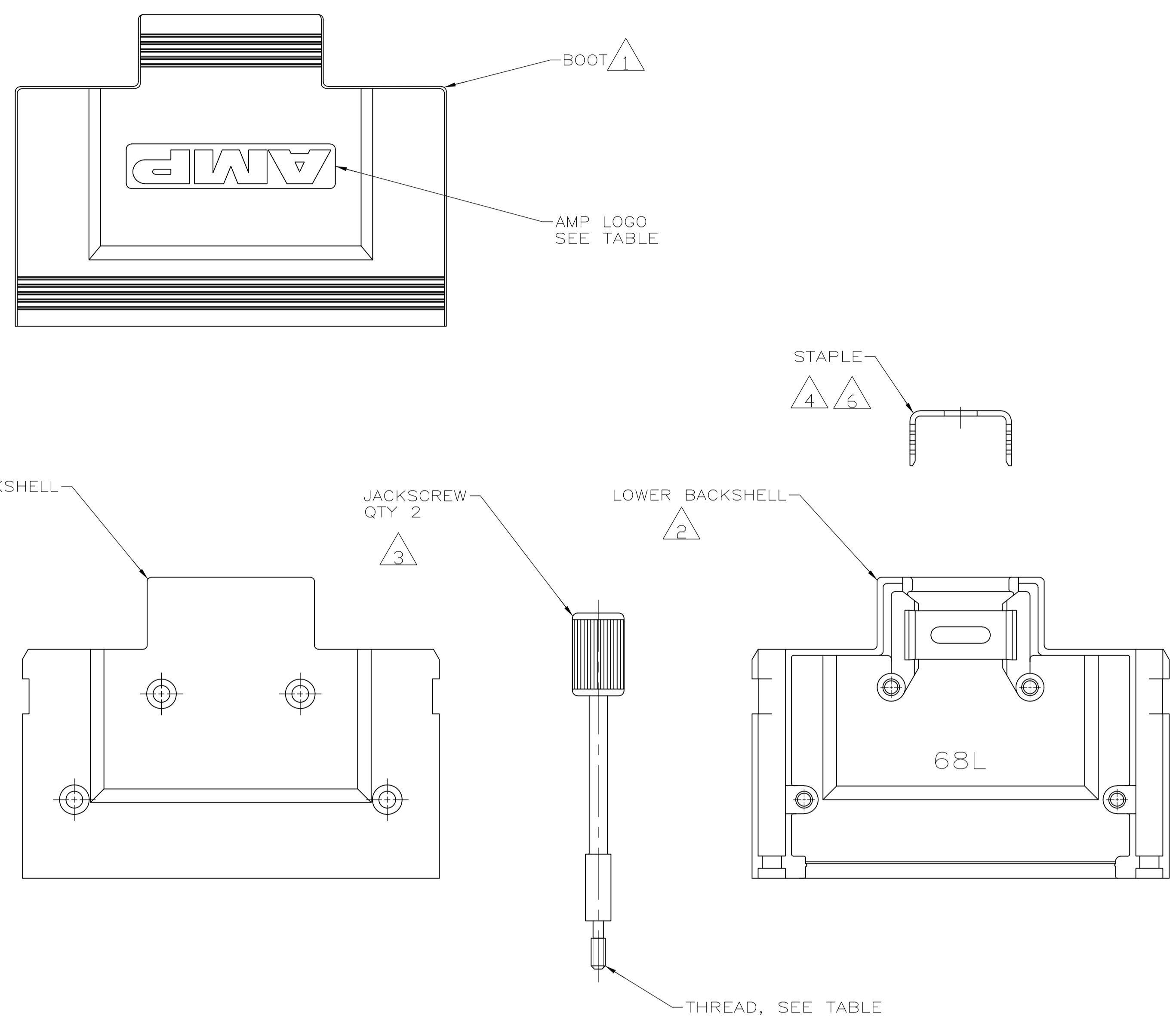


REVISIONS					
P	LTR	DESCRIPTION	DATE	DWN	APVD
C		REVISED PER ECO-16-005483	13APR2016	AP	DG



2-56
SELF-TAPPING SCREW
QTY = 4
5

- 1 PVC, BLACK.
- 2 ZINC.
- 3 STAINLESS STEEL
- 4 CARBON STEEL.
- 5 STAINLESS STEEL.
- 6 1.27µm [.000050] MIN BRIGHT TIN OVER 1.27µm [.000050] MIN NICKEL.
- 7 PARTS INDIVIDUAL BULK PACKAGED.
- 8 PARTS PACKAGED AS A UNIT KIT.
- 9 OBSOLETE PARTS: OBSOLETE CIS STREAMLINING PER D.RENAUD/D.SINISI

OBSOLETE 9	NO	YES	2-56	7	5750752-5
	YES	YES	2-56	8	5750752-4
	NO	NO	2-56	9	5750752-3
	YES	YES	4-40	10	5750752-2
	YES	YES	2-56	11	5750752-1
	AMP LOGO	BOOT	JACKSCREW THREAD	PART NUMBER	

**COPYRIGHT 2005
TYCO ELECTRONICS CORP
ALL RIGHTS RESERVED**

THIS DRAWING IS A CONTROLLED DOCUMENT. DIMENSIONING AND TOLERANCING PER ASME Y14.5M-2009

DIMENSIONS: INCHES	TOLERANCES UNLESS OTHERWISE SPECIFIED:	0. PLC ± -	1. PLC ± -	2. PLC ± -.5[.020]	3. PLC ± -	4. PLC ± -	ANGLES ± -				
MATERIAL	FINISH	WEIGHT	0.000000	SIZE	A1	CAGE CODE	00779	DRAWING NO	5750752	RESTRICTED TO	-
CUSTOMER DRAWING		SCALE	1:1	SHEET	1 of 1	REV	C				

APPROVED: G. PETERS, S. SHUEY, M. WALMSLEY
TE Connectivity
BACKSHELL KIT, UNASSEMBLED, 68 POSN, AMPLIMITE .050 Series