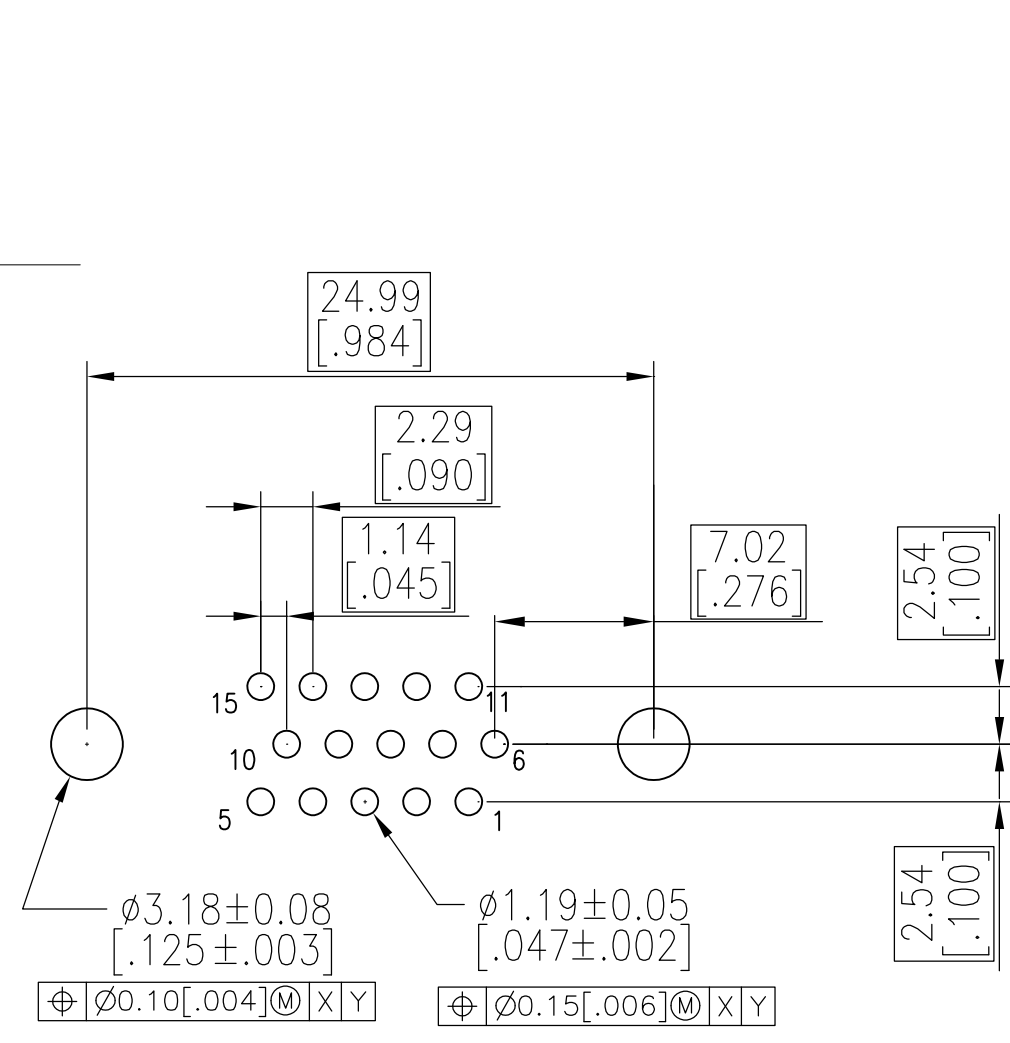
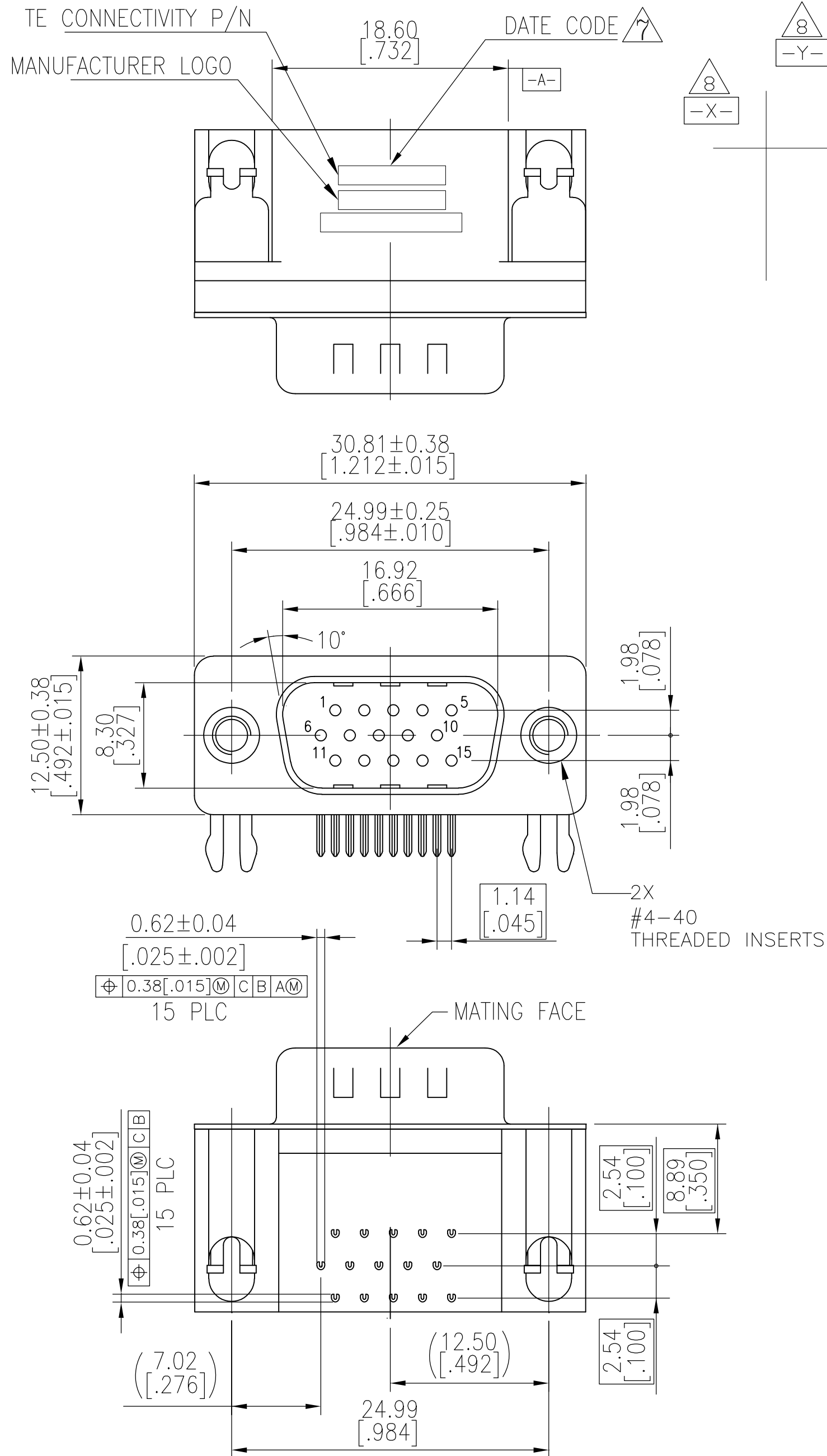
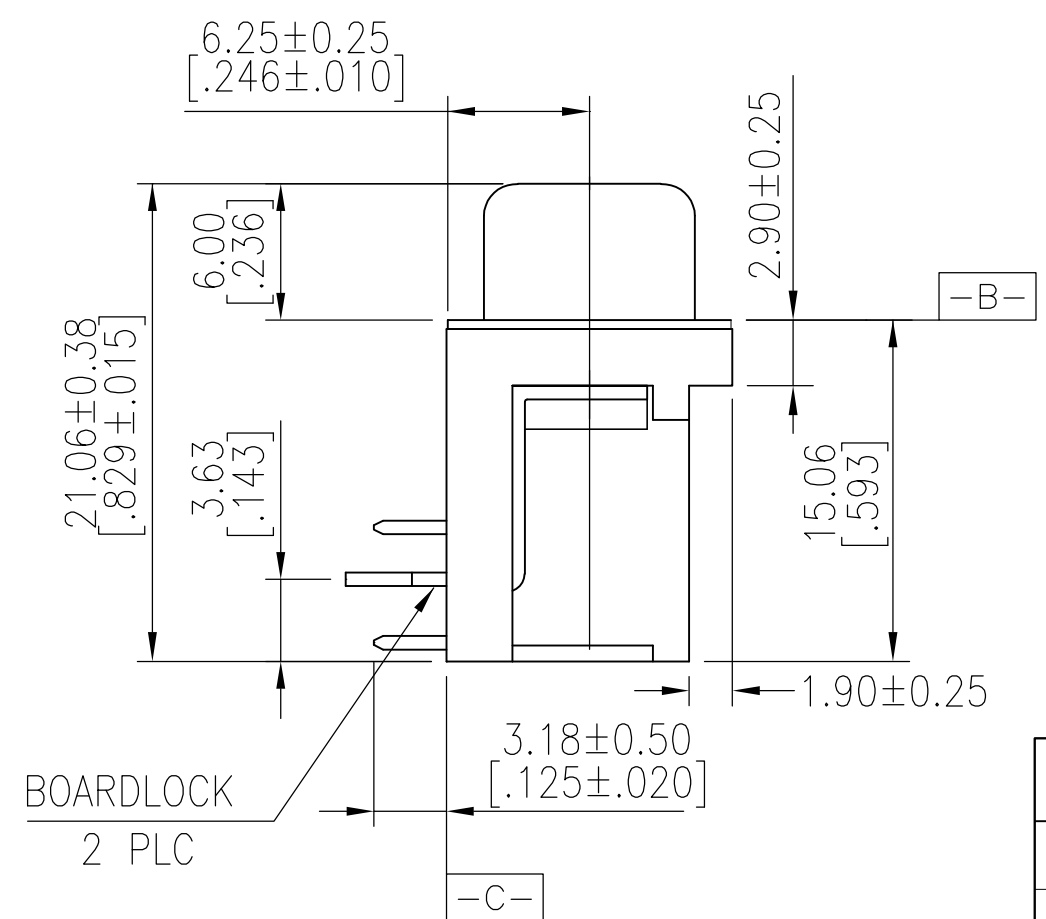


REVISIONS					
P	LTR	DESCRIPTION	DATE	DWN	APVD
F		REVISED PER ECO-17-013750	16FEB2018	AP	DG



RECOMMENDED PCB LAYOUT



1. HOUSING MATERIAL: PBT, GLASS FILLED, BLACK, UL 94V-0 RATED.
2. CONTACT MATERIAL: BRASS.
3. CONTACT FINISH: GOLD PLATE IN MATING AREA (SEE TABLE), 120 μ MIN TIN PLATE ON SOLDER TAIL, BOTH OVER 50 μ MIN NICKEL UNDERPLATE.
4. SHELL: STEEL, NICKEL PLATE.
5. BOARDLOCK: BRASS, 100 μ MIN TIN PLATE.
6. THREADED INSERTS: BRASS, NICKEL PLATE.

$\triangle 7$ FOUR DIGIT DATE CODE IN THIS FORMAT.

Year $\frac{01}{45}$ Manufacturing Week

$\triangle 8$ DATUMS $-X-$ & $-Y-$ TO BE ESTABLISHED BY CUSTOMER.

OBSELETE	Gold Flash	5749767-3
OBSELETE	15 μ MIN	5749767-2
SUPERSEDED BY 2311774-1	30 μ MIN	5749767-1
	CONTACT MATING AREA FINISH	PART NUMBER

THIS DRAWING IS A CONTROLLED DOCUMENT.		DWN J.GERACE 22FEB06	TE Connectivity	
DIMENSIONS: mm [INCHES]		CHK S.BOLASH 22FEB06	NAME	
TOLERANCES UNLESS OTHERWISE SPECIFIED:		APVD M.WALMSLEY 22FEB06	AMPLIMITE HD-22	
0 PLC \pm -		PRODUCT SPEC	15 POS PLUG, RIGHT ANGLE	
1 PLC \pm 0.38 [.015]		APPLICATION SPEC	SIZE CAGE CODE DRAWING NO RESTRICTED TO	
2 PLC \pm 0.25 [.010]		108-1092	A2 00779 C=5749767	
3 PLC \pm 0.15 [.006]		114-13198	SCALE 3:1 SHEET 1 OF 1 REV F	
4 PLC \pm -		WEIGHT 0		
ANGLES \pm 2'		CUSTOMER DRAWING		
FINISH				
SEE NOTES				