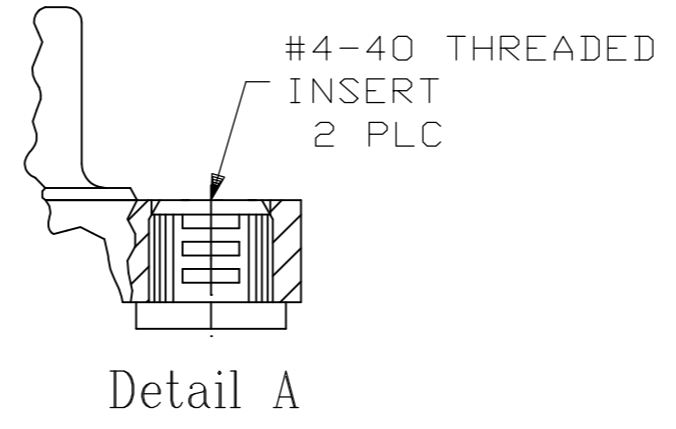
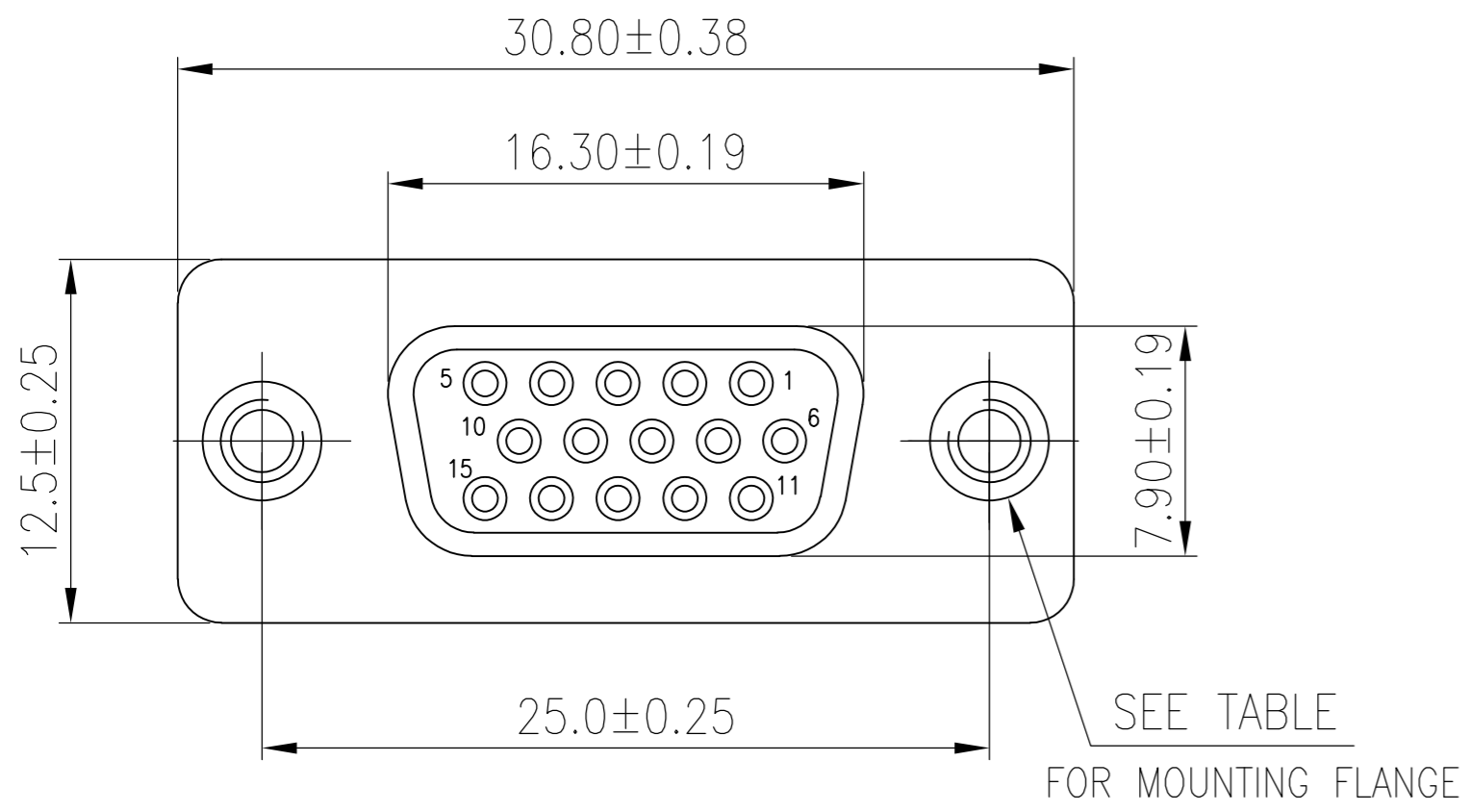
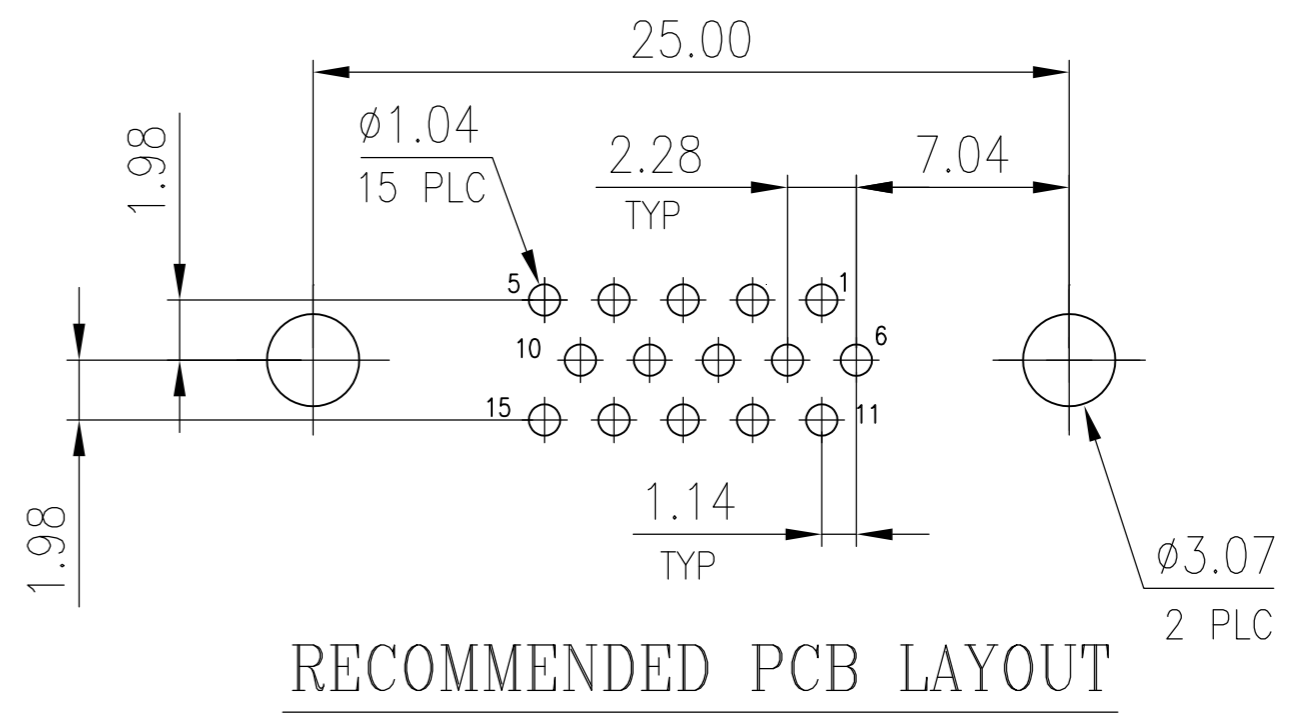
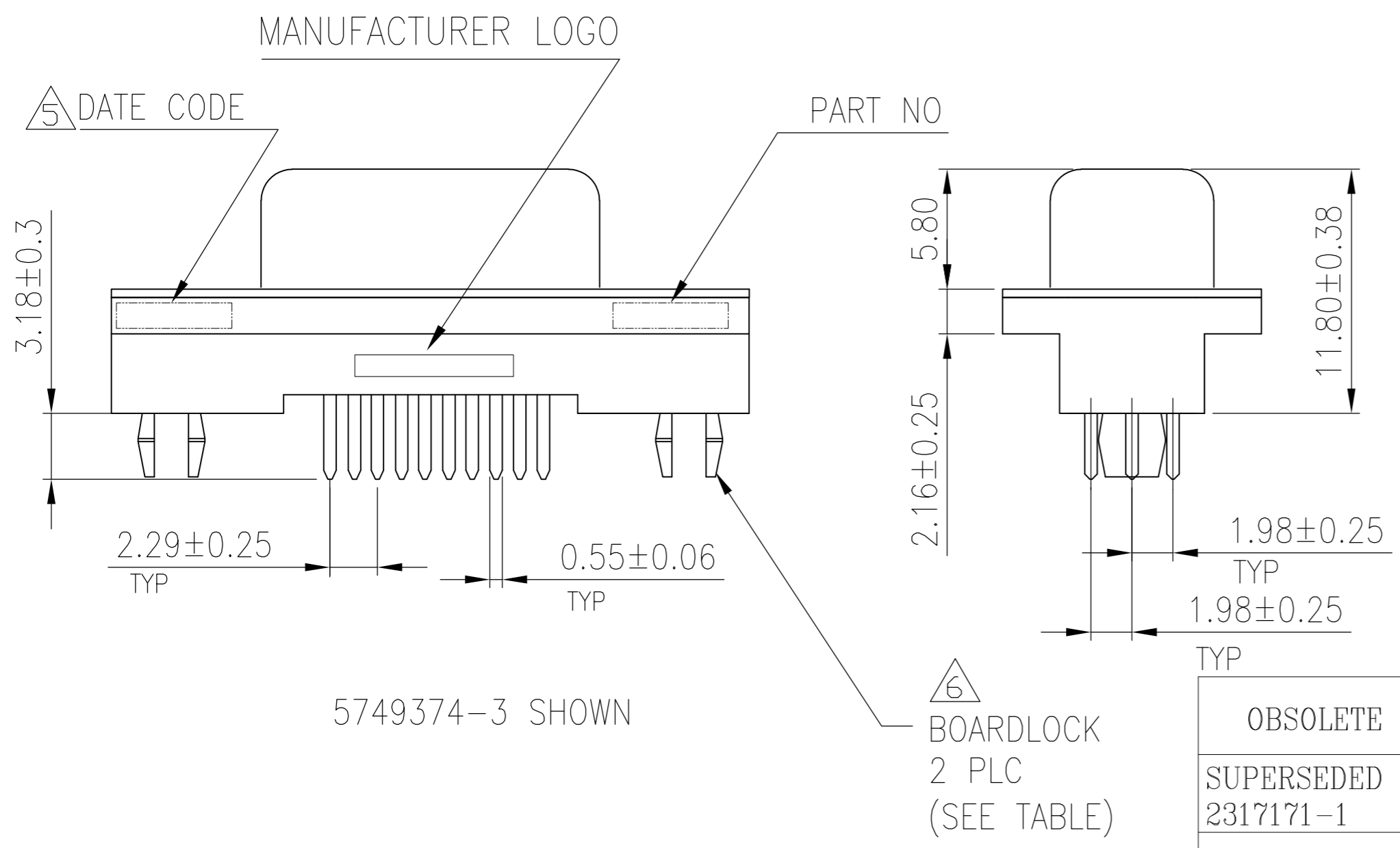


REVISIONS					
P	LTR	DESCRIPTION	DATE	DWN	APVD
E		REVISED PER ECO-17-013750	16FEB2018	AP	DG



- HOUSING: PBT, 30% GF POLYESTER, UL 94V-0 RATED, COLOR BLACK.
  - CONTACTS: PHOSPHOR BRONZE, GOLD PLATE IN MATING AREA (SEE TABLE), 120μ" MIN TIN PLATE ON SOLDER TAIL, BOTH OVER 50μ" MIN NICKEL UNDERPLATE.
  - SHELL: STEEL, NICKEL PLATE.
  - THREADED INSERTS AND BOARDLOCKS: BRASS, 30μ" MIN NICKEL PLATE (-1 & -7); 100μ" MIN TIN PLATE OVER 50μ" MIN NICKEL UNDERPLATE (-3).
- △5 FOUR DIGIT DATE CODE IN THIS FORMAT.  
 01 45  
 YEAR                      MANUFACTURING WEEK
- △6 MAXIMUM SHAFT LENGTH OF SCREWLOCK TO ALLOW THE SCREWLOCK HEAD TO SIT FLAT ON S-SUB IS 4.70. RECOMMENDED TE CONNECTIVITY SCREWLOCK IS 5747877-3.



OBSOLETE	No	Tray	Detail A	15 μ" MIN GOLD	5749374-7
SUPERSEDED BY 2317171-1	Yes	Tray	Detail A	30 μ" MIN GOLD	△6 5749374-3
OBSOLETE	No	Tray	Detail A	30 μ" MIN GOLD	5749374-1
BOARDLOCK		Packaging	Mounting Flange Config	Contact Mating Area Finish	Part No

THIS DRAWING IS A CONTROLLED DOCUMENT.		DWN R.RICHARDSON 31MAY05	TE Connectivity AMPLIMITE HD-22 15 POS RECEPTACLE, VERTICAL		
DIMENSIONS: mm		CHK S.BOLASH 31MAY05			
TOLERANCES UNLESS OTHERWISE SPECIFIED:		APVD M.WALMSLEY 31MAY05	NAME		
0 PLC ± -		PRODUCT SPEC	108-1092		
1 PLC ± 0.30		APPLICATION SPEC	114-13199		
2 PLC ± 0.20		WEIGHT	0		
3 PLC ± 0.10		CUSTOMER DRAWING	SCALE 1:1 SHEET 1 OF 1 REV E		
4 PLC ± -					
ANGLES ± 2°					
FINISH					