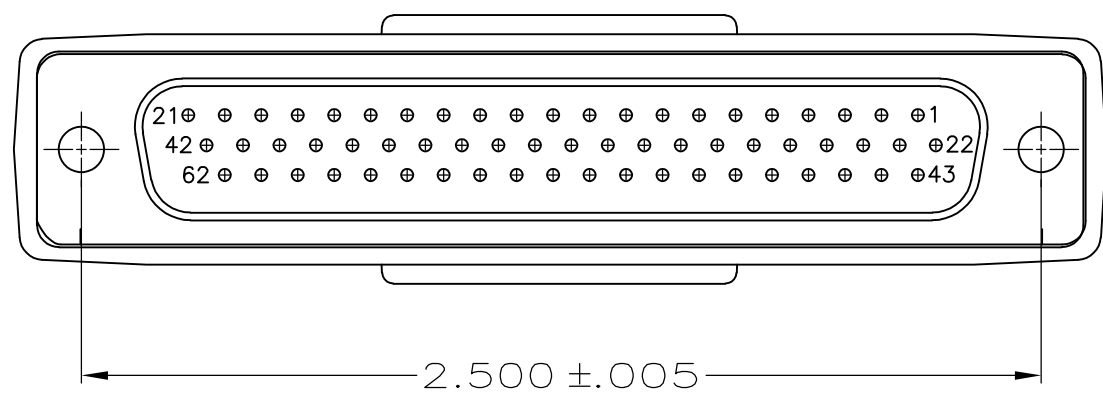
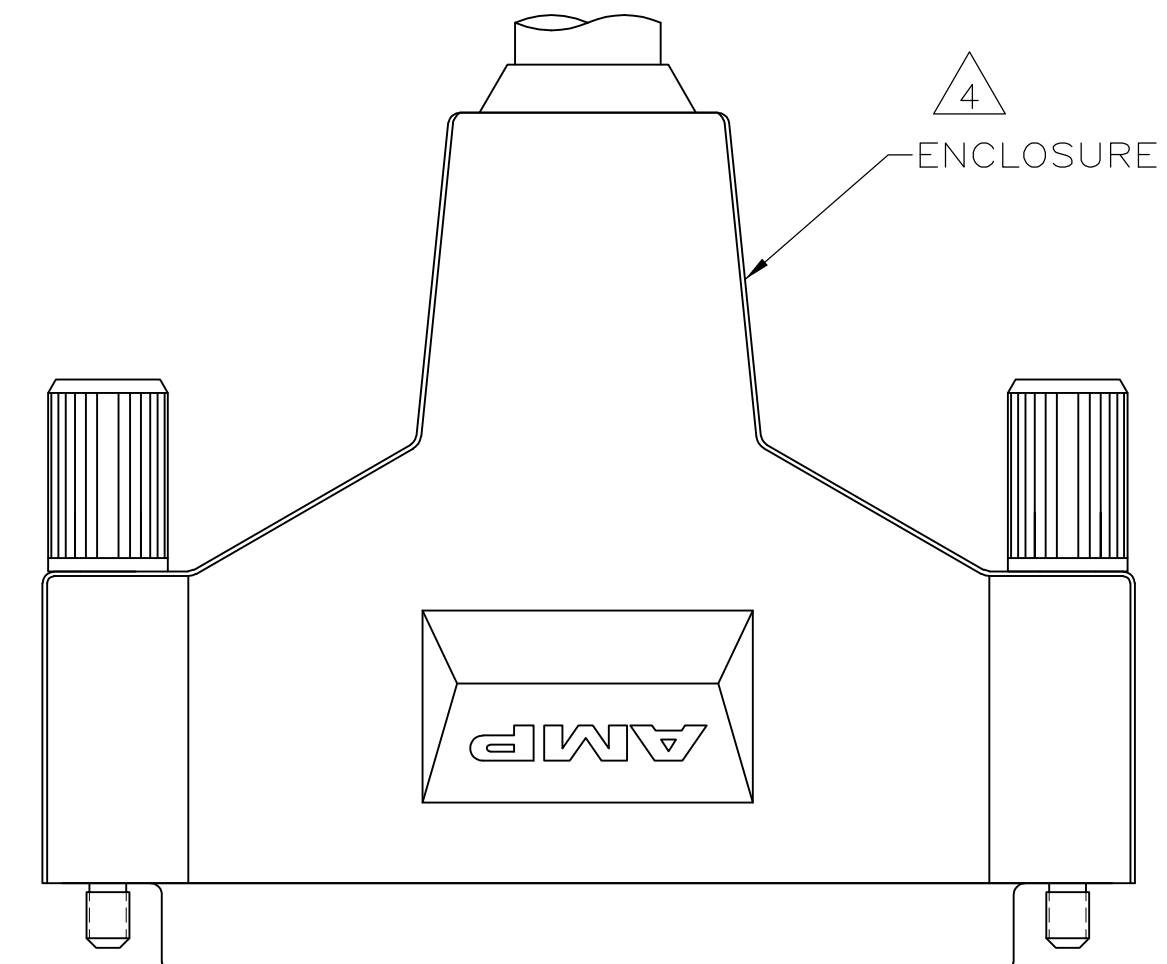
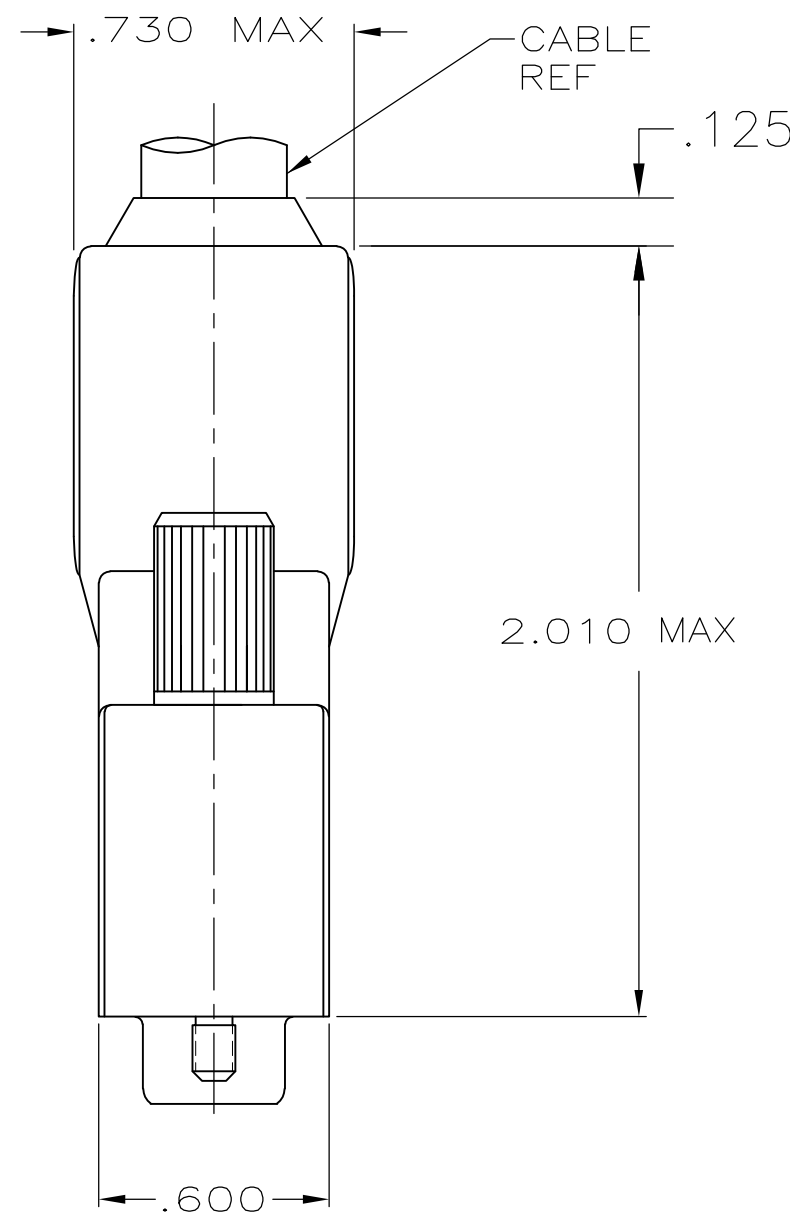
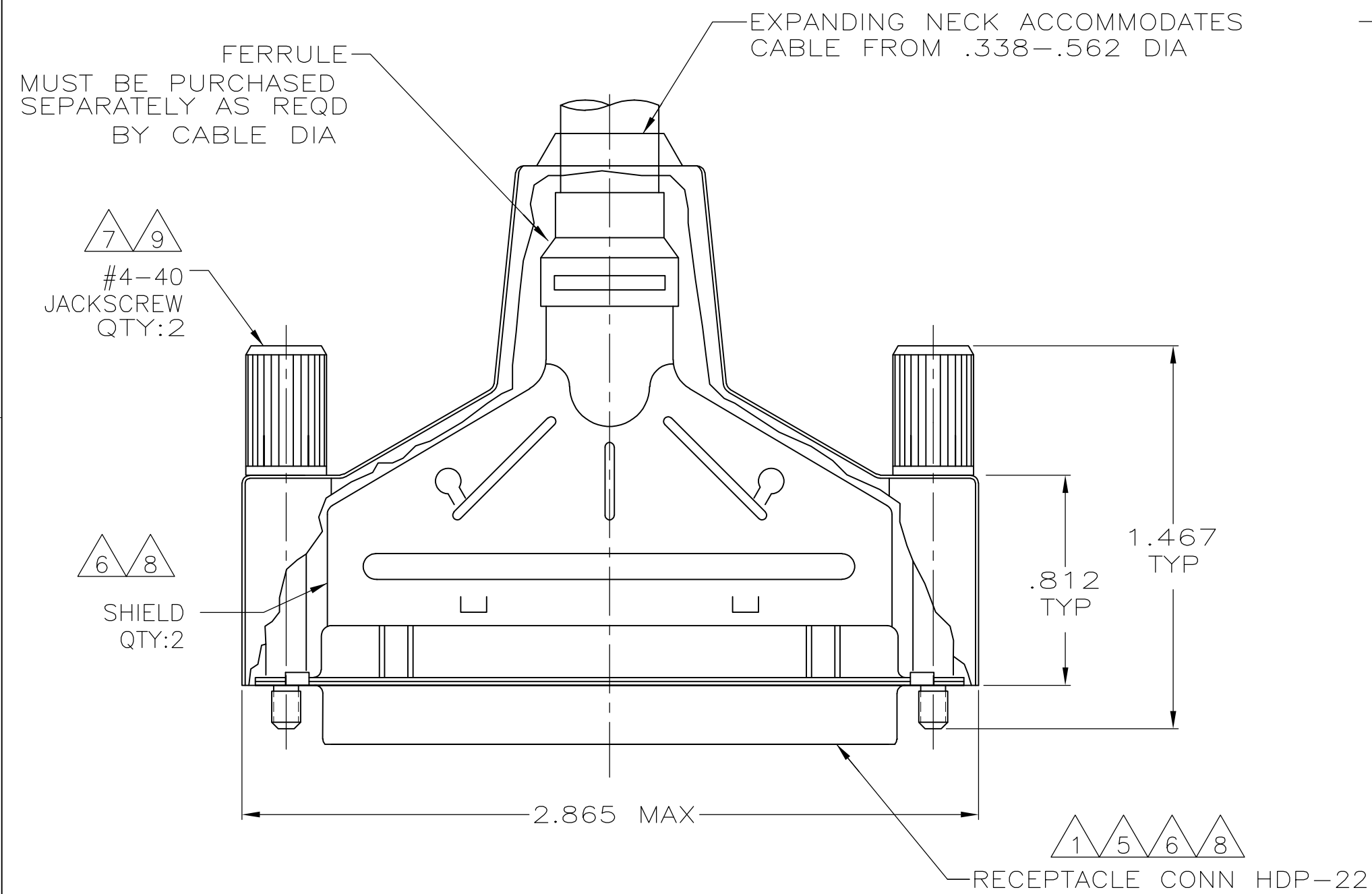


THIS DRAWING IS UNPUBLISHED. RELEASED FOR PUBLICATION
 © COPYRIGHT - By - ALL RIGHTS RESERVED.

REVISIONS				
P	LTR	DESCRIPTION	DATE	APVD
D		REVISED PER ECO-17-002903	20MAR2017	AP DG

- 1 RECEPTACLE ACCEPTS SIZE 22 DF SOCKET CONTACTS. CONTACTS MUST BE PURCHASED SEPARATELY.
- 2 ALL PARTS SHIPPED UNASSEMBLED.
- 3 COMPONENTS INDIVIDUALLY BULK PACKAGED.
- 4 ELASTOMER, STYRENE POLYOLEFIN OR PVC, COLOR BLACK.
- 5 FLAME RETARDANT GLASS FILLED, 94V-0 RATED, COLOR BLACK.

- 6 CARBON STEEL PER ASTM A109.
- 7 CARBON STEEL, C1022.
- 8 .000200 MIN TIN PLATE OVER .000100 MIN COPPER UNDERPLATE.
- 9 BLACK ZINC FLAKE COATING.



3	W/ LOGOS	5748642-1
PACKAGING	REMARKS	PART NUMBER

THIS DRAWING IS A CONTROLLED DOCUMENT.		DWN 12-21-04 L. VARELA - DOCK5	TE TE Connectivity	
DIMENSIONS: INCHES		CHK 12-21-04 J. GERACE		
TOLERANCES UNLESS OTHERWISE SPECIFIED:		APVD 12-21-04 M. WALMSLEY	NAME 6	
0 PLC ± -	1 PLC ± -	PRODUCT SPEC 108-40005 & 108-40030	SIZE 4, 62 POSITION, AMPLIMITE, HDP-22	
2 PLC ± -	3 PLC ± .020	APPLICATION SPEC 114-40030	SIZE A2	CAGE CODE 00779
4 PLC ± -	ANGLES ± -	WEIGHT 0.000000	DRAWING NO C=5748642	RESTRICTED TO -
MATERIAL 4 5 6 7	FINISH 8 9	CUSTOMER DRAWING	SCALE 2:1	SHEET 1 of 1