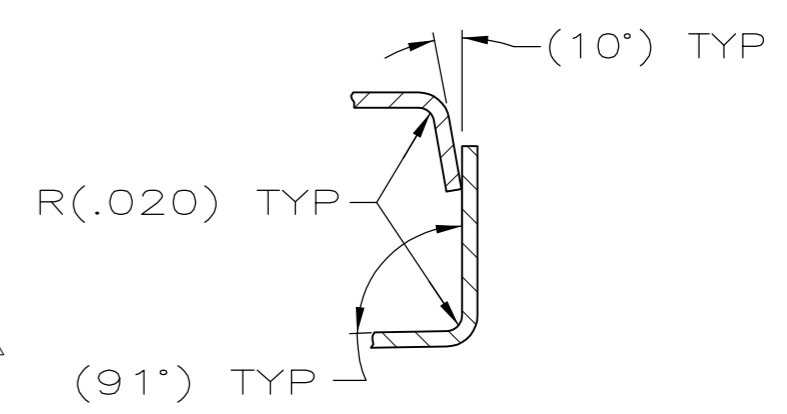
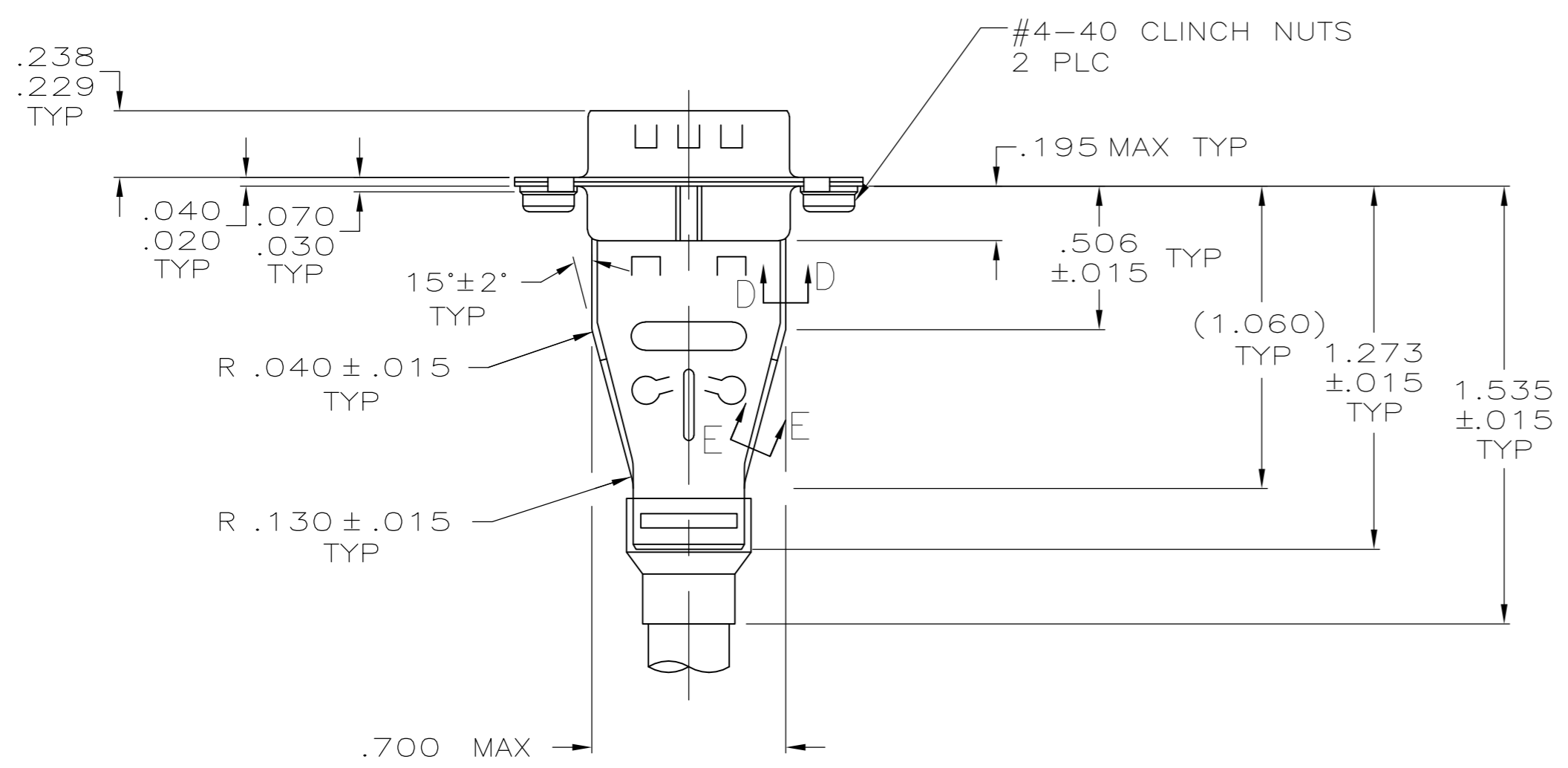
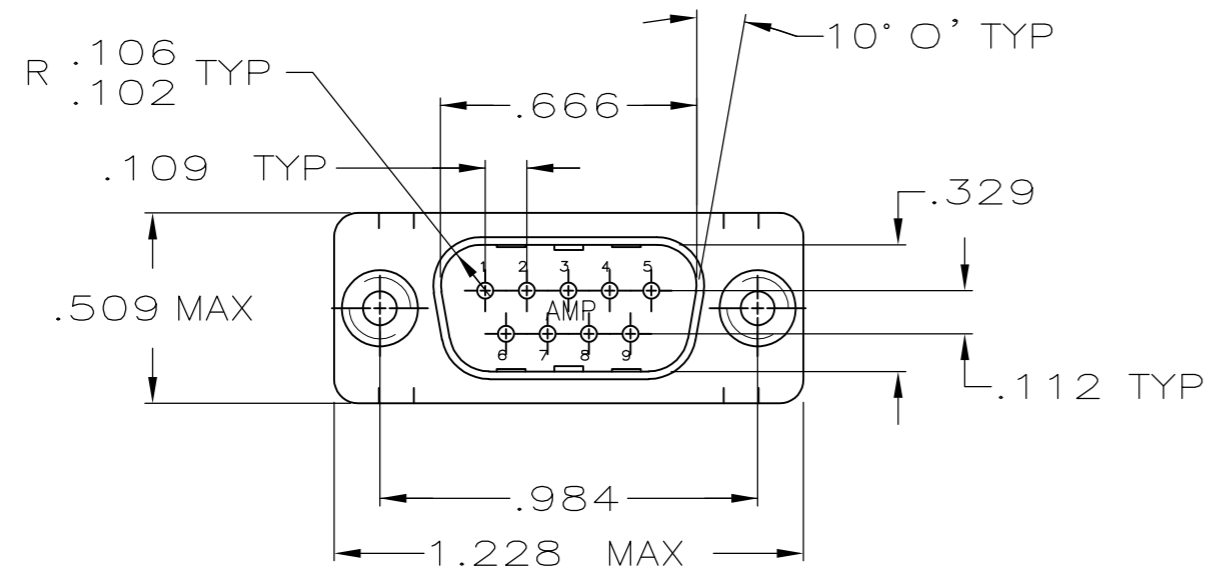
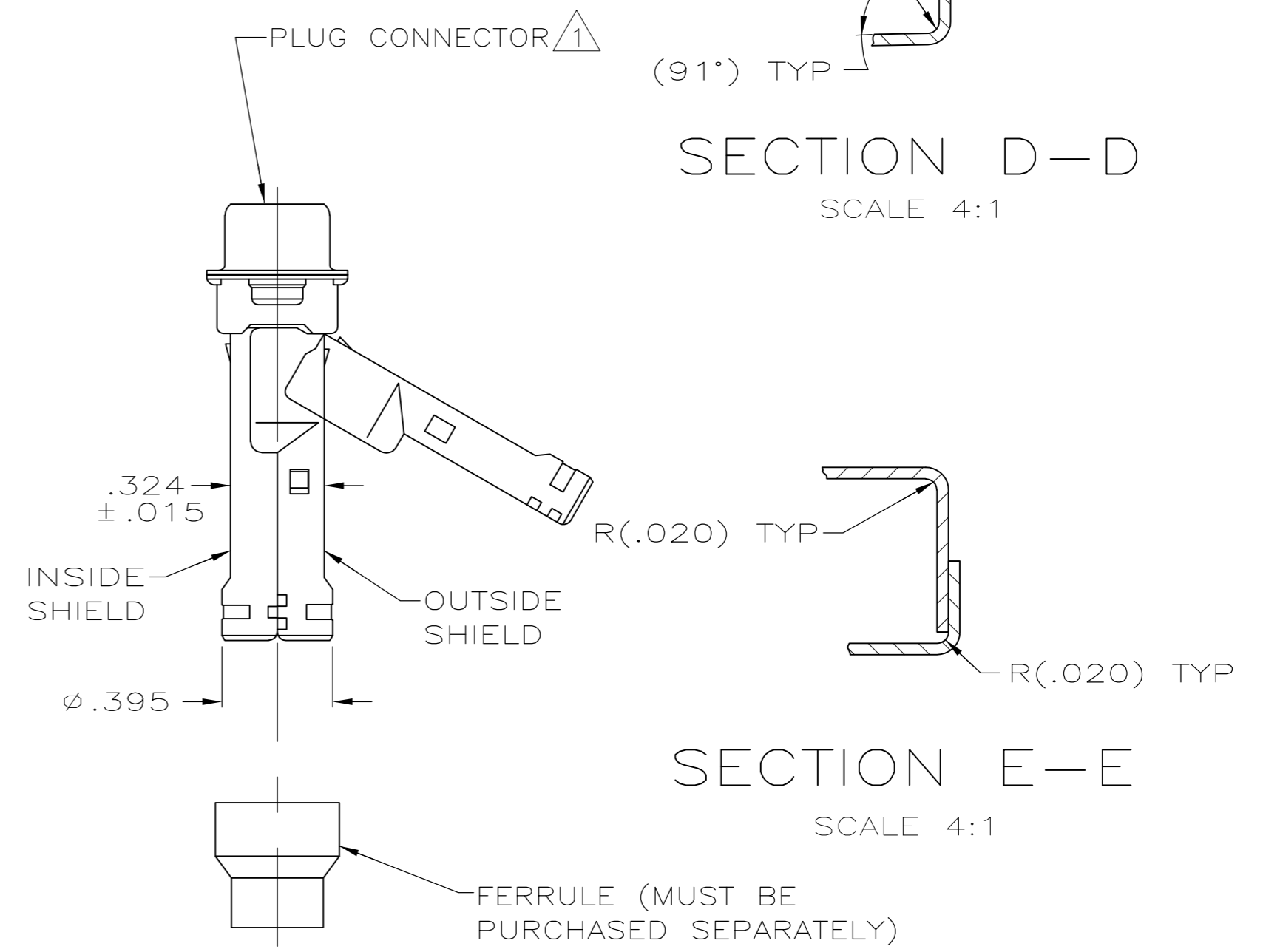


THIS DRAWING IS UNPUBLISHED. RELEASED FOR PUBLICATION
 © COPYRIGHT - By - ALL RIGHTS RESERVED.

REVISIONS				
P	LTR	DESCRIPTION	DATE	APVD
R		REVISED PER ECO-17-003325	20APR2017	AP DG



SECTION D-D
SCALE 4:1



SECTION E-E
SCALE 4:1

- ① PLUG ACCEPTS SIZE 20 PIN CONTACTS (CONTACTS MUST BE ORDERED SEPARATELY).
- 2. ALL PARTS SHIPPED UNASSEMBLED, EACH PART INDIVIDUALLY BULK PACKED.
- ③ INSERT: FLAME RETARDANT, 94V-0 RATED, GLASS FILLED NYLON OR POLYESTER, BLACK.
- ④ SHELLS: .000200 MIN TIN PLATE OVER .000100 MIN COPPER UNDERPLATE.
- ⑤ SHELLS: STEEL PER ASTM A109.
- ⑥ SHIELDS: STAINLESS STEEL.

5748526-1
PART NUMBER

THIS DRAWING IS A CONTROLLED DOCUMENT.		DWN 11-11-04 G. ATTADIA - DOCK5 CH08-40005 & 108H40030 J. GERACE	TE Connectivity	
DIMENSIONS: INCHES	TOLERANCES UNLESS OTHERWISE SPECIFIED:	APVD 11-11-04 M. WALMSLEY	NAME KIT, PLUG, SHIELDING HARDWARE, 9 POSN, SIZE 1, W/CLINCH NUTS, AMPLIMITE HDP-20	
	0 PLC ± - 1 PLC ± - 2 PLC ± - 3 PLC ± .005 4 PLC ± - ANGLES ± 0° 30'	PRODUCT SPEC	SIZE A2	CAGE CODE 00779
MATERIAL	FINISH	APPLICATION SPEC 114-40030	DRAWING NO C=5748526	RESTRICTED TO -
③ ⑤ ⑥	④	WEIGHT 0.000000	SCALE 2:1	SHEET 1 of 1
CUSTOMER DRAWING			REV R	