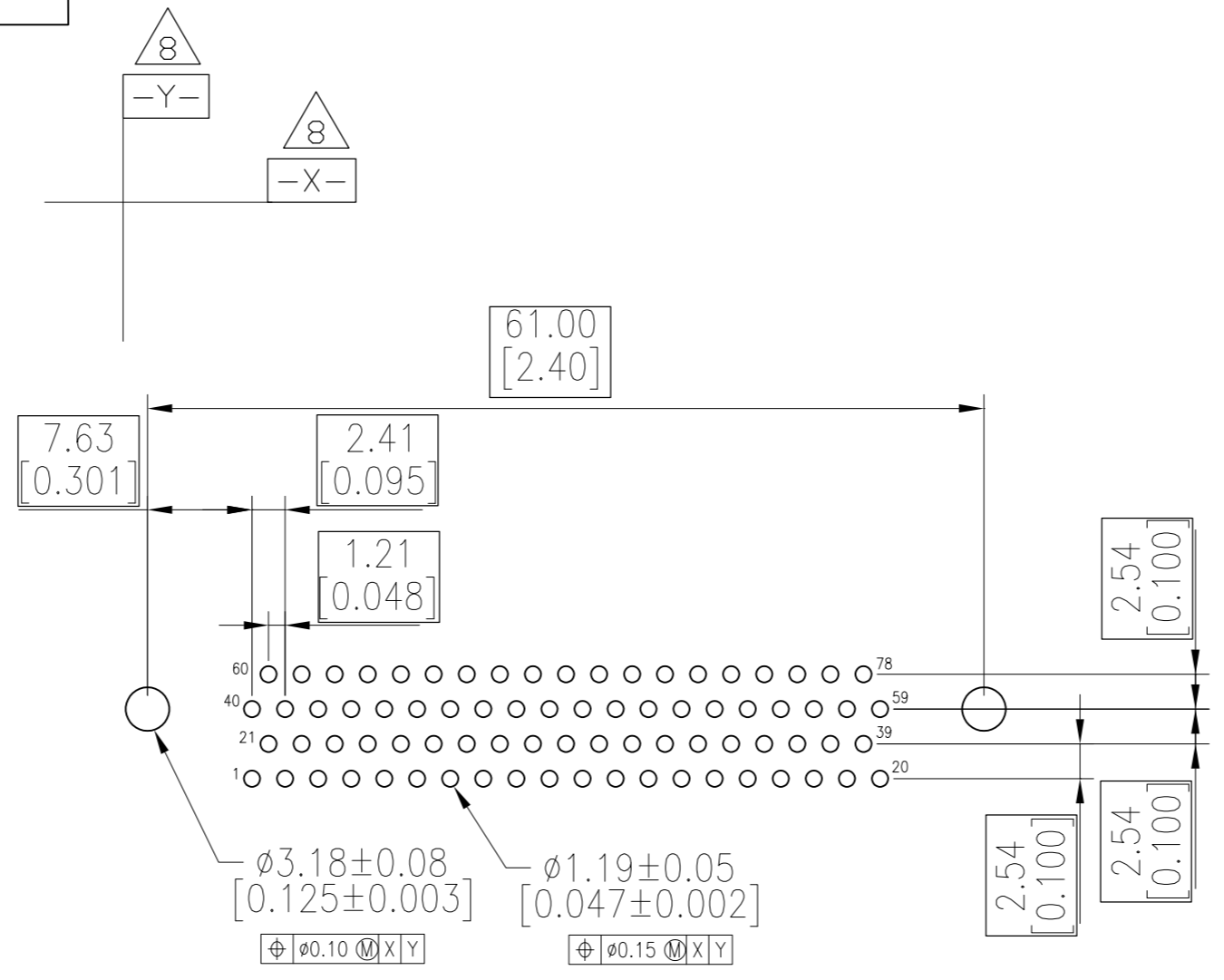
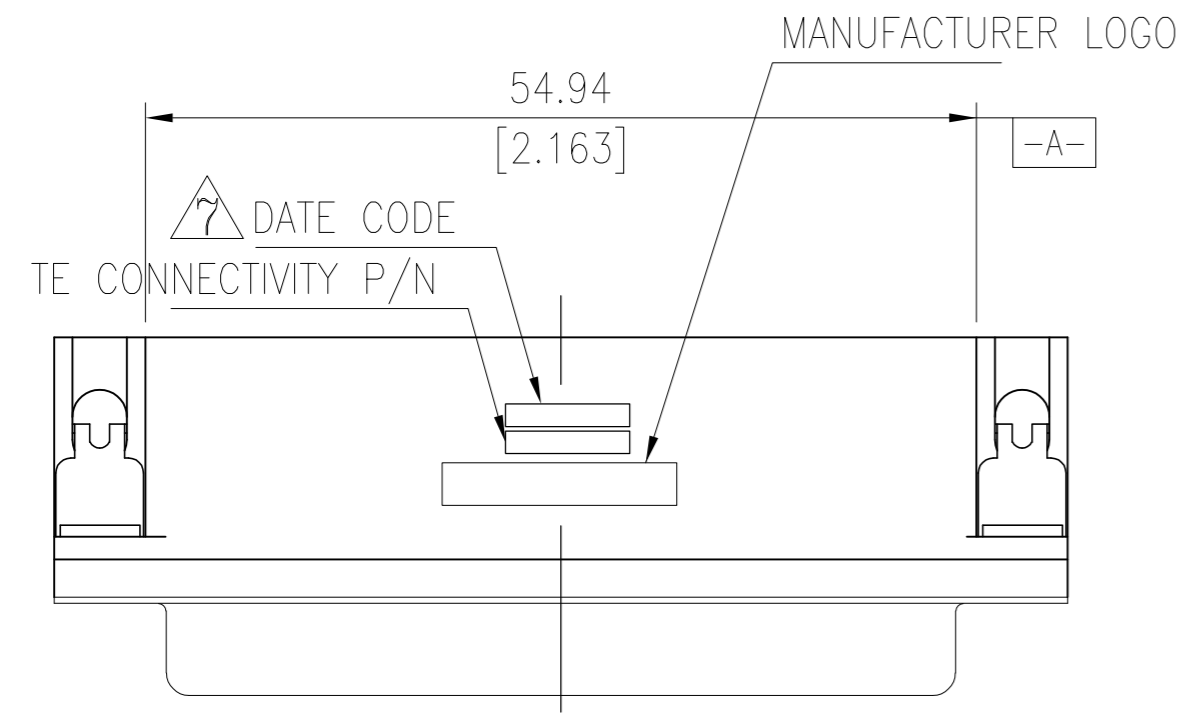


THIS DRAWING IS UNPUBLISHED. RELEASED FOR PUBLICATION
 © COPYRIGHT - By - ALL RIGHTS RESERVED.

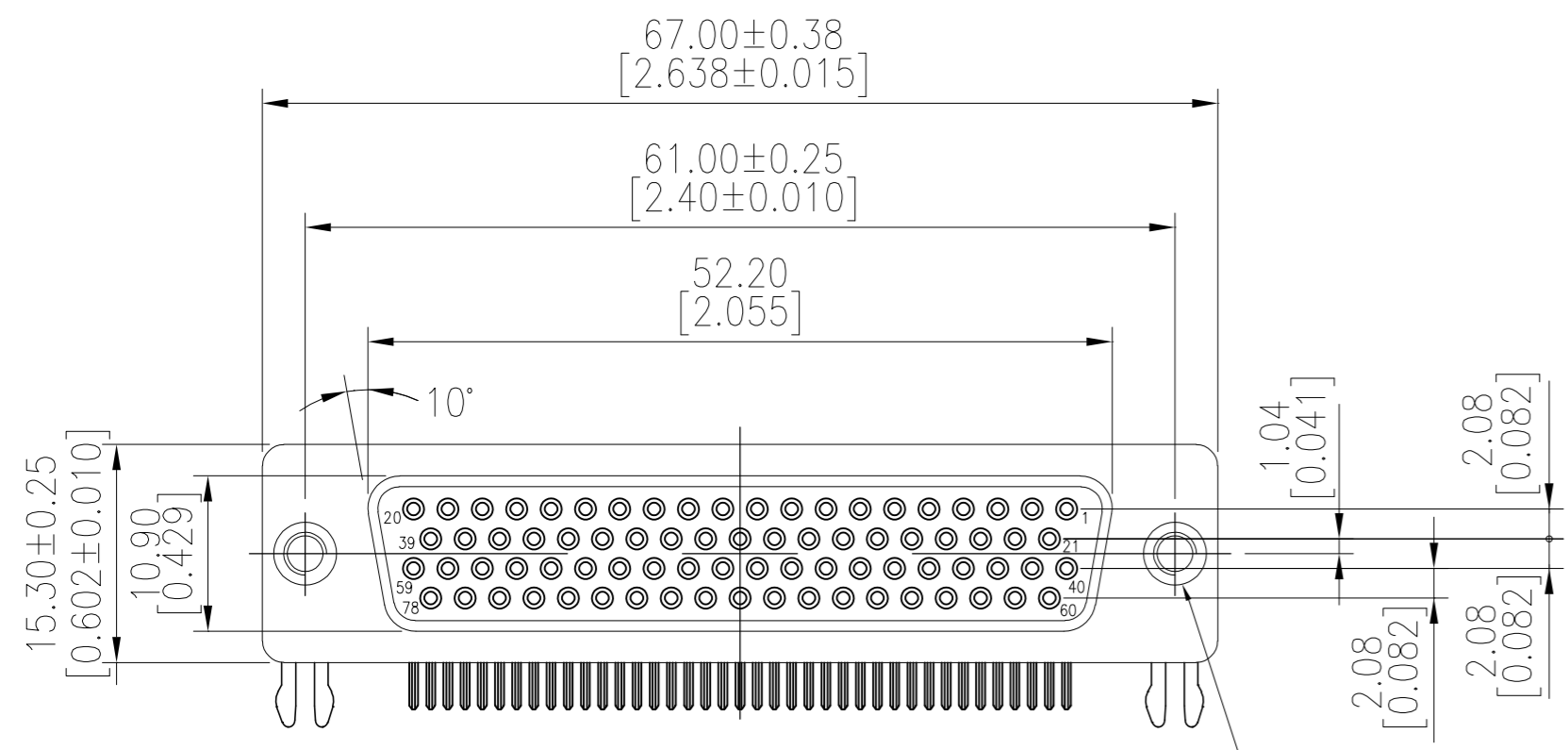
LOC		DIST		REVISIONS				
P	LTR	DESCRIPTION	DATE	DWN	APVD			
C		REVISED PER ECO-17-013750	16FEB2018	AP	DG			



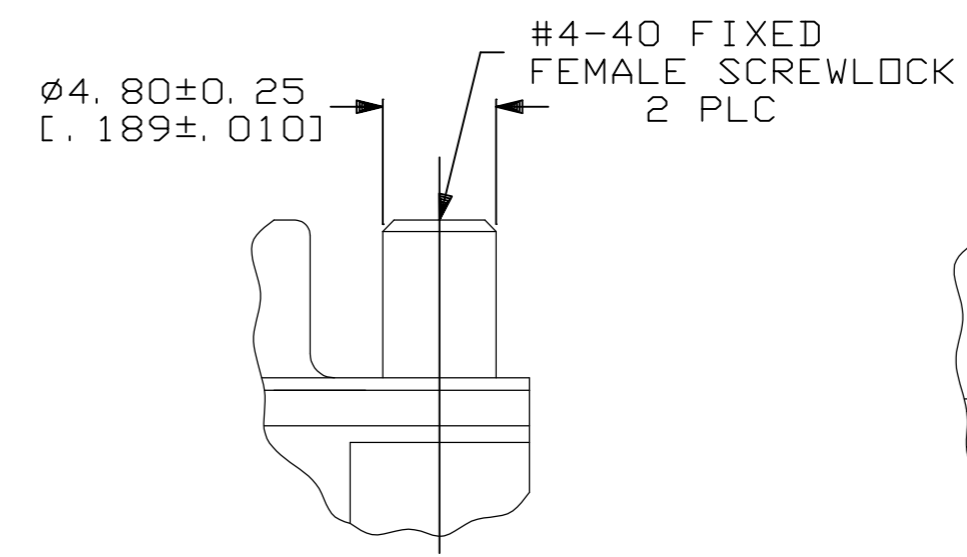
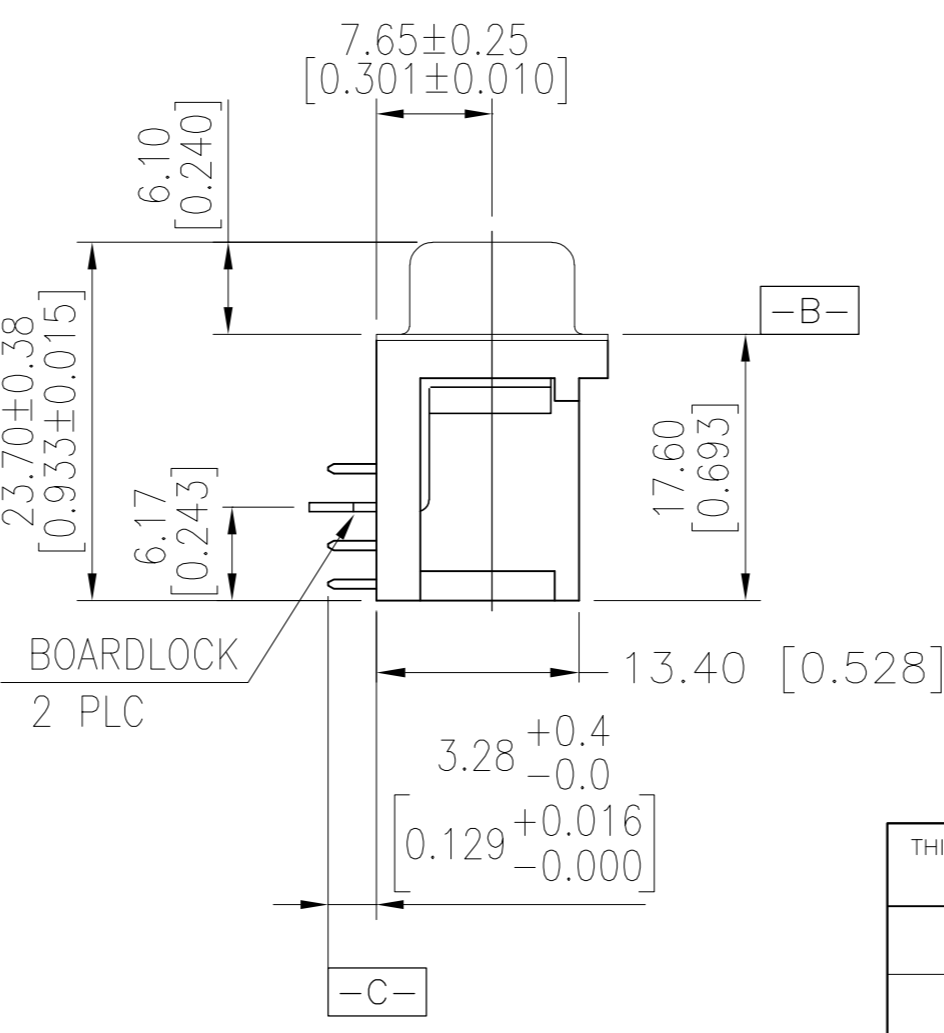
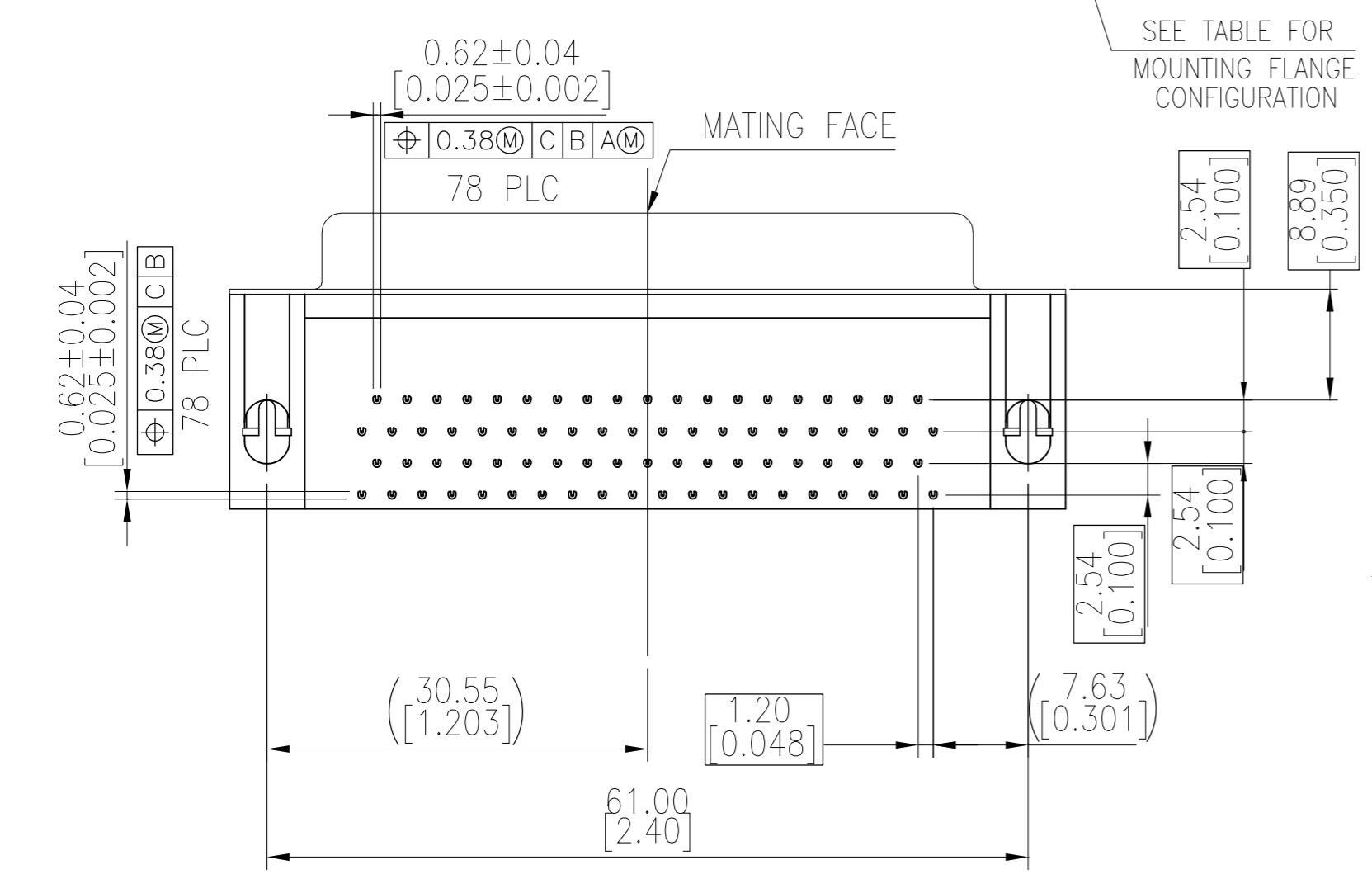
- HOUSING MATERIAL: PBT, GLASS FILLED, BLACK, UL 94V-0 RATED.
- CONTACT MATERIAL: PHOSPHOR BRONZE.
- CONTACT FINISH: GOLD PLATE IN MATING AREA (SEE TABLE), 120μ" MIN TIN PLATE ON SOLDER TAIL, BOTH OVER 50μ" MIN NICKEL UNDERPLATE.
- SHELL: STEEL, NICKEL PLATE.
- BOARDLOCK: BRASS, 100μ" MIN TIN PLATE.
- FEMALE SCREWLOCKS/ THREADED INSERTS: BRASS, NICKEL PLATE.

△ FOUR DIGIT DATE CODE IN THIS FORMAT.
 Year 01 45 Manufacturing Week

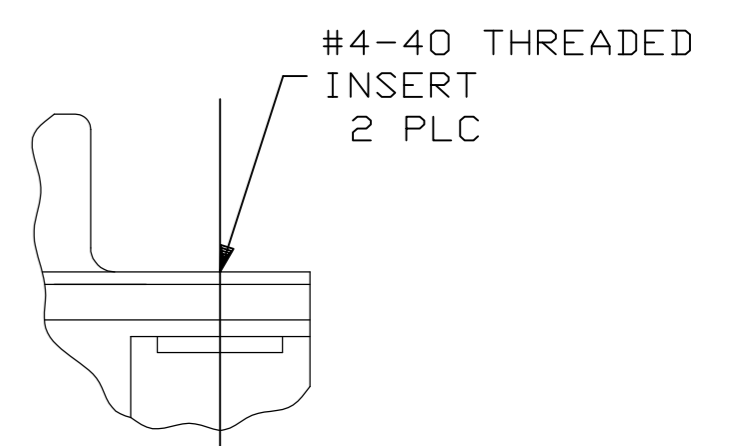
△ DATUMS [-X-] & [-Y-] TO BE ESTABLISHED BY CUSTOMER.



RECOMMENDED PCB LAYOUT



Detail A



Detail B

OBSOLETE	Tray	Detail A	15μ" MIN	2-5748483-2
OBSOLETE	Tray	Detail B	Gold flash	2-5748483-1
OBSOLETE	Tray	Detail B	15μ" MIN	2-5748483-0
OBSOLETE	Tray	Detail A	30μ" MIN	5748483-6
OBSOLETE	Tray	Detail B	30μ" MIN	5748483-5
SUPERSEDED BY 2311772-1		Packaging	Mounting Flange Configuration	Contact Mating Area Finish
				Part NO.

5748483-5, 2--0, & 2--1 SHOWN

THIS DRAWING IS A CONTROLLED DOCUMENT.

DWN	B.MCMMASTER	21SEP05	TE Connectivity AMPLIMITE HD-22 78 POS RECEPTACLE, RIGHT ANGLE
CHK	S. BOLASH	21SEP05	
APVD	M. WALMSLEY	21SEP05	
PRODUCT SPEC			
APPLICATION SPEC			NAME
			SIZE
			CAGE CODE
			DRAWING NO
			RESTRICTED TO
			SCALE
			SHEET
			REV

MATERIAL: - FINISH: - WEIGHT: -
 CUSTOMER DRAWING SCALE: 4:1 SHEET: 1 of 1 REV: C