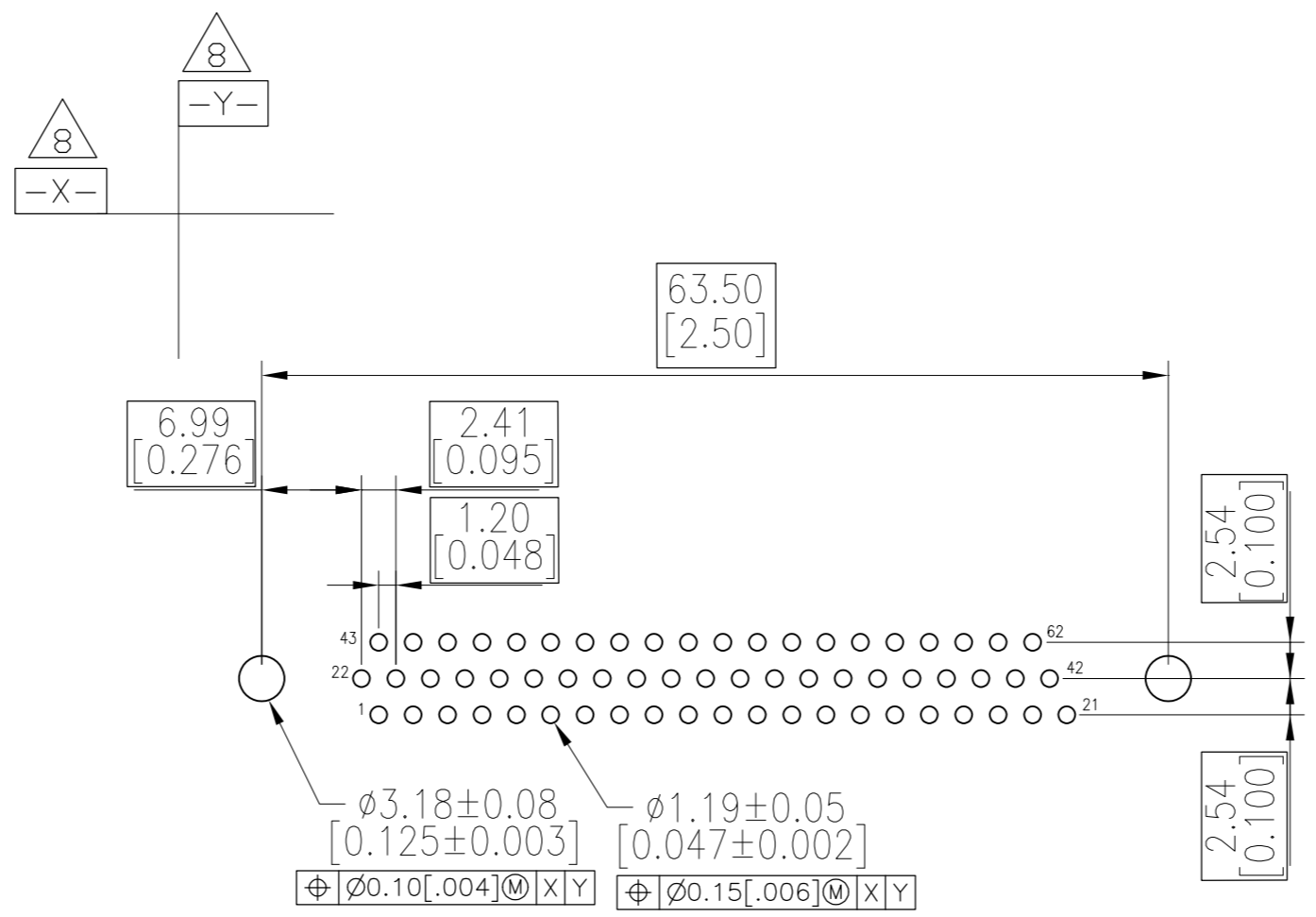
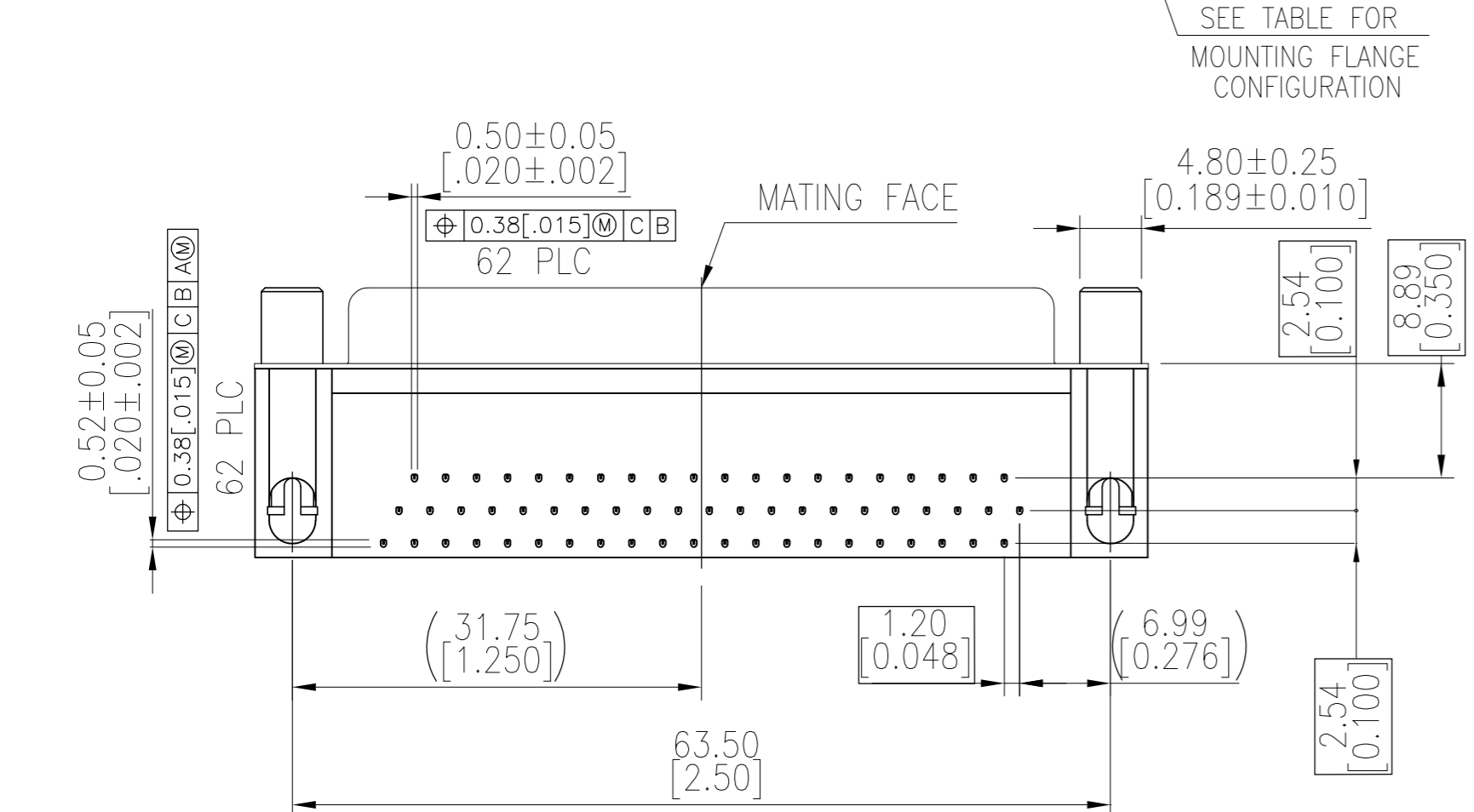
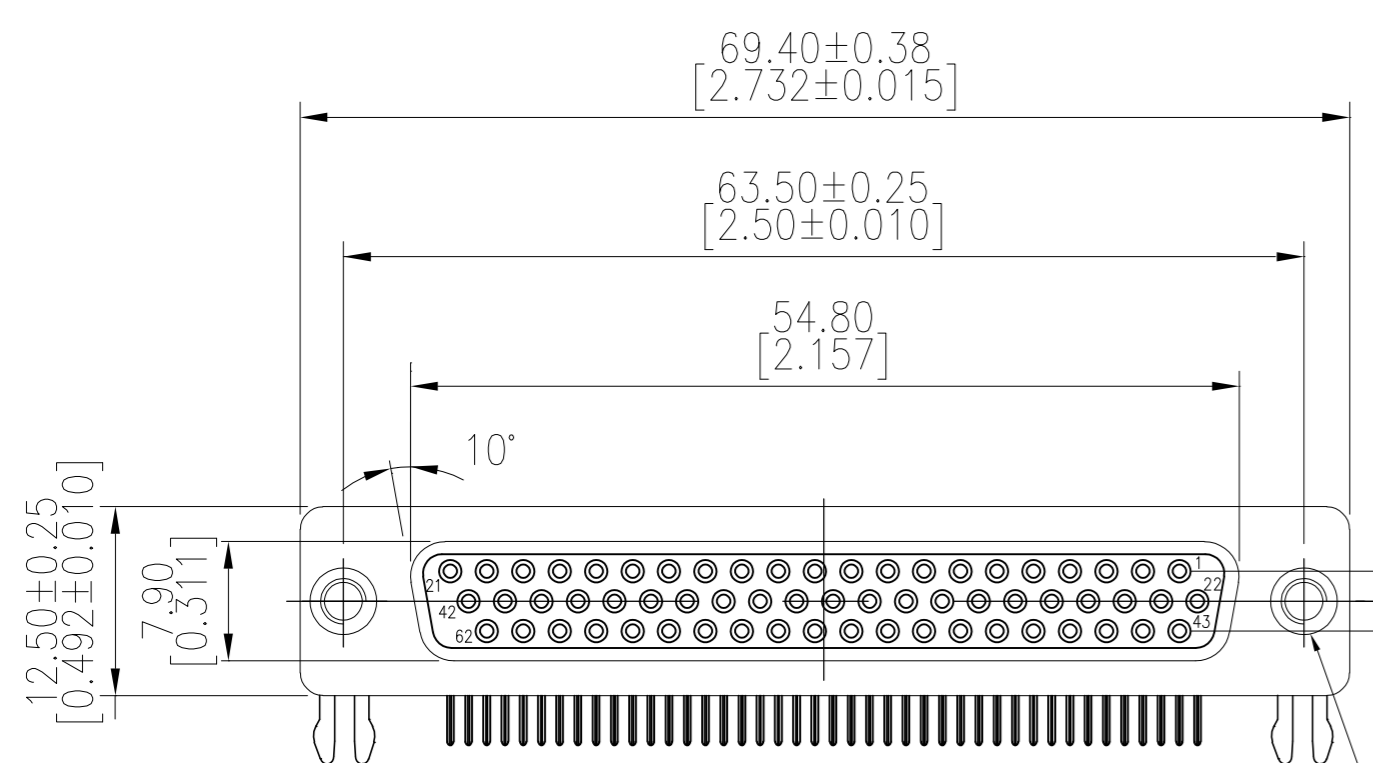
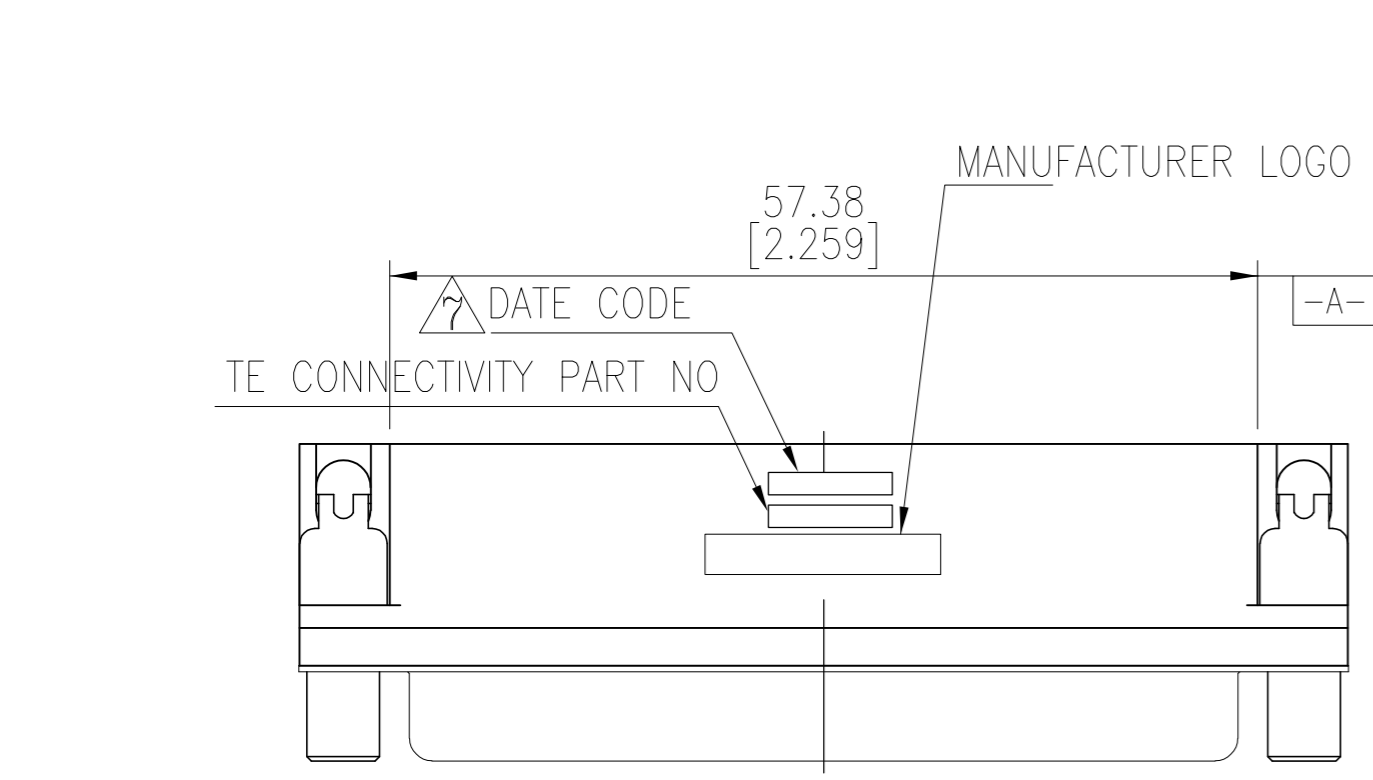


THIS DRAWING IS UNPUBLISHED. RELEASED FOR PUBLICATION  
 © COPYRIGHT - By - ALL RIGHTS RESERVED.

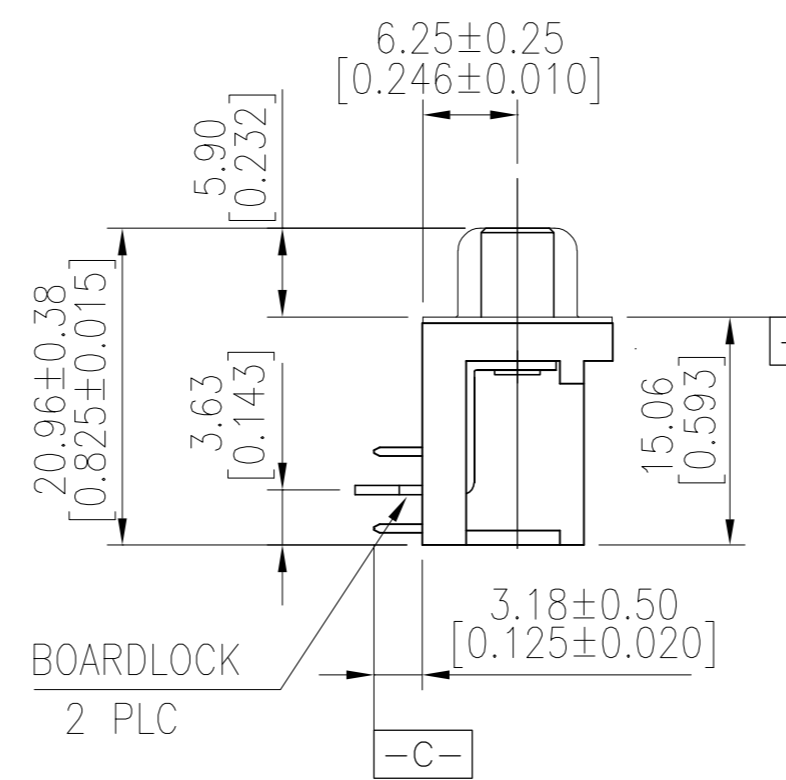
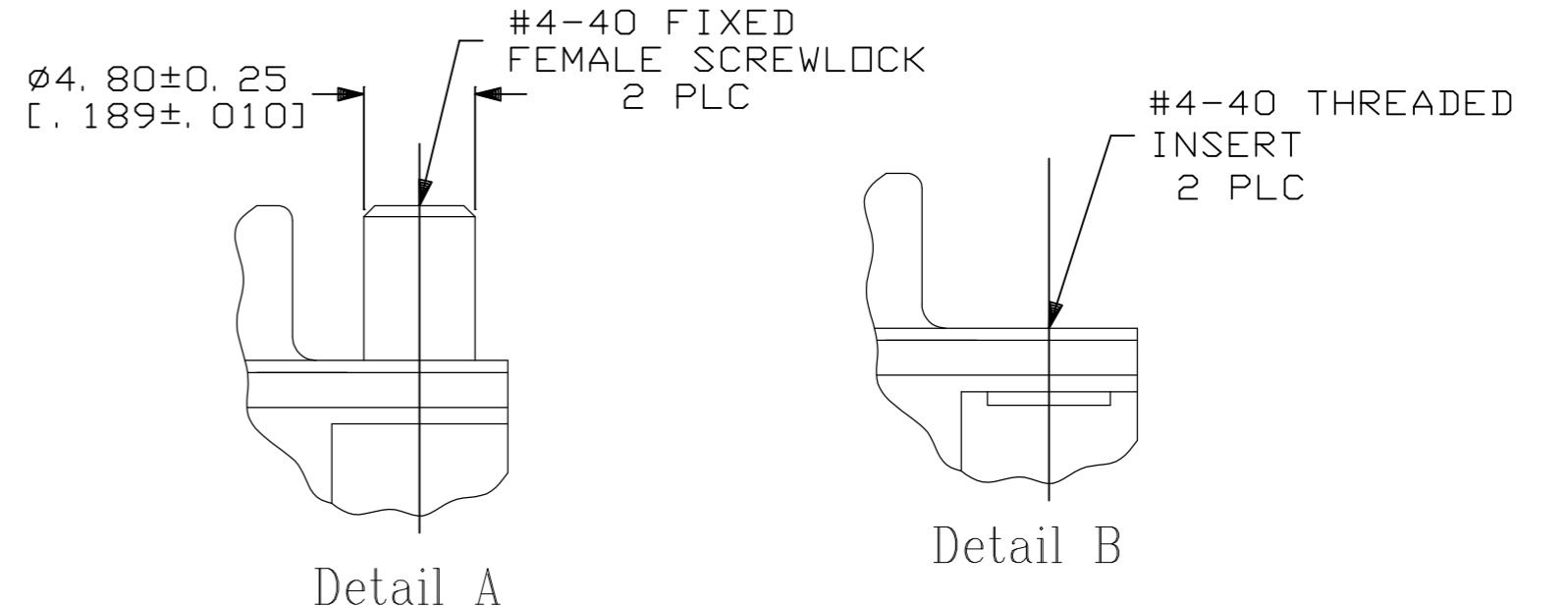
LOC		DIST		REVISIONS			
P	LTR	DESCRIPTION	DATE	DWN	APVD		
GP	00	C	REVISED PER ECO-17-013750	16FEB2018	AP	DG	



- HOUSING MATERIAL: PBT, GLASS FILLED, BLACK, UL 94V-0 RATED.
- CONTACT MATERIAL: PHOSPHOR BRONZE.
- CONTACT FINISH: GOLD PLATE IN MATING AREA (SEE TABLE), 120µ" MIN TIN PLATE ON SOLDER TAIL, BOTH OVER 50µ" MIN NICKEL UNDERPLATE.
- SHELL: STEEL, NICKEL PLATE.
- BOARDLOCK: BRASS, 100µ" MIN TIN PLATE.
- FEMALE SCREWLOCKS/ THREADED INSERTS: BRASS, NICKEL PLATE.

FOUR DIGIT DATE CODE IN THIS FORMAT.  
 Year 01 45 Manufacturing Week

DATUMS  $\square-X-$  &  $\square-Y-$  TO BE ESTABLISHED BY CUSTOMER.  
 OBSOLETE PARTS: OBSOLETE CIS STREAMLINING PER D.RENAUD/D.SINISI



Obsolescence	Part	Detail	Finish	Part NO.
OBSOLETE	Tray	Detail A	Gold flash	2-5748394-6
OBSOLETE	Tray	Detail A	15µ" MIN	2-5748394-5
OBSOLETE	Tray	Detail B	Gold flash	2-5748394-4
OBSOLETE	Tray	Detail B	15µ" MIN	2-5748394-3
OBSOLETE	Tray	Detail A	30µ" MIN	5748394-6
SUPERSEDED BY 2311771-1	Tray	Detail B	30µ" MIN	5748394-5

5748394-6, 2--5, & 2--6, SHOWN

THIS DRAWING IS A CONTROLLED DOCUMENT.

DWN B. MCMASTER 21SEP05	 TE Connectivity AMPLIMITE HD-22 62 POS RECEPTACLE, RIGHT ANGLE				
CHK S. BOLASH 21SEP05					
APVD M. WALMSLEY 21SEP05					
PRODUCT SPEC					
MATERIAL	WEIGHT	SIZE A2	CAGE CODE 00779	DRAWING NO C=5748394	RESTRICTED TO
CUSTOMER DRAWING		SCALE 2:1	SHEET 1 of 1	REV C	