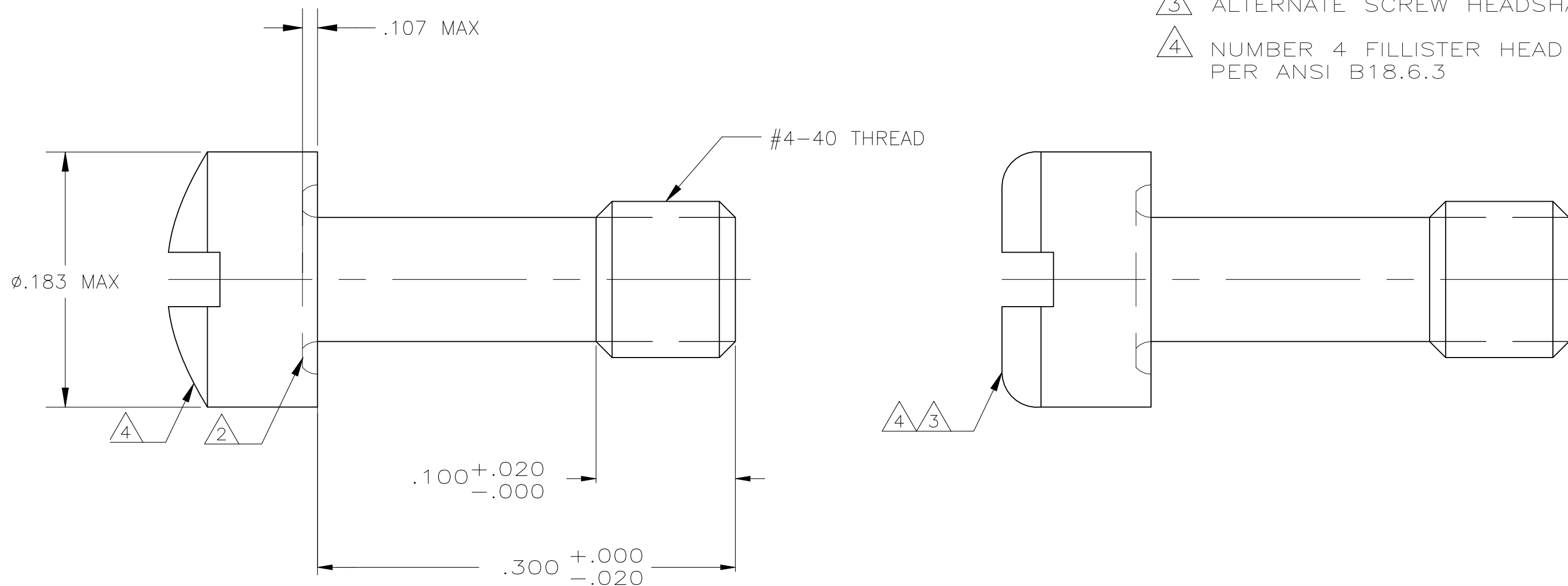

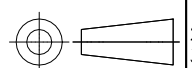


REVISIONS					
P	LTR	DESCRIPTION	DATE	DWN	APVD
	A1	ALTERNATE HEADSHAPE PER ECN-22-152322	05MAY2022	PT	SZ

- ① ZINC PLATED .000200-.000400 THICK, CLEAR CHROMATE COATING.
- ② UNDERCUT MAY OR MAY NOT BE PRESENT IN THIS AREA.
- ③ ALTERNATE SCREW HEADSHAPE
- ④ NUMBER 4 FILLISTER HEAD PER ANSI B18.6.3



5746879-1
PART NO

THIS DRAWING IS A CONTROLLED DOCUMENT.		DWN B. LATTUCA 08AUG05	 TE Connectivity				
DIMENSIONS: INCHES		CHK C. ROHDE 08AUG05					
TOLERANCES UNLESS OTHERWISE SPECIFIED:		APVD M. WALMSLEY 08AUG05	NAME SCREW, FILLISTER HEAD				
 0 PLC ± - 1 PLC ± - 2 PLC ± - 3 PLC ± - 4 PLC ± - ANGLES ± -		PRODUCT SPEC -	-				
MATERIAL STEEL		FINISH ①	APPLICATION SPEC -	SIZE A3	CAGE CODE 00779	DRAWING NO C-5746879	RESTRICTED TO -
CUSTOMER DRAWING			WEIGHT 0.000000	SCALE NTS	SHEET 1 OF 1	REV A1	