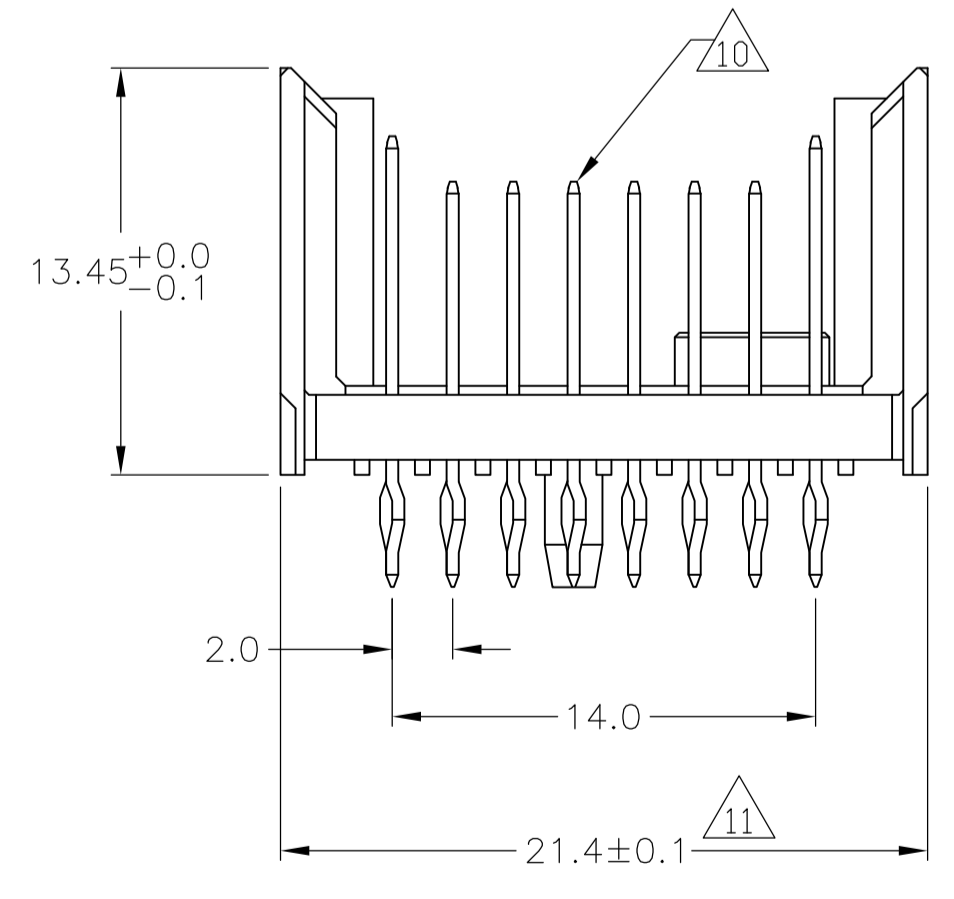
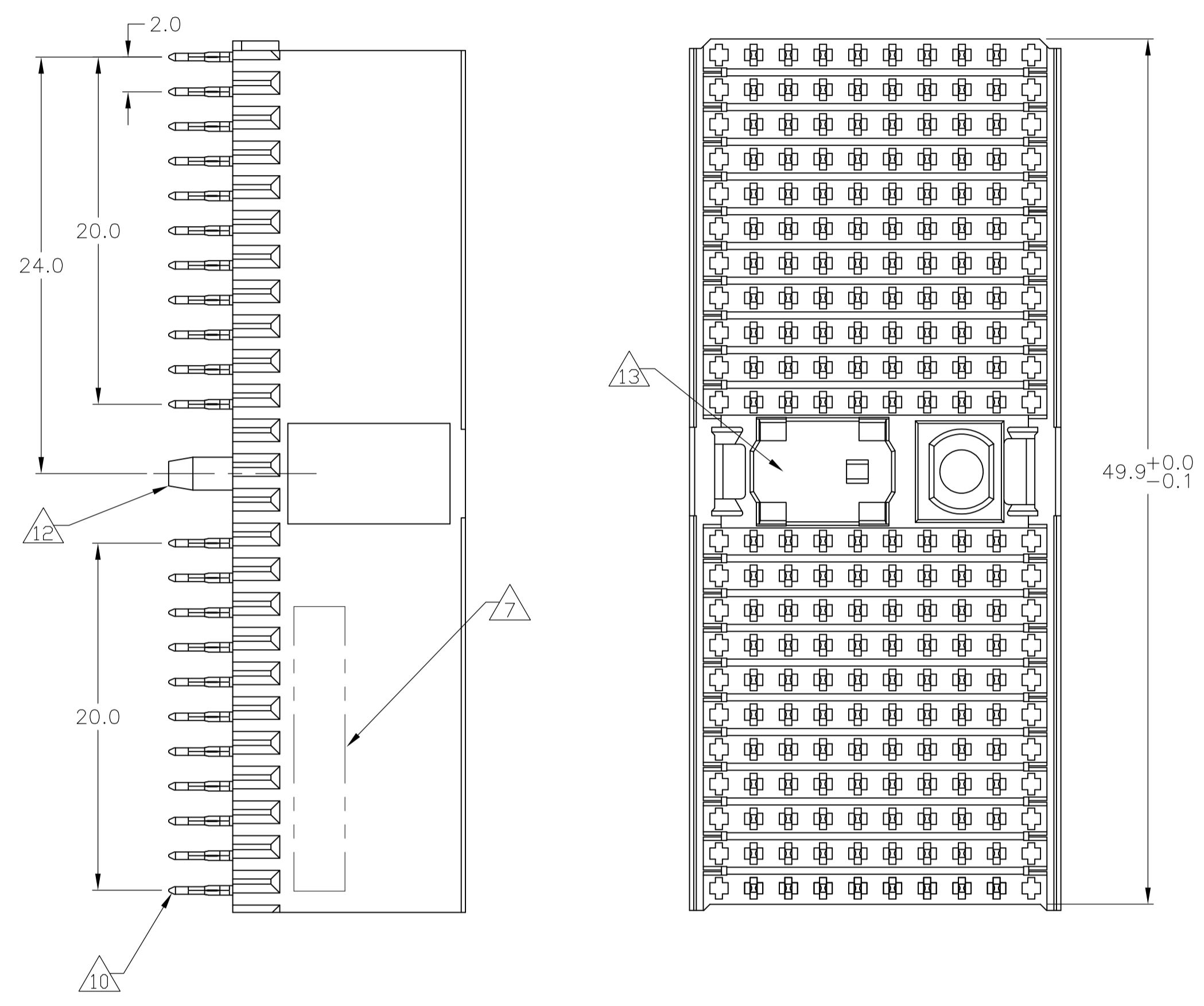
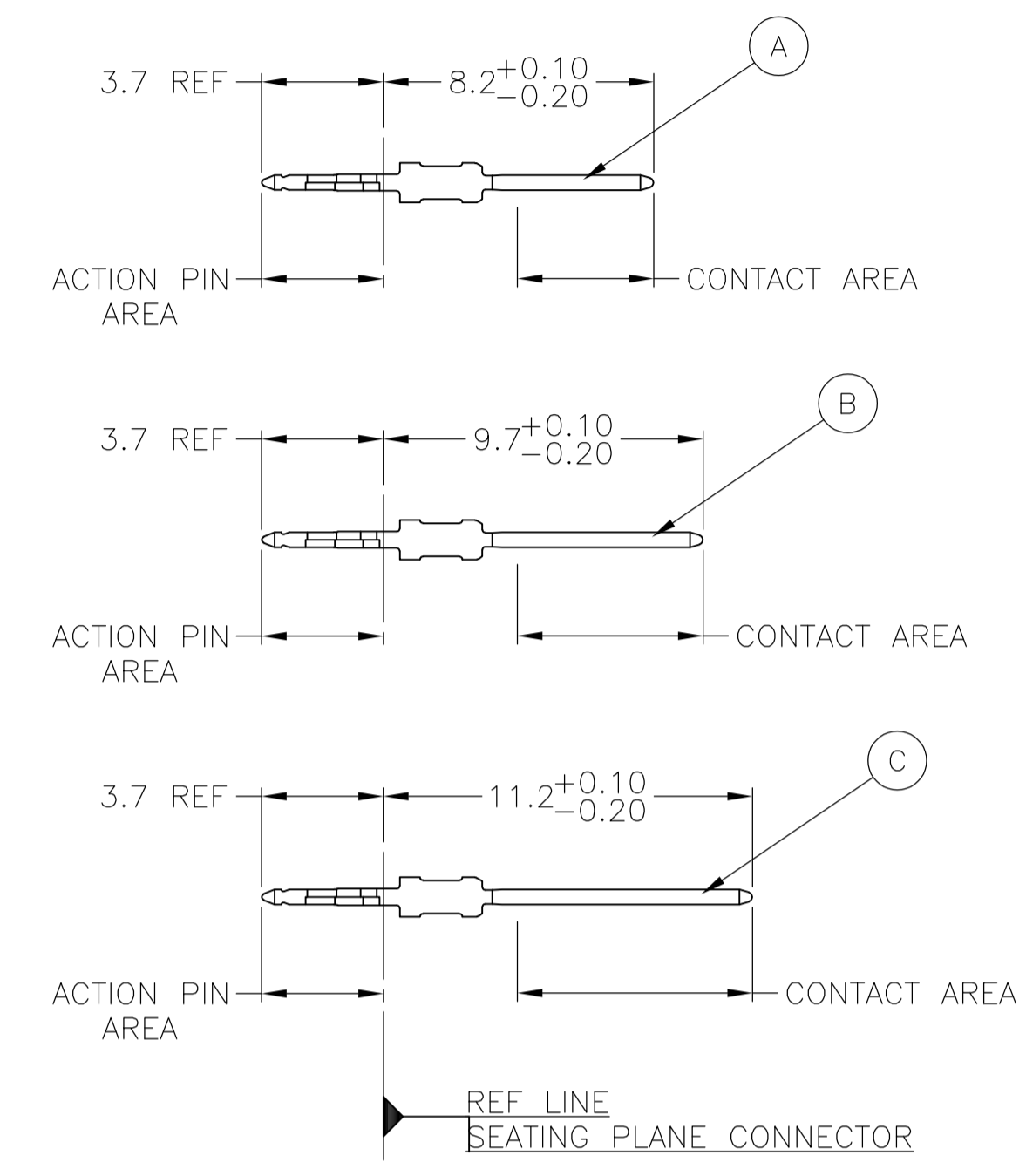


### CONNECTOR ASSEMBLY EXAMPLARY LOADED



### CONTACT DIMENSIONS

SCALE 5:1



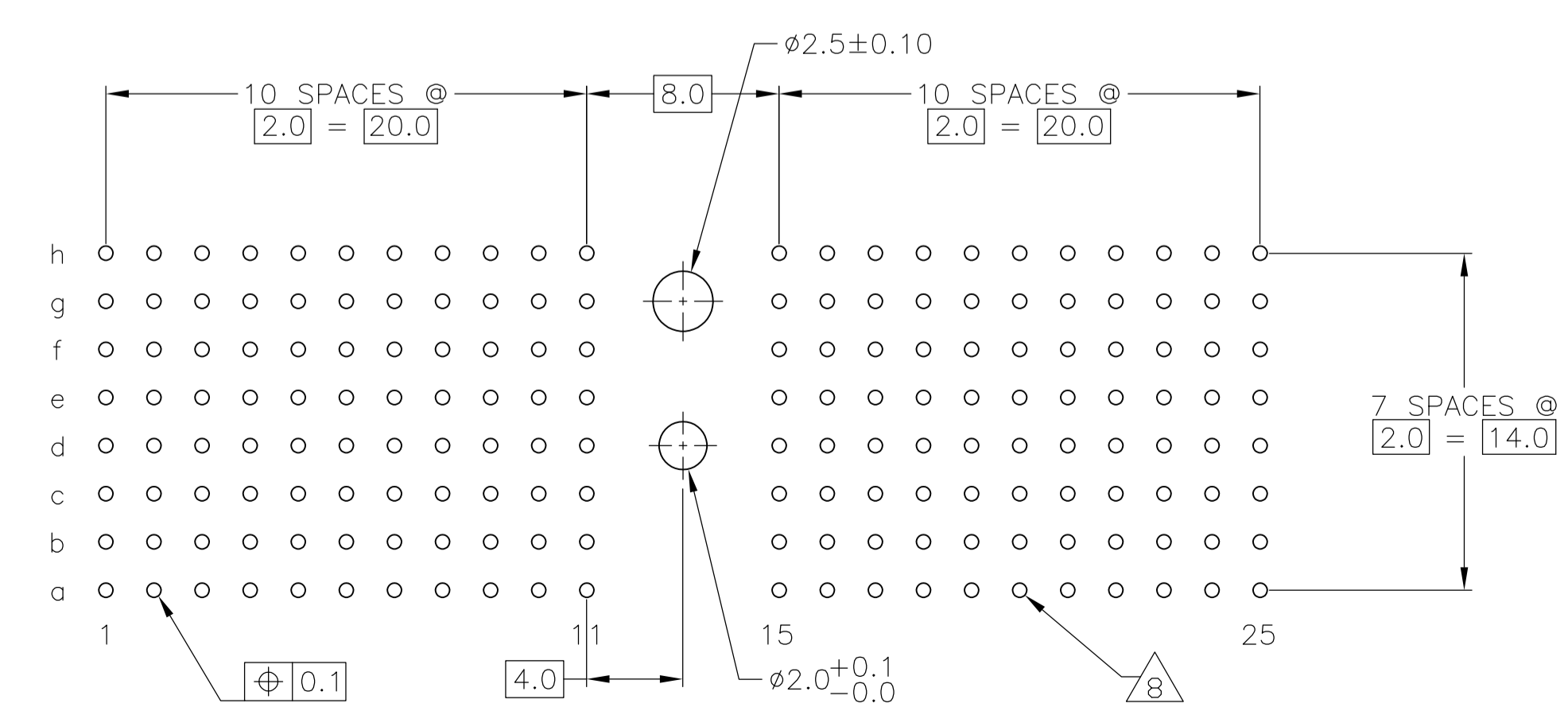
### CONTACT LAYOUT

	z	a	b	c	d	e	f	g	h	i
1	B	B	B	B	B	B	B	B		
2	C	B	B	B	B	B	B	C		
3	B	B	B	B	B	B	B	B		
4	C	B	B	B	B	B	B	C		
5	B	B	B	B	B	B	B	B		
6	C	B	B	B	B	B	B	C		
7	B	B	B	B	B	B	B	B		
8	B	B	B	B	B	B	B	B		
9	B	B	B	B	B	B	B	B		
10	B	B	B	B	B	B	B	B		
11	B	B	B	B	B	B	B	B		
MULTI PURPOSE CENTER										
15	B	B	B	B	B	B	B	B		
16	B	B	B	B	B	B	B	B		
17	B	B	B	B	B	B	B	B		
18	B	B	B	B	B	B	B	B		
19	B	B	B	B	B	B	B	B		
20	B	B	B	B	B	B	B	B		
21	B	B	B	A	B	B	B	B		
22	B	B	B	B	B	B	B	B		
23	C	B	B	B	B	B	B	C		
24	C	B	B	B	B	B	B	C		
25	C	B	B	B	B	B	B	C		

### RECOMMENDED PCB-HOLE LAYOUT COMPONENT SIDE SHOWN

### PLATED THRU HOLES PARAMETERS

REFERENCE APPLICATION SPECIFICATION



2	6	14	1-5646713-9
2	5	14	5646713-9
2	4		5646713-4
2	3		5646713-1
FINISH			PART NUMBER

THIS DRAWING IS A CONTROLLED DOCUMENT.

DIMENSIONS: mm	TOLERANCES UNLESS OTHERWISE SPECIFIED:	DWN: S. WAITMAN 15JUL05	Tyco Electronics Corporation Harrisburg, Pa 17105-3608
0 PLC ± - 1 PLC ± 0.1 2 PLC ± - 3 PLC ± - 4 PLC ± - ANGLES ± 1°	APVD: G. SKIPPER 15JUL05 PRODUCT SPEC: 108-1622 APPLICATION SPEC: 114-19029	NAME: MALE ASSEMBLY, Z-PACK 2mm HM, TYPE D	
MATERIAL: 1	FINISH: SEE TABLE	WEIGHT: -	RESTRICTED TO: -
CUSTOMER DRAWING		SCALE: 4:1	SHEET 1 OF 2 REV B

THIS DRAWING IS UNPUBLISHED. RELEASED FOR PUBLICATION  
COPYRIGHT BY TYCO ELECTRONICS CORPORATION. ALL RIGHTS RESERVED.

LOC		DIST		REVISIONS			
P	LTR	DESCRIPTION	DATE	DN	APVD		
AD	00	SEE SHEET 1	-	-	-	-	-

- 1 MATERIAL:  
CONTACT: PHOSPHOR BRONZE.  
HOUSING: GLASS-FILLED POLYESTER.
- 2 GENERAL PLATING SPECIFICATION: UNDERPLATING  
(ENTIRE CONTACT): 1.27µm MIN NICKEL AND ACTION  
PIN: 0.5µm MIN TIN.  
FOR PLATING OF MATING SURFACES SEE APPLICABLE  
SPECIFICATION REFERENCE FOR EACH DASH NUMBER.
- 3 CONFORMS TO ALL TESTING ACCORDING TO IEC 61076-4-101  
PERFORMANCE LEVEL 2.
- 4 CONFORMS TO ALL TESTING ACCORDING TO IEC 61076-4-101  
PERFORMANCE LEVEL 1.
- 5 CONNECTOR TESTED AND QUALIFIED AGAINST TELCORDIA GR-1217-CORE QUALITY LEVEL 3,  
CENTRAL OFFICE APPLICATIONS.
- 6 CONNECTOR TESTED AND QUALIFIED AGAINST TELCORDIA GR-1217-CORE QUALITY LEVEL 3,  
UNCONTROLLED ENVIROMENT APPLICATIONS.
- 7 CONNECTOR MARKED WITH PART NUMBER AND DATE CODE.  
ADDITIONAL CHARACTERS OR MARKINGS, AS WELL AS THE LOCATION OF THE MARKINGS,  
MAY BE ADDED FOR TRACEABILITY BASED UPON MANUFACTURERS DISCRETION.
- 8 PLATED-THROUGH HOLES AT 2x2mm SQUARE GRID  
PATTERN DEFINED BY CONTACT LAYOUT.
- 9 FOR ACTUAL PIN LOADING SEE "CONTACT LAYOUT".
- 10 FOR ACTUAL PIN DIMENSIONS SEE "CONTACT DIMENSIONS".
- 11 TO BE MEASURED AT BOTTOM OF SHROUD.
- 12 POLARIZATION FEATURE.
- 13 AREA RESERVED FOR KEYING PART (BASIC P/N 100525).
- 14 CONNECTOR LUBRICATED WITH BELCORE APPROVED LUBRICANT,  
TECHNICAL REFERENCE: TR-NWT-001217 ISSUE 1, SEP 1992.

THIS DRAWING IS A CONTROLLED DOCUMENT.		DN S. WAITMAN 15JUL05	<b>tyco</b> Electronics		Tyco Electronics Corporation Harrisburg, Pa 17105-3608	
DIMENSIONS: mm		CHK G. SKIPPER 15JUL05	NAME MALE ASSEMBLY, Z-PACK 2mm HM, TYPE D		RESTRICTED TO	
TOLERANCES UNLESS OTHERWISE SPECIFIED: 0. PLC ± - 1. PLC ± 0.1 2. PLC ± - 3. PLC ± - 4. PLC ± - ANGLES ± 1°		APVD G. SKIPPER 15JUL05	PRODUCT SPEC 108-1622		SIZE A1	
MATERIAL SEE SHEET 1		APPLICATION SPEC 114-19029		CAGE CODE 00779		DRAWING NO 5646713
FINISH SEE SHEET 1		WEIGHT -		SCALE 4:1		SHEET 2 OF 2 REV B
CUSTOMER DRAWING						