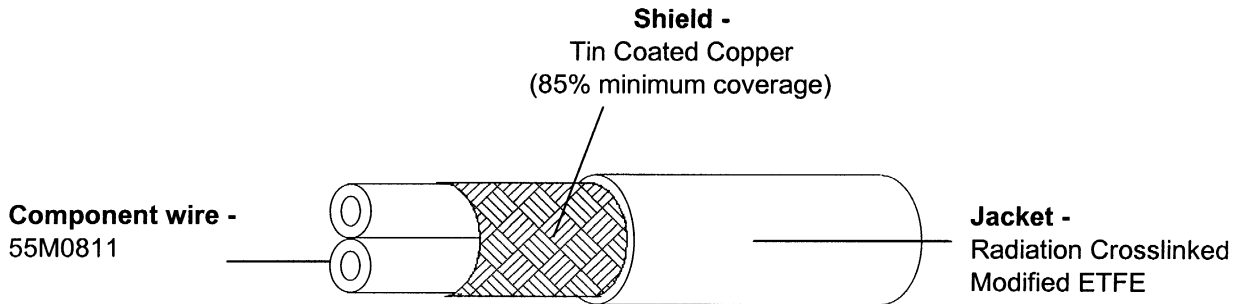


TWO CONDUCTOR CABLE, MODIFIED FLUOROPOLYMER INSULATED, SHIELDED AND JACKETED,
135°C, 600 VOLT, LIGHTWEIGHT

The complete requirements for procuring the wire described herein shall consist of this document.



Part Number	Wire Size	Shield Size (mm)	Jacket Thickness (mm)		Overall Diameter (mm)		Target Weight (kg/km)	Maximum Weight (kg/km)
			Min	Nom	Target	Max		
55M1821-22-*/*-*	22	0.10	0.15	0.20	3.43	3.58	20.1	20.7
55M1821-20-*/*-*	20	0.10	0.15	0.20	3.82	3.98	26.0	27.1
55M1821-18-*/*-*	18	0.10	0.15	0.20	4.39	4.57	34.8	36.5
55M1821-16-*/*-*	16	0.10	0.15	0.20	4.89	5.13	45.9	50.4
55M1821-14-*/*-*	14	0.10	0.18	0.20	5.50	5.80	57.8	61.6
55M1821-12-*/*-*	12	0.10	0.18	0.20	6.53	6.74	82.3	85.4

COLOUR CODE: The '**' in the part number shall be replaced by a standard colour code designator in accordance with Mil Std 681.
eg: 55M1821-20-2/6-9, cores red, blue, jacket white
Unless otherwise specified by the purchaser component colours to be red & blue.

PERFORMANCE REQUIREMENTS: To be tested to WSD 838 Issue 2.
Routine Ageing to 55A1821 SCD.

MARKING REQUIREMENT: Mark shall be Part Number-XX-J.
e.g. **55M1821-XX-J**
Where "XX" = AWG size,
and "J" = the Year Code in accordance with the table below

Code:	02	03	04	05	06	07	08
Year:	2002	2003	2004	2005	2006	2007	2008

DESIGN	PROD. MAN.	TECHNICAL	MANUFACTURE
<i>[Signature]</i> 26 Feb 2003	<i>[Signature]</i> 24/02/03	<i>[Signature]</i> 25 Feb 03	<i>[Signature]</i> 20/2/03