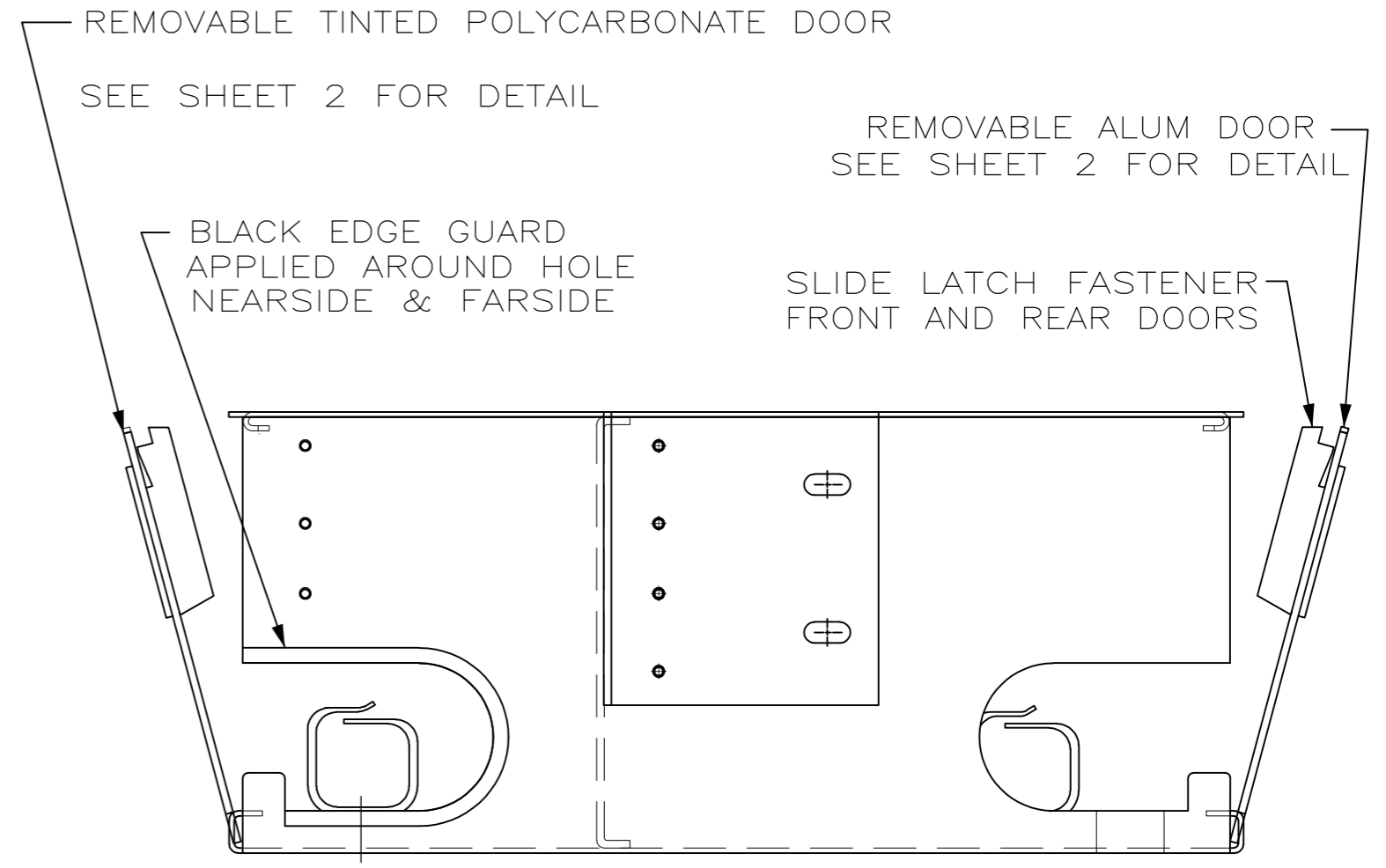
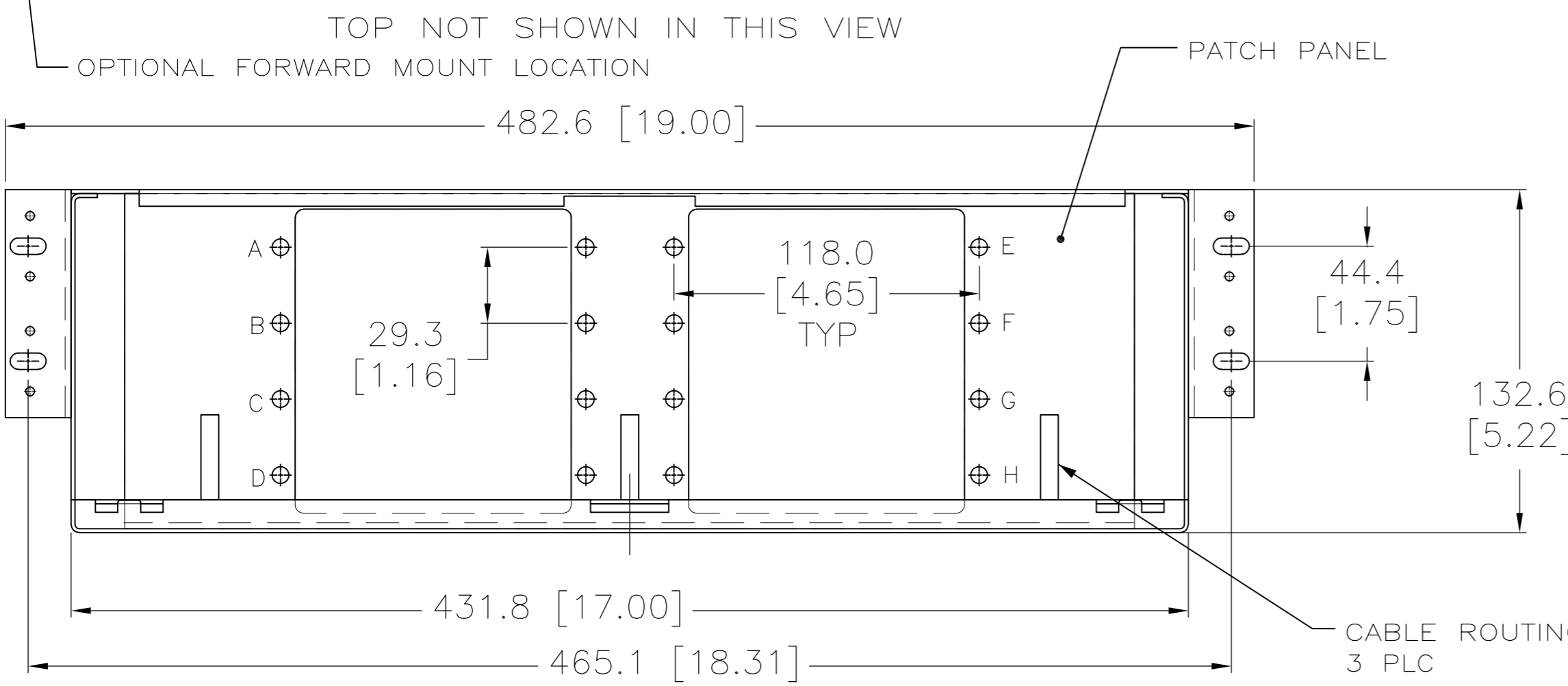
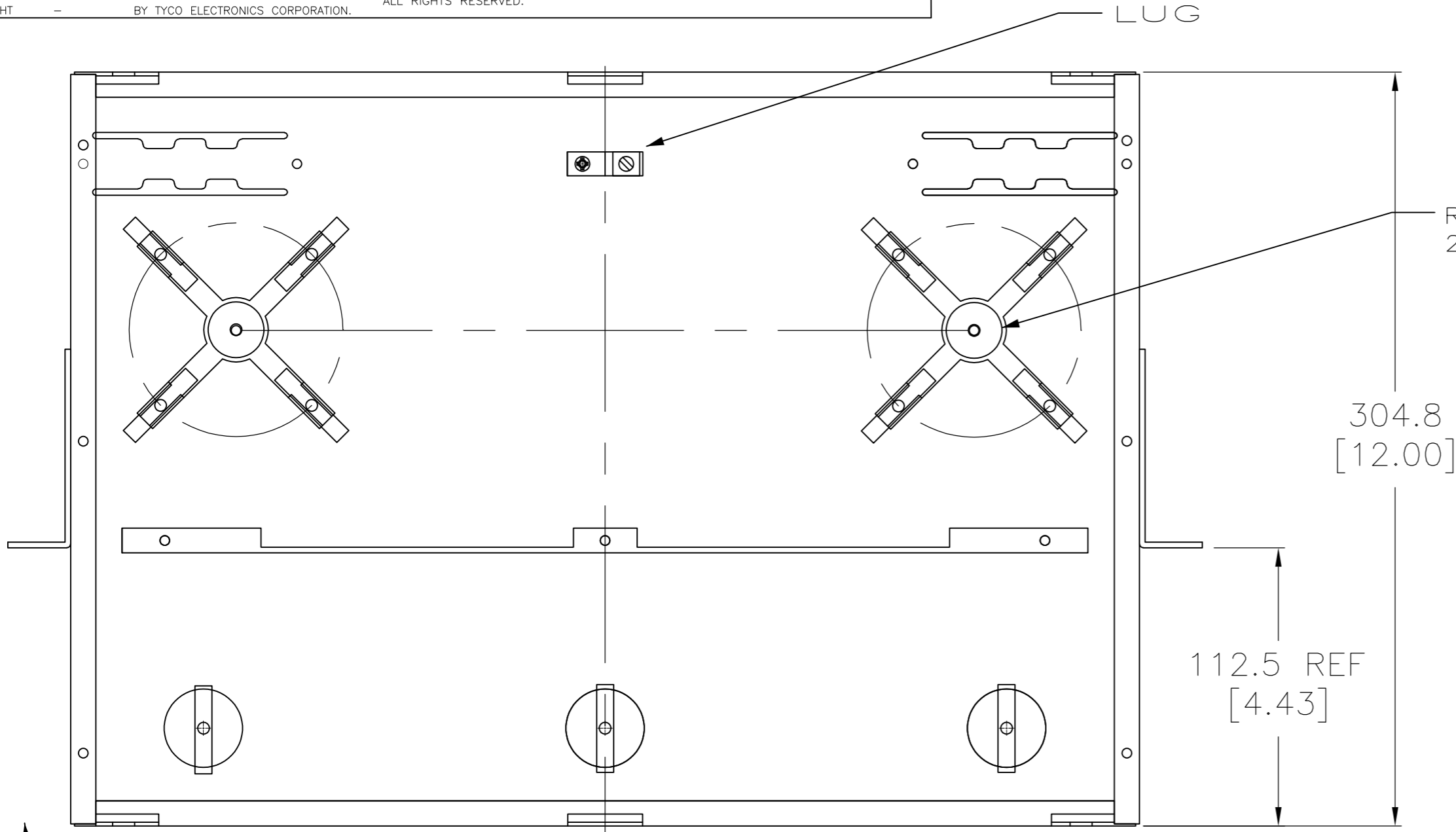


THIS DRAWING IS UNPUBLISHED. RELEASED FOR PUBLICATION
 © COPYRIGHT BY TYCO ELECTRONICS CORPORATION. ALL RIGHTS RESERVED.

LOC	DIST	REVISIONS			
P	LTR	DESCRIPTION	DATE	DWN	APVD
CE	16	E	ECO-13-016703	10APR2014	JM TE



SUPERSEDED BY 559614-2 AND (1) OF 1435187-2	BLACK	559614-4
SUPERSEDED BY 559614-1 AND (1) OF 1435187-1	LT ALMOND	559614-3
	BLACK	559614-2
	LT ALMOND	559614-1
	COLOR	PART NUMBER

- THE FOLLOWING LABELS ARE BAGGED AND PLACED IN THE ENCLOSURE
 2 24 LINE ADHEVSIVE BACKED LABELS
 2 WARNING LABELS
- FOUR (4) #12-24UNC-2A SCREWS ARE PROVIDED IN BAG INSIDE THE ENCLOSURE
- ENCLOSURE IS PROVIDED FOR 19" RACK MOUNTING BY REPOSITIONING MOUNTING BRACKETS IT CAN BE MOUNTED INTO A 23" RACK

THIS DRAWING IS A CONTROLLED DOCUMENT.

DWN WJ SOURBEER 04DEC00
 CHK J HOFFER
 APVD J HOFFER
 PRODUCT SPEC

TOLERANCES UNLESS OTHERWISE SPECIFIED:
 0 PLC ± -
 1 PLC ± -
 2 PLC ± 0.8[.03]
 3 PLC ± 0.25[.010]
 4 PLC ± -
 ANGLES ± -
 FINISH -

MATERIAL T00-231 ALUMINUM A95052

WEIGHT -

CUSTOMER DRAWING

AMP Tyco Electronics Corporation
 Harrisburg, Pa

NAME ENCL, 48 PORT DISTRIBUTION PATCH PANEL
 R MTD

SIZE A2 CAGE CODE 00779 DRAWING NO C=559614 RESTRICTED TO -

SCALE 1:2 SHEET 1 OF 2 REV E

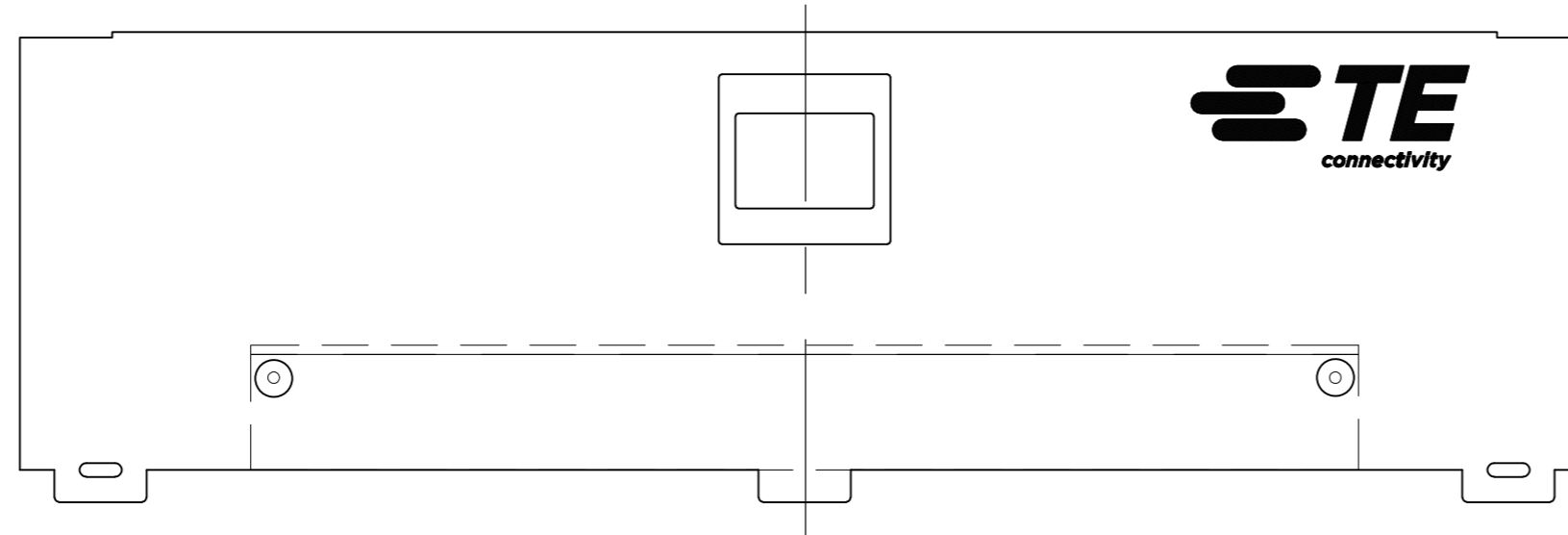
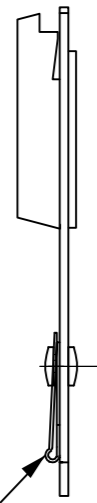
THIS DRAWING IS UNPUBLISHED. RELEASED FOR PUBLICATION
 © COPYRIGHT BY TYCO ELECTRONICS CORPORATION. ALL RIGHTS RESERVED.

LOC	DIST	REVISIONS			
P	LTR	DESCRIPTION	DATE	DWN	APVD
CE	16	SEE SHEET 1	-	-	-

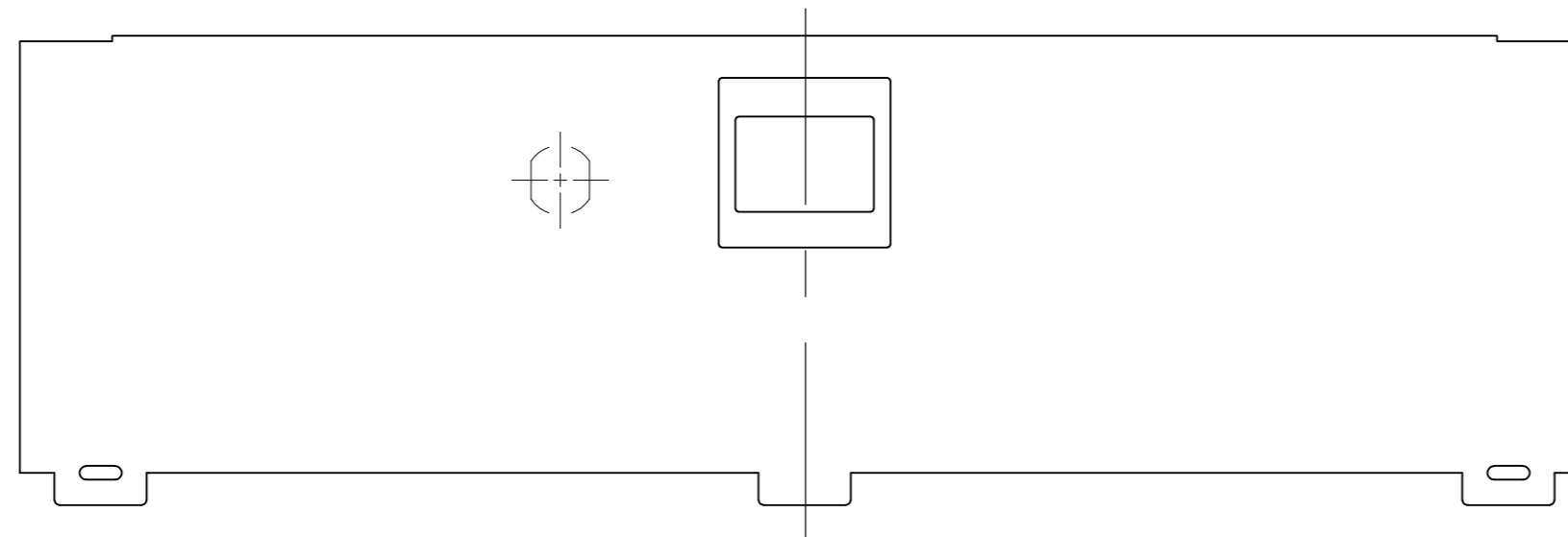
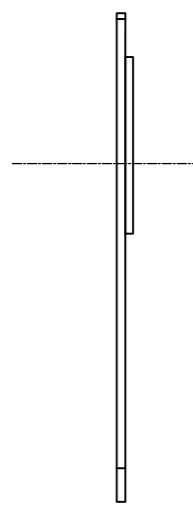
LABEL SHOWN REMOVED FROM HOLDER

	1	2	3	4	5	6	E	1	2	3	4	5	6
A													
B													
C													
D													

LABEL HOLDER



POLYCARBONATE DOOR w/ LABEL HOLDER FRONT



ALUMINUM DOOR REAR

THIS DRAWING IS A CONTROLLED DOCUMENT.		DWN WJ SOURBEER	04DEC00	AMP Tyco Electronics Corporation Harrisburg, Pa	
DIMENSIONS: MM		CHK J HOFFER	APVD J HOFFER	NAME ENCL, 48 PORT DISTRIBUTION PATCH PANEL R MTD	
TOLERANCES UNLESS OTHERWISE SPECIFIED: 0 PLC ± - 1 PLC ± - 2 PLC ± - 3 PLC ± - 4 PLC ± - ANGLES ± -		PRODUCT SPEC	APPLICATION SPEC	SIZE A2	CAGE CODE 00779
MATERIAL T00-231	FINISH -	WEIGHT -	DRAWING NO C=559614		RESTRICTED TO -
CUSTOMER DRAWING			SCALE 1:2	SHEET 2 OF 2	REV E