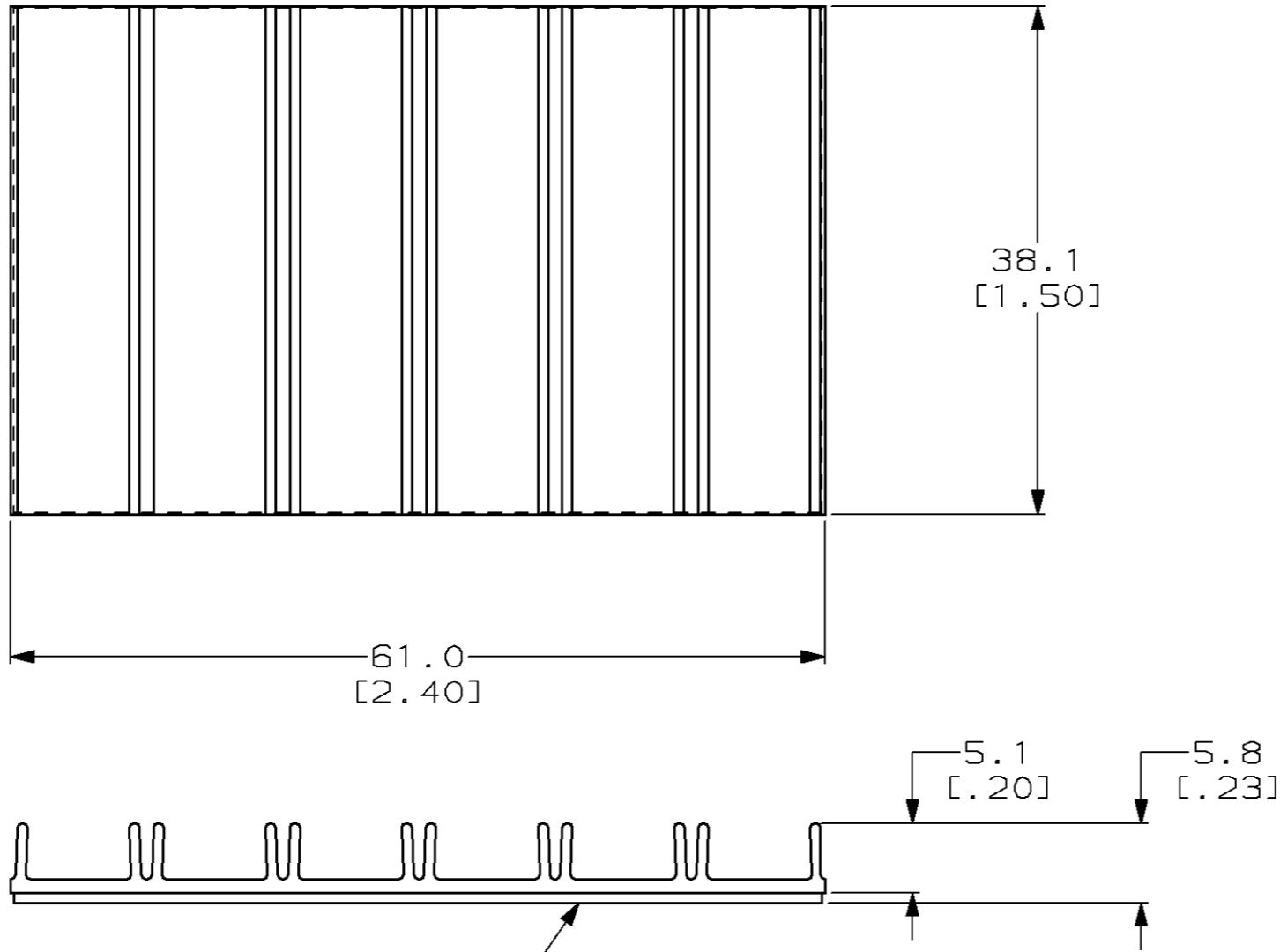


THIS DRAWING IS UNPUBLISHED. RELEASED FOR PUBLICATION, 19 .  
 © COPYRIGHT 19 BY AMP INCORPORATED. ALL INTERNATIONAL RIGHTS RESERVED.

LOC	DIST	P	F	REVISIONS			DATE	APPD
EW	16			ZONE	LTR	DESCRIPTION		
					0	REL PER NPR 94-18	3-8-94	RS/MF



TWO (2) SIDE ADHESIVE FOAM TAPE WITH REMOVABLE PAPER LINER

THIS DRAWING IS A CONTROLLED DOCUMENT FOR AMP INCORPORATED. IT IS SUBJECT TO CHANGE AND THE CONTROLLING ENGINEERING ORGANIZATION SHOULD BE CONTACTED FOR THE LATEST REVISION.

DO NOT SCALE PRINT. UNLESS SPECIFIED DIMENSIONS IN mm [INCHES] TOLERANCES ON: 2 PLC DEC ± 0.2 [.01] 3 PLC DEC ± 0.51 [.020] ANGLES ± -		DR 3-8-94 R R SCHAFER	<b>AMP</b> AMP Incorporated Harrisburg, PA 17105-3608
MATERIAL THERMOPLASTIC	CHK 3-8-94 M FASNACHT	NAME SPLICE HOLDER ASSEMBLY 6/SPLICES, CORELINK	
FINISH -	APPD 3-8-94 F SHAY	APPD 3-8-94 J EBERLE	SIZE B
	PRODUCT SPEC -	APPLICATION SPEC -	CAGE CODE 00779
	WEIGHT -		DRAWING NO C-559066
			SCALE 2:1
			SHEET 1 OF 1

559066-1  
PART NO